

JERR-DAN[®]

Illustrated Parts Manual

Model JD MPL40 STANDARD DUTY WRECKER

SN 0230015584 to Present

**Including 0230010532,0230010924-0230010930,0230011032,
0230011121-0230011129,0230011301-0230011319,0230011491-0230011510**

P/N

5376000281

November 1, 2023 - Rev A

JERR-DAN[®]

An Oshkosh Corporation Company

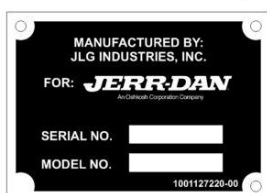
GENERAL INFORMATION

JerrDan, LLC (Jerr-Dan) strives to provide information that is accurate, complete and useful. Descriptions and illustrative material contained within this manual are as accurate as known at the time of publication and are subject to change, without notice, as a result of continuous product improvements. Jerr-Dan reserves the right to amend the information in this document at any time without prior notice.

Information contained in this manual reflects how this vehicle was built at the factory. Modifications or additions by the distributor or owner are not reflected in this manual.

This parts manual does not include service parts information for the commercial chassis (IHC, Ford, GM, etc.). That information is provided by the chassis manufacturer.

When ordering parts, please refer to your unit's Serial Number and Model Number. This information is be found on the aluminum tag riveted to the inside of the driver's side rear compartment of the main body.



Additional or replacement manuals can be ordered by calling Jerr-Dan Parts at 717-597-7111. Price and availability will be quoted at time of the request.

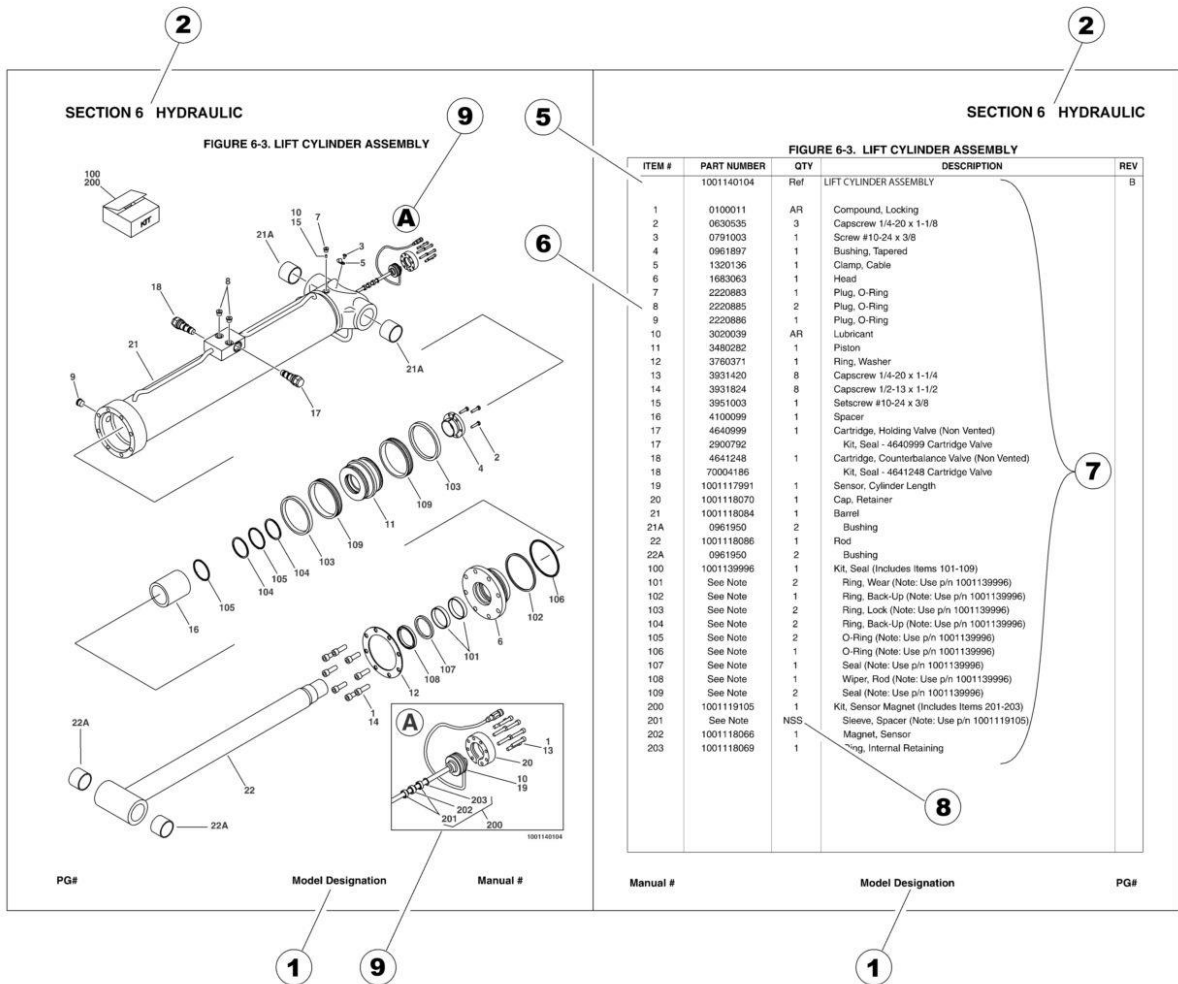
Please report comments and/or errors by contacting Jerr-Dan. Contact numbers are located on rear cover of Manual.

Manufactured under one or more of the following patents: 5,575,606; 5,672,042; 5,697,741; 5,713,714; 5,722,810; 5,782,596; 5,839,775 and 6,315,515 B1 with other Patents Pending.

Jerr-Dan and the Jerr-Dan logo are registered trademarks and Run Hard is a service mark of JerrDan, LLC, Hagerstown, MD USA.

The material in this document is confidential and the property of Jerr-Dan. No part of this document may be photocopied, reproduced or translated to another language without the express written consent of Jerr-Dan.

GENERAL INFORMATION



1) MACHINE IDENTIFICATION

Machines are identified by model and in some cases a combination of models, serial number (SN) or regional standard (i.e ANSI, CE, CSA). Components may also be identified by SN or manufacturer. Common components that may be identified by these characteristics are engines and hydraulic components.

2) PARTS MANUAL ORGANIZATION

Product information in this manual is organized under section titles. Subframe, Hydraulic and Electrical are a few examples. Each section is organized by figure and page number. The information within the Figure is then organized by item number, part number, description and corresponding illustration (s).

3) TABLE OF CONTENTS (NOT SHOWN)

A table of contents is found toward the beginning of the manual. Figure number, description and page number are provided for quick reference to the page containing the related information.

4) BUILD DOCUMENTS (NOT SHOWN)

The Build Documents, located near the end of the manual, reference components not available at the purchase level. These PN's list assembly instructions and assist in the maintenance of the parts manual.

GENERAL INFORMATION

5) NON-SERVICED PARTS

In some instances, it is necessary to display non-serviced parts, assemblies or installations. In the case of assemblies and installations there will be a Ref in the Qty. column. In case of parts that are not available for service within assemblies or components, there will be a NSS (Not Sold Separately) or NLA (No Longer Available) listed in the Qty. column of the manual.

6) PARTS LIST ITEM NUMBERS

Numbers shown in the item# column correspond to numbers used in the associated illustration (s). Item numbers which are missing from the sequence in the parts list are not used on that page.

7) INDENTED PARTS DESCRIPTION

An indented part description is included in the item under which it is indented.

8) ABBREVIATION AND SYMBOLS

AC.....	Alternating Current	L.....	Liter
ALUM.....	Aluminum	LD.....	Light Duty
AG.....	Agricultural	LB(LBS).....	Pounds
ANSI.....	American National Standards Institute	LCD.....	Liquid Crystal Display
AR.....	As Required	LED.....	Light Emitting Diodes
AUS.....	Australias	LH.....	Left Hand
ASSY.....	Assembly	M(m).....	Metric/Meter
AUX.....	Auxiliary	MD.....	Medium Duty
AWG.....	American Wire Gauge	MM (mm).....	Milimeter
CA.....	Cab To Axle	mA.....	Miliamps
CE.....	European Conformity	NLA.....	No Longer Available
CCW.....	Counter Clockwise	NPT.....	National Pipe Threads
CM.....	Centimeter	NSS.....	Not Sold Separately
CT.....	Cab To Tandem	OD.....	Outside Diameter
CW.....	Clockwise	ORB.....	O-Ring Boss
CSA.....	Canadian Standards Association	ORFS.....	O-Ring Face Seal
CYL.....	Cylinder	OZ (oz).....	Ounces
DIA.....	Diameter	PG.....	Page
DC.....	Direct Current	PN.....	Part Number
DOT.....	Department of Transportation	PTO.....	Power Take Off
EMS.....	Emergency Stop	QT(qt.).....	Quarts
ENG.....	Engine	QTY.....	Quantity
FT(ft).....	Feet	REF.....	Reference
GA(Ga).....	Gauge	REV.....	Revision Level
GAL.....	Gallons	RH.....	Right Hand
GVW.....	Gross Vehicle Weight	SAE.....	Society of Automotive Engineers
HD.....	Heavy Duty	SD.....	Standard Duty
HYD.....	Hydraulic	SN.....	Serial Number
Hz.....	Hertz	SPEC(S).....	Specifications
ID.....	Inside Diameter	SS.....	Stainless Steel
IN.....	inches	STD.....	Standards
IND.....	Independent	STL.....	Steel
IRL.....	Independent Reach/Lift	UGM.....	Universal Ground Module
INT.....	Integrated	V.....	Volts
ISO.....	International Organization for Standards	W.....	Watts
JIC.....	Joint Industry Council	WB.....	Wheel Base
KG.....	Kilogram	#.....	Number

9) ILLUSTRATION REFERENCE LETTERS

When necessary, illustrations may contain reference letters that are intended to track information (i. e. hoses, harnesses) from one point to another or to track visual enlargement of components to show details that may be located in another area on the illustration.

Note: Due to continuous product improvements, Jerr-Dan Corporation reserves the right to make specification changes without prior notification. Contact Jerr-Dan for updated information.

TABLE OF CONTENTS

SECTION 1 - SUBFRAME	11
FIGURE 1-1. SUBFRAME INSTALLATION.....	12
FIGURE 1-2. CHASSIS MOUNTING KIT - GENERIC.....	14
FIGURE 1-3. CHASSIS MOUNTING KIT - DODGE 2013+ WITH 60IN CA	16
FIGURE 1-4. CHASSIS MOUNTING KIT - DODGE 2013+ WITH 84IN CA	18
FIGURE 1-5. CHASSIS MOUNTING KIT - FORD DIESEL 2017+ WITH 60IN CA.....	20
FIGURE 1-6. CHASSIS MOUNTING KIT - FORD DIESEL 2017+ WITH 60IN CA.....	22
FIGURE 1-7. CHASSIS MOUNTING KIT - FORD DIESEL 2017+ WITH 84IN CA.....	26
FIGURE 1-8. CHASSIS MOUNTING KIT - FORD GAS 2017+ WITH 60IN CA.....	30
FIGURE 1-9. CHASSIS MOUNTING KIT - FORD GAS 2017+ WITH 84IN CA.....	34
FIGURE 1-10. CHASSIS MOUNTING KIT - CV515 2019+ WITH 141IN WB.....	38
FIGURE 1-11. CHASSIS MOUNTING KIT - CV515 2019+ WITH 165IN WB.....	40
FIGURE 1-12. CHASSIS MOUNTING KIT - CV515 2019+ WITH 141IN WB.....	42
FIGURE 1-13. CHASSIS MOUNTING KIT - CV515 2019+ WITH 165IN WB.....	44
SECTION 2 - BOOM	47
FIGURE 2-1. MAIN BOOM INSTALLATION.....	48
FIGURE 2-2. CYLINDER ASSEMBLY – LIFT (KNEE BOOM)	50
FIGURE 2-3. FLY BOOM INSTALLATION	52
FIGURE 2-4. CYLINDER ASSEMBLY - EXTEND/RETRACT (KNEE BOOM FLY).....	54
FIGURE 2-5. WINCH INSTALLATION - DUAL.....	56
FIGURE 2-6. WINCH HANDLE INSTALLATION - DUAL	58
FIGURE 2-7. WINCH ASSEMBLY - LH.....	60
FIGURE 2-8. WINCH ASSEMBLY - RH	62
FIGURE 2-9. WINCH MOTOR ASSEMBLY	64
FIGURE 2-10. CABLE ASSEMBLY - SWIVEL HOOK (DUAL).....	66
FIGURE 2-11. CABLE TENSIONER INSTALLATION	68
FIGURE 2-12. TOW SLING INSTALLATION	70
FIGURE 2-13. TOW SLING KIT	72
SECTION 3 - UNDERLIFT	75
FIGURE 3-1. CYLINDER ASSEMBLY - TILT (UNDERLIFT).....	76
FIGURE 3-2. CYLINDER ASSEMBLY - EXTEND/RETRACT (UNDERLIFT).....	78
FIGURE 3-3. CYLINDER ASSEMBLY - HYDRAULIC GRID.....	80
FIGURE 3-4. GRID INSTALLATION - MANUAL.....	82
FIGURE 3-5. GRID SYSTEM INSTALLATION - HYDRAULIC	84
FIGURE 3-6. GRID SYSTEM INSTALLATION - HYDRAULIC	86
FIGURE 3-7. TOW BALL BRACKET INSTALLATION.....	88
FIGURE 3-8. UNDERLIFT INSTALLATION - HYDRAULIC GRID.....	90
FIGURE 3-9. UNDERLIFT INSTALLATION - MANUAL GRID	92
FIGURE 3-10. UNDERLIFT BOOM ASSEMBLY - HYDRAULIC GRIDS.....	94
FIGURE 3-11. UNDERLIFT BOOM ASSEMBLY - MANUAL GRID.....	96
SECTION 4 - BODY	99
FIGURE 4-1. BODY COVERS RAIL INSTALLATION (BODY MOUNTED PYLON).....	100

TABLE OF CONTENTS

FIGURE 4-2. BODY COVERS NO RAIL INSTALLATION (BODY MOUNTED PYLON)	102
FIGURE 4-3. BODY COVERS RAILS INSTALLATION (TUNNEL MOUNTED PYLON)	104
FIGURE 4-4. BODY COVERS NO RAILS INSTALLATION (TUNNEL MOUNTED PYLON)	106
FIGURE 4-5. BODY INSTALLATION	108
FIGURE 4-6. BODY INSTALLATION - NO FUEL FILLER	110
FIGURE 4-7. DECK RAILS INSTALLATION - COVERS	112
FIGURE 4-8. DECK RAILS INSTALLATION - NO COVERS	114
FIGURE 4-9. DECK SIDE PANEL ASSEMBLY - LH (FUEL FILLER)	116
FIGURE 4-10. DECK SIDE PANEL ASSEMBLY - LH (NO FUEL FILLER)	118
FIGURE 4-11. DECK SIDE PANEL ASSEMBLY - RH	120
FIGURE 4-12. FENDER FLARE INSTALLATION	122
FIGURE 4-13. MID DECK COVER PLATES INSTALLATION	124
FIGURE 4-14. PYLON INSTALLATION - LOW CAB	126
FIGURE 4-15. PYLON INSTALLATION - HIGH CAB	128
FIGURE 4-16. PYLON INSTALLATION - ADJUSTABLE	130
FIGURE 4-17. PYLON HOOPS & MOUNTS INSTALLATION	132
FIGURE 4-18. TOOL BOX - FLOOR MATS INSTALLATION	134
FIGURE 4-19. TOOL BOX - FLOOR MATS INSTALLATION (WITH L_ARM SPACER STORAGE)	136
FIGURE 4-20. TUNNEL INSTALLATION	138
FIGURE 4-21. TUNNEL ASSEMBLY - 24IN	140
SECTION 5 - CONTROLS	143
FIGURE 5-1. CONTROLS INSTALLATION - 12 FUNCTION (MANUAL GRID)	144
FIGURE 5-2. CONTROLS INSTALLATION - 14 FUNCTION (HYDRAULIC GRID)	146
FIGURE 5-3. UNDERLIFT ELECTRICAL CONTROLS INSTALLATION	148
SECTION 6 - HYDRAULIC	151
FIGURE 6-1. HOSE INSTALLATION - STANDARD	152
FIGURE 6-2. HOSE INSTALLATION - STANDARD	154
FIGURE 6-3. HOSE INSTALLATION - STANDARD	156
FIGURE 6-4. HOSE INSTALLATION - WITH UNDERLIFT SHEAVE (NO SPADE)	160
FIGURE 6-5. HOSE INSTALLATION - WITH UNDERLIFT SHEAVE (NO SPADE)	162
FIGURE 6-6. HOSE INSTALLATION - WITH UNDERLIFT SHEAVE (NO SPADE)	164
FIGURE 6-7. HOSE INSTALLATION - HYDRAULIC GRIDS	168
FIGURE 6-8. HOSE AND CLAMP INSTALLATION - SP GENERIC	170
FIGURE 6-9. HOSE AND CLAMP INSTALLATION (CV515 - 141IN WB - LH PTO)	172
FIGURE 6-10. HOSE AND CLAMP INSTALLATION (CV515 - 165IN WB - LH PTO)	174
FIGURE 6-11. HOSE AND CLAMP INSTALLATION (CV515 - 175IN WB - LH PTO)	176
FIGURE 6-12. HOSE AND CLAMP INSTALLATION (CV515 - 199IN WB - LH PTO)	178
FIGURE 6-13. HOSE AND CLAMP INSTALLATION (CV515 - 141IN WB)	180
FIGURE 6-14. HOSE AND CLAMP INSTALLATION (CV515 - 165IN WB)	182
FIGURE 6-15. HOSE AND CLAMP INSTALLATION (CV515 - 175IN WB)	184
FIGURE 6-16. HOSE AND CLAMP INSTALLATION (CV515 - 199IN WB)	186
FIGURE 6-17. HOSE AND CLAMP INSTALLATION (DODGE D-CP - 144IN WB)	188
FIGURE 6-18. HOSE AND CLAMP INSTALLATION (DODGE D-CP - 173IN WB)	190
FIGURE 6-19. HOSE AND CLAMP INSTALLATION (DODGE D-CP - 197IN WB)	192

TABLE OF CONTENTS

FIGURE 6-20. HOSE AND CLAMP INSTALLATION (FORD PTO - 145IN WB)	194
FIGURE 6-21. HOSE AND CLAMP INSTALLATION (FORD PTO - 167-169IN WB)	196
FIGURE 6-22. HOSE AND CLAMP INSTALLATION (FORD PTO - 179IN WB)	198
FIGURE 6-23. HOSE AND CLAMP INSTALLATION (FORD PTO - 192IN WB)	200
FIGURE 6-24. HOSE AND CLAMP INSTALLATION (FORD PTO - 203IN WB)	202
FIGURE 6-25. TANK (HYDRAULIC) INSTALLATION.....	204
FIGURE 6-26. VALVE INSTALLATION - MPL	206
FIGURE 6-27. VALVE ASSEMBLY - MPL.....	208
SECTION 7 - ELECTRICAL	211
FIGURE 7-1. BACKUP CAMERA, REAR VIEW MIRROR	212
FIGURE 7-2. BACKUP CAMERA, CHASSIS SUPPLIED.....	214
FIGURE 7-3. BACK UP CAMERA INSTALLATION - CHASSIS SUPPLIED (CV515 ONLY)	216
FIGURE 7-4. BODY WIRING INSTALLATION	218
FIGURE 7-5. BODY HARNESS - LH.....	220
FIGURE 7-6. BODY HARNESS - RH	222
FIGURE 7-7. BREAKER INSTALLATION - 50A.....	224
FIGURE 7-8. CAB SUBFRAME HARNESS	226
FIGURE 7-9. CONTROL STATION HARNESS.....	228
FIGURE 7-10. HEADBOARD HARNESS - BODY MOUNT.....	230
FIGURE 7-11. LIGHTS INSTALLATION - 4 TAILLIGHT	232
FIGURE 7-12. LIGHT - LIGHTBAR INSTALLATION - 60IN AMBER ECCO (STANDARD MOUNT)	234
FIGURE 7-13. LIGHT - LIGHTBAR INSTALLATION - 60IN AMBER 8 LED WHELEN (STANDARD MOUNT)	236
FIGURE 7-14. LIGHT - LIGHTBAR INSTALLATION - 60IN AMBER ECCO (HIGH MOUNT)	238
FIGURE 7-15. LIGHT - LIGHTBAR INSTALLATION - 60IN AMBER 8 LED WHELEN (HIGH MOUNT)	240
FIGURE 7-16. LIGHT - LIGHTBAR BRACKET INSTALLATION (FOLDING).....	242
FIGURE 7-17. LIGHTS - PYLON 3-LIGHT MARKER INSTALLATION	244
FIGURE 7-18. LIGHT - WORKLIGHTS INSTALLATION (LOWER HOOK UP MOUNTED).....	246
FIGURE 7-19. LIGHT - WORKLIGHT INSTALLATION (PYLON MOUNTED).....	248
FIGURE 7-20. LIGHTS LIGHBAR ASSEMBLY - 60IN AMBER 8 LED WHELEN	250
FIGURE 7-21. LIGHTS LIGHBAR ASSEMBLY - 60IN AMBER 8 LED WHELEN	252
FIGURE 7-22. LIGHTS LIGHBAR ASSEMBLY - 60IN AMBER ECCO	256
FIGURE 7-23. MAIN CONTROL VALVE HARNESS INSTALLATION - REMOTE MEMBRANE	258
FIGURE 7-24. MAIN CONTROL HARNESS	260
FIGURE 7-25. PTO ELECTRICAL ASSEMBLY - FORD PTO.....	262
FIGURE 7-26. PYLON HEADBOARD HARNESS	264
FIGURE 7-27. REMOTE CONTROL HOLDER INSTALLATION.....	266
FIGURE 7-28. REMOTE CONTROL INSTALLATION - 8 FUNCTION	268
FIGURE 7-29. REMOTE CONTROL INSTALLATION - 14 FUNCTION	270
FIGURE 7-30. REMOTE CONTROL HARNESS	272
FIGURE 7-31. SWITCH PANEL INSTALLATION - 2 FUNCTION	274
FIGURE 7-32. SWITCH PANEL INSTALLATION - 3 FUNCTION (IN DASH COMPACT)	276
FIGURE 7-33. SWITCH PANEL ASSEMBLY - 3 FUNCTON (UNDER DASH COMPACT)	278
FIGURE 7-34. SWITCH PANEL INSTALLATION - 3 FUNCTION (CV515 OEM).....	280
FIGURE 7-35. SWITCH PANEL INSTALLATION – 4 FUNCTION	282
FIGURE 7-36. SWITCH PANEL ASSEMBLY - 5 FUNCTON (IN DASH COMPACT)	284

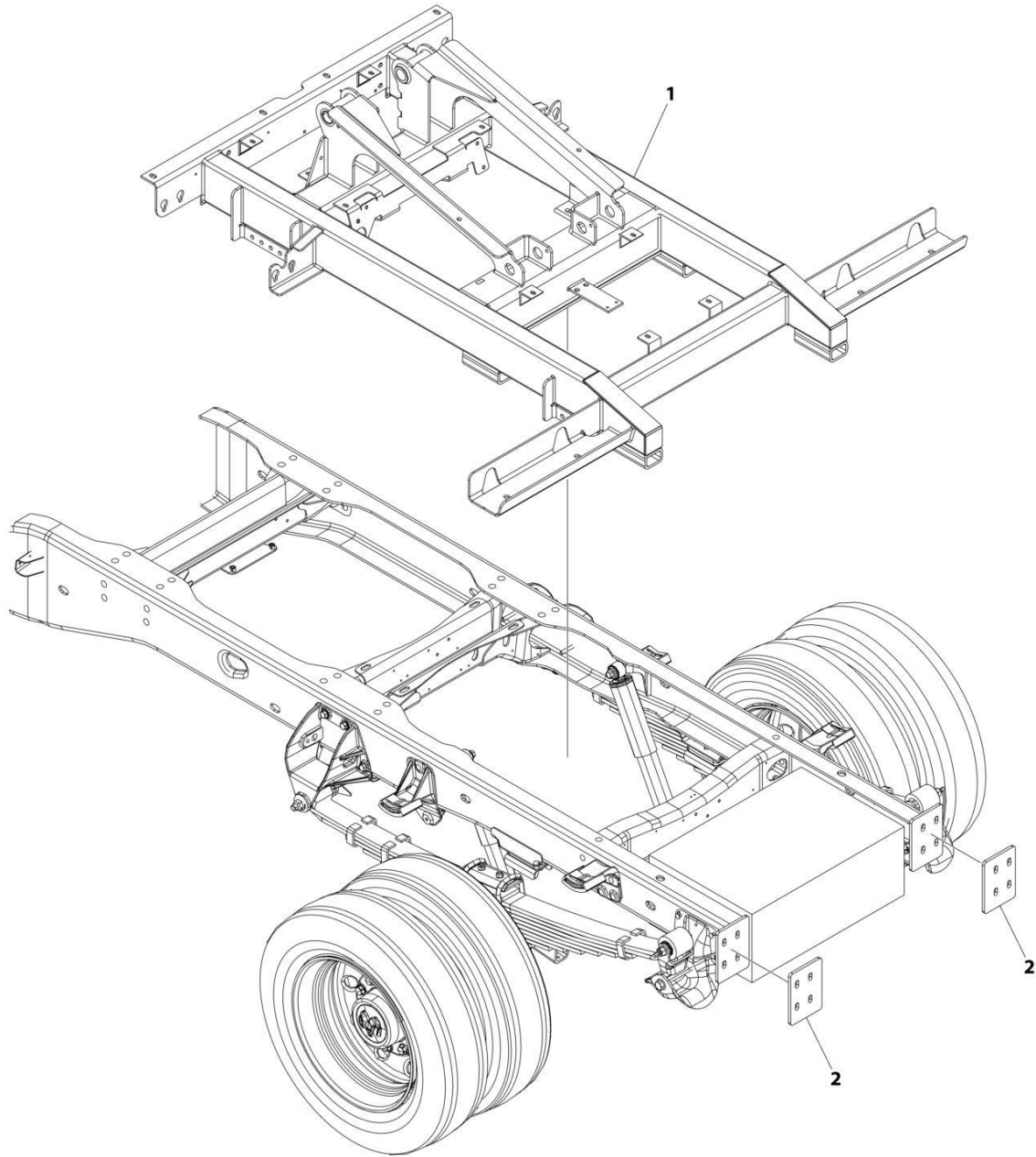
TABLE OF CONTENTS

FIGURE 7-37. SWITCH PANEL ASSEMBLY - 5 FUNCTION (UNDER DASH COMPACT).....	286
FIGURE 7-38. SWITCH PANEL INSTALLATION - 5 FUNCTION (DODGE 2013)	288
FIGURE 7-39. SWITCH PANEL INSTALLATION - 6 FUNCTION.....	290
FIGURE 7-40. TRAILER PLUG INSTALLATION	292
FIGURE 7-41. TUNNEL HARNESS.....	294
FIGURE 7-42. WIRED REMOTE HARNESS	296
SECTION 8 - DECAL.....	299
FIGURE 8-1. DECAL INSTALLATION	300
FIGURE 8-2. LUBRICATION DECALS AND CAPS INSTALLATION.....	302
SECTION 9 - ACCESSORIES.....	305
FIGURE 9-1. KITS LIST	306
FIGURE 9-2. DOLLIES INSTALLATION	308
FIGURE 9-3. DOLLIES ASSEMBLY	310
FIGURE 9-4. D-RING INSTALLATION - NO TOW SLING	312
FIGURE 9-5. D-RING INSTALLATION - WITH TOW SLING	314
FIGURE 9-6. FIRE EXTINGUISHER.....	316
FIGURE 9-7. LOW ANGLE RECOVERY SHEAVE.....	318
FIGURE 9-8. MUDFLAPS INSTALLATION (CUSTOMER SUPPLIED)	320
FIGURE 9-9. MUDFLAPS INSTALLATION (FACTORY SUPPLIED)	322
FIGURE 9-10. SAFETY TRIANGLE KIT	324
FIGURE 9-11. SPADE FOOT ATTACHMENT	326
SECTION 10 - BUILD DOCUMENTS	329
FIGURE 10-1. BUILD DOC_5376000281	330
PART NUMBER INDEX.....	333

SECTION 1 - SUBFRAME

SECTION 1 - SUBFRAME

FIGURE 1-1. SUBFRAME INSTALLATION



ART_1001295185

SECTION 1 - SUBFRAME

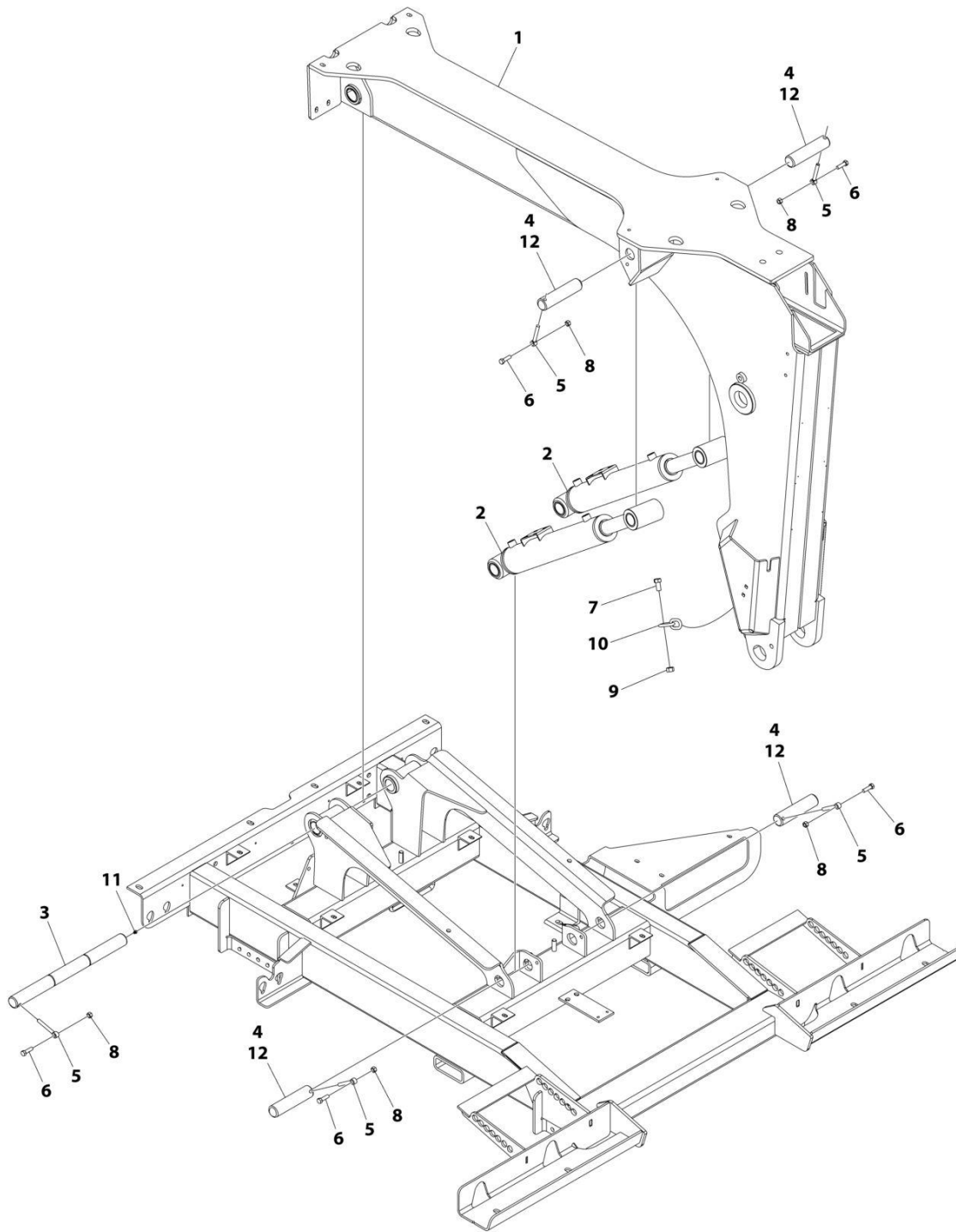
FIGURE 1-1. SUBFRAME INSTALLATION

ITEM	PART NUMBER	QTY	DESCRIPTION	REV
	1001295185	Ref	SUBFRAME INSTALLATION	A
1	1001295181	1	Subframe	
2	1001290224	2	Plate	

SECTION 2 - BOOM

SECTION 2 - BOOM

FIGURE 2-1. MAIN BOOM INSTALLATION



ART_1001196323

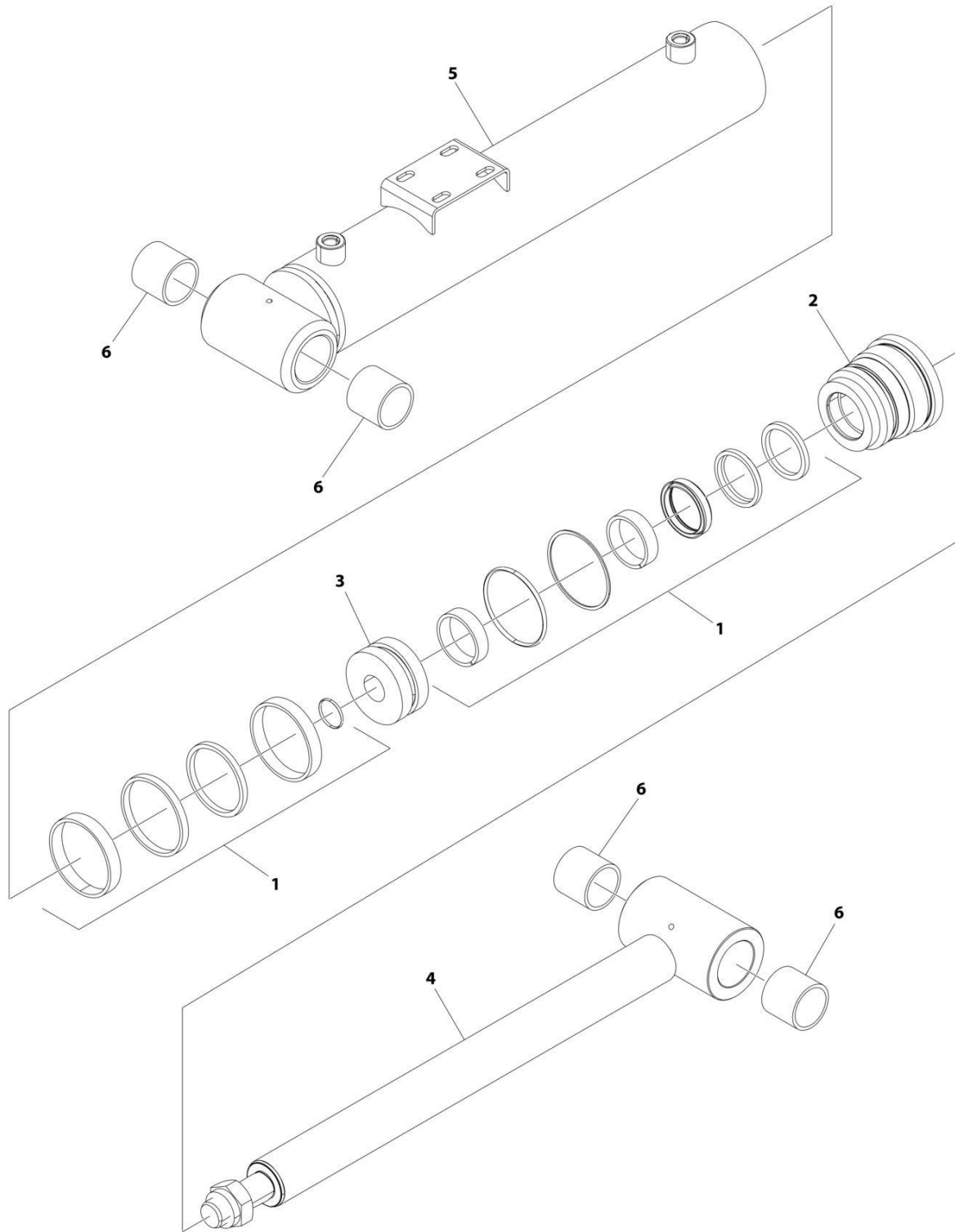
SECTION 2 - BOOM

FIGURE 2-1. MAIN BOOM INSTALLATION

ITEM	PART NUMBER	QTY	DESCRIPTION	REV
	1001196322	Ref	MAIN BOOM INSTALLATION (WITH FLY BOOM)	A
1	1001196264	1	Boom, Knee	
1	0962272	1	Bushing	
2	1001194362	2	Cylinder Assembly - Lift (See Separate Breakdown in this Section)	
3	1001191714	1	Pin	
4	1001191716	4	Pin	
5	3841143	5	Keeper	
6	0681610	5	Bolt 3/8 x 1-1/4 Grade 8	
7	0641808	2	Bolt 1/2 x 1	
8	3271605	5	Nut 3/8 Grade 8	
9	3271805	2	Nut 1/2	
10	7262000040	2	Chain	
11	1001204776	1	Plug	
12	3020039	AR	Lubricant	

SECTION 2 - BOOM

FIGURE 2-2. CYLINDER ASSEMBLY – LIFT (KNEE BOOM)



ART_1001194362

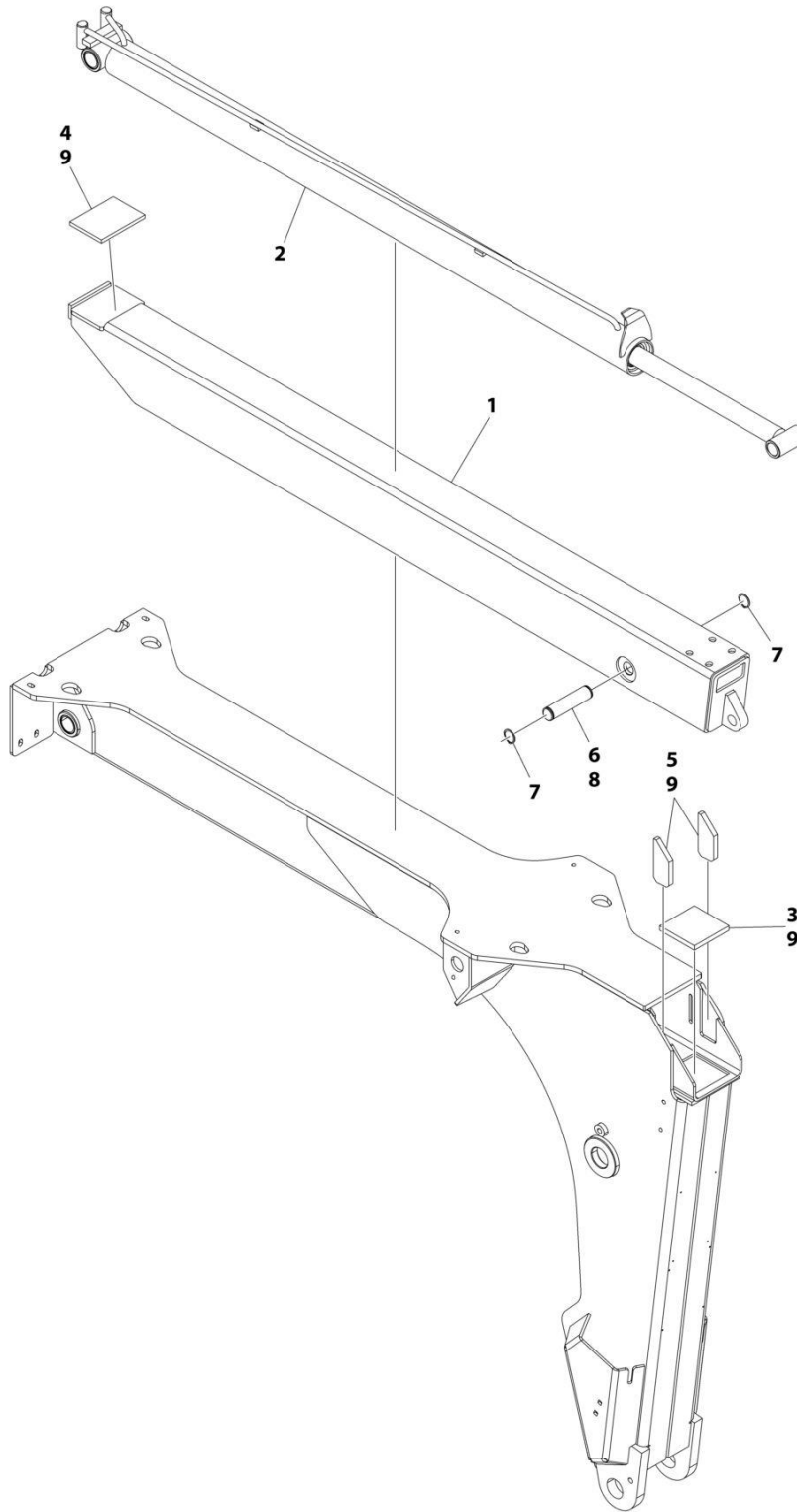
SECTION 2 - BOOM

FIGURE 2-2. CYLINDER ASSEMBLY – LIFT (KNEE BOOM)

ITEM	PART NUMBER	QTY	DESCRIPTION	REV
	1001194362	Ref	CYLINDER ASSEMBLY - LIFT (KNEE BOOM)	B
1	70051621	1	Seal Kit - Cylinder	
2	70051622	1	Head	
3	70051623	1	Piston	
4	70051624	1	Rod	
5	70051625	1	Barrel	
6	0962272	4	Bushing (Barrel & Rod)	

SECTION 2 - BOOM

FIGURE 2-3. FLY BOOM INSTALLATION



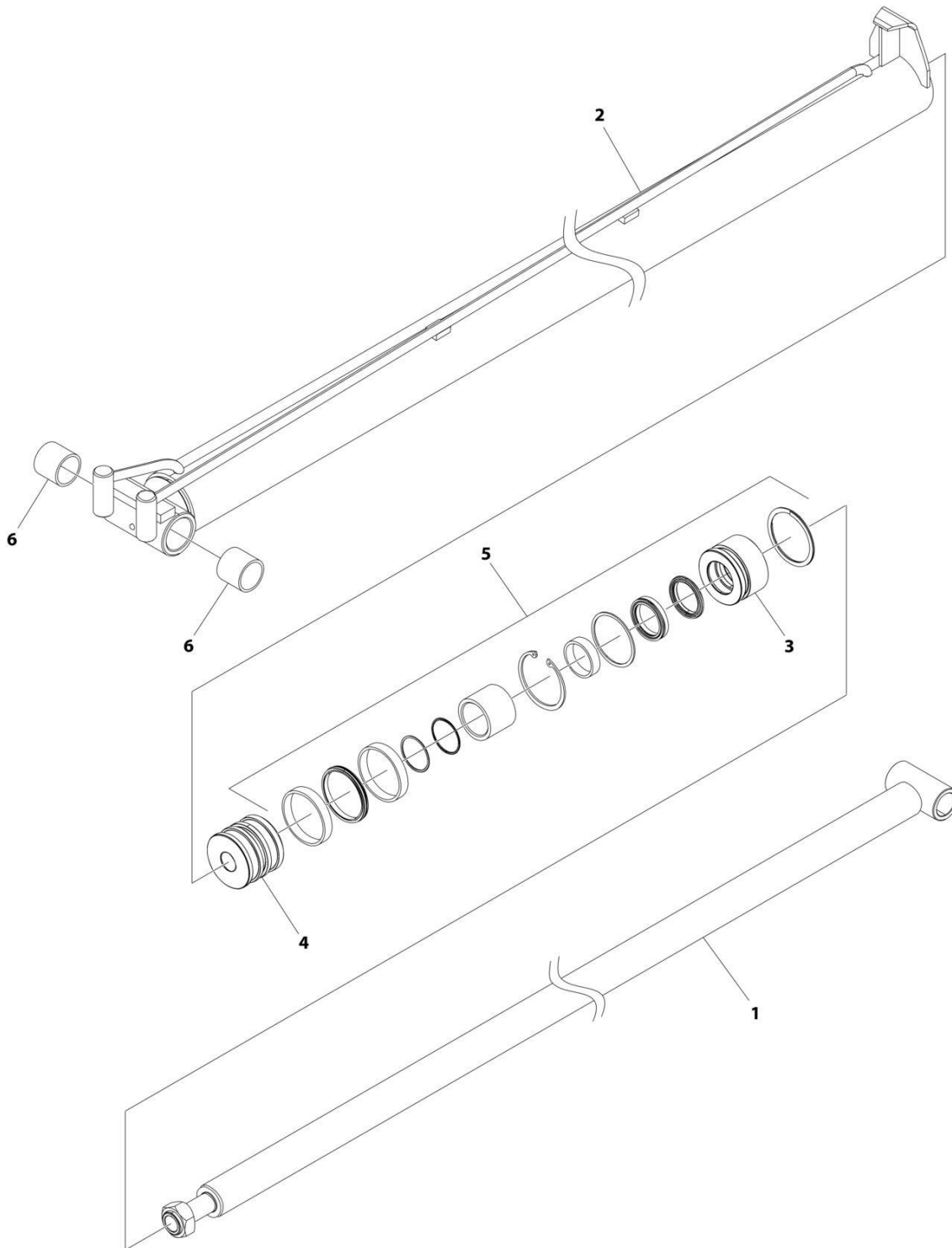
ART_1001196383

FIGURE 2-3. FLY BOOM INSTALLATION

ITEM	PART NUMBER	QTY	DESCRIPTION	REV
	1001196383	Ref	FLY BOOM INSTALLATION	B
1	3170000345	1	Boom, Fly	
2	1001194370	1	Cylinder Assembly - Extend/Retract (See Separate Breakdown in this Section)	
3	4679000278	1	Pad	
4	4679000237	1	Pad	
5	4679000238	2	Pad	
6	4691000027	1	Pin	
7	7754000006	2	Ring, Retaining	
8	3020039	AR	Adhesive	
9	1001152707	AR	Lubricant	

SECTION 2 - BOOM

FIGURE 2-4. CYLINDER ASSEMBLY - EXEND/RETRACT (KNEE BOOM FLY)



ART_1001194370

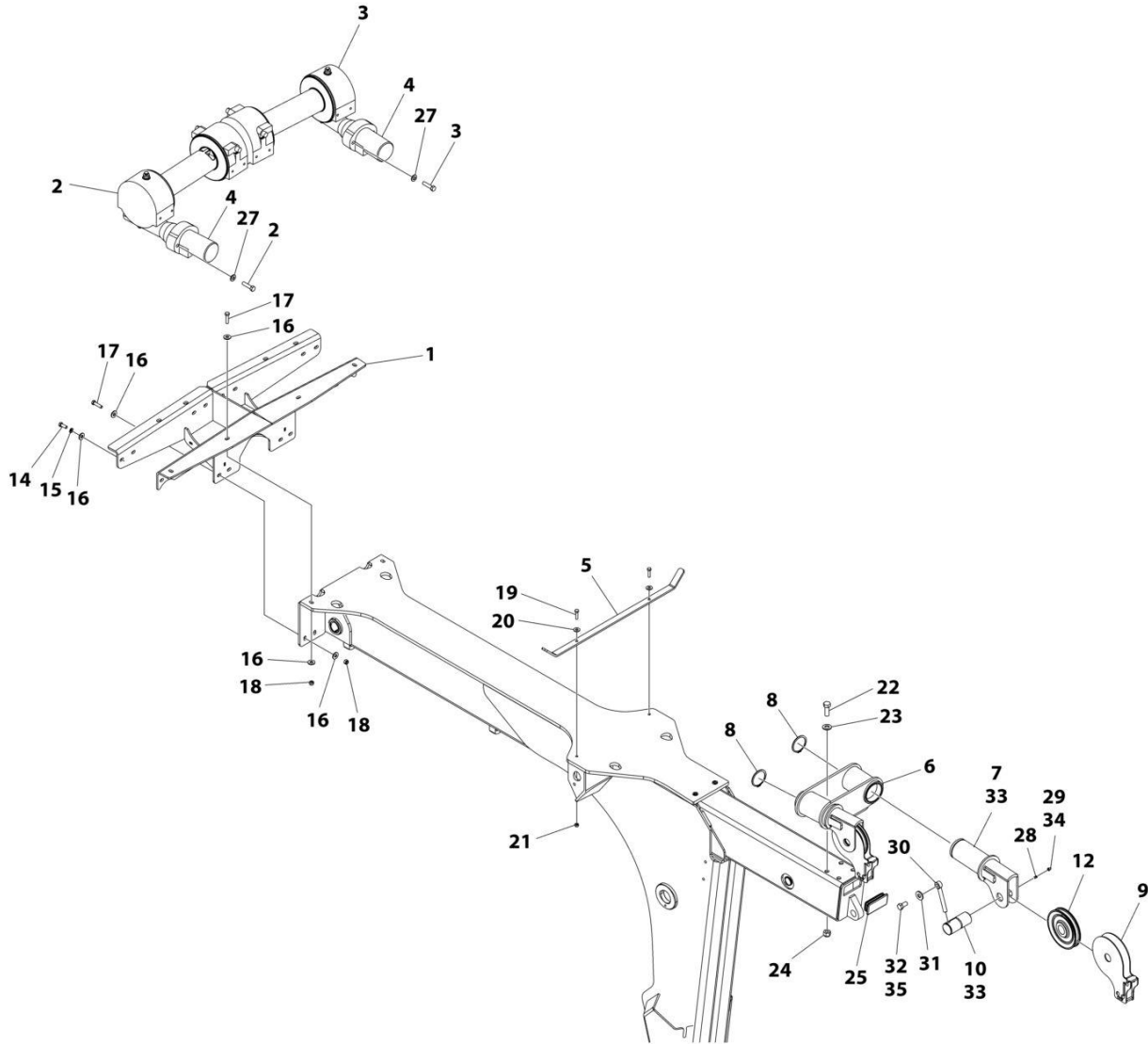
SECTION 2 - BOOM

FIGURE 2-4. CYLINDER ASSEMBLY - EXEND/RETRACT (KNEE BOOM FLY)

ITEM	PART NUMBER	QTY	DESCRIPTION	REV
	1001194370	Ref	CYLINDER ASSEMBLY - EXEND/RETRACT (KNEE BOOM FLY)	A
1	70051615	1	Rod	
2	70051617	1	Barrel	
3	70051618	1	Head	
4	70051619	1	Piston	
5	70051620	1	Seal Kit - Cylinder	
6	0962272	2	Bushing (Barrel End) (Note: No Bushings used in Rod End)	

SECTION 2 - BOOM

FIGURE 2-5. WINCH INSTALLATION - DUAL



ART_2509900044

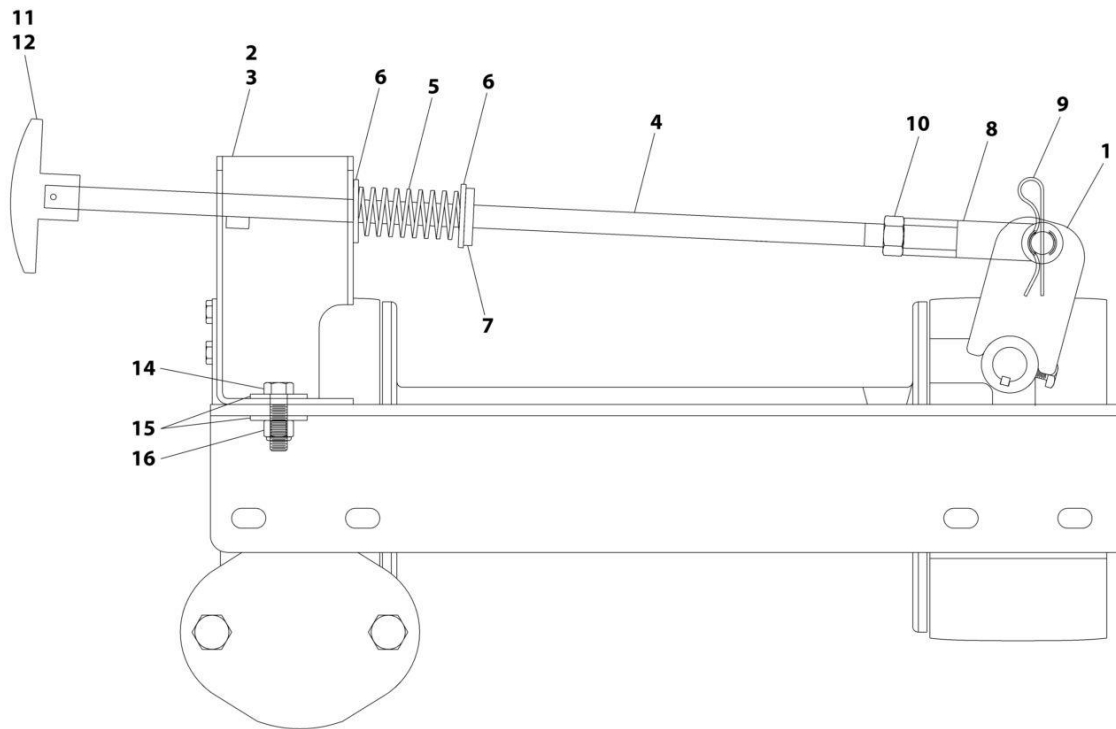
SECTION 2 - BOOM

FIGURE 2-5. WINCH INSTALLATION - DUAL

ITEM	PART NUMBER	QTY	DESCRIPTION	REV
	2509900044	Ref	WINCH INSTALLATION - DUAL (WITH FLY BOOM)	E
1	3178000419	1	Bracket	
2	7970000103	1	Winch (LH) (See Separate Breakdown in this Section)	
3	7970000104	1	Winch (RH) (See Separate Breakdown in this Section)	
4	7626000014	2	Orbit Motor (See Separate Breakdown in this Section)	
5	4062000541	1	Bar	
6	1001206159	1	Support	
7	1001206161	2	Support	
8	7754000005	2	Ring, Retaining	
9	1001206167	2	Support	
10	1001206171	2	Pin	
12	7809000001	2	Sheave	
14	0641608	16	Bolt 3/8 x 1	
15	4761600	16	Washer 3/8	
16	4891600	28	Washer 3/8	
17	0641612	6	Bolt 3/8 x 1-1/2	
18	7660162601	6	Nut 3/8	
19	0641510	2	Bolt 5/16 x 1-1/4	
20	4751500	2	Washer 5/16	
21	7660152601	2	Nut 5/16	
22	0642014	4	Bolt 5/8 x 1-3/4	
23	4712000	4	Washer 5/8	
24	7660202601	4	Nut 5/8	
25	7701000051	1	Plug	
26	8632000002	4	Trim-Lock (Not Shown)	
27	7950180400	4	Washer 1/2	
28	88671008	4	Fitting	
29	7253000002	2	Fitting	
30	3841143	2	Keeper	
31	4711600	2	Washer	
32	0651606	2	Bolt 3/8 x 3/4	
33	3020039	AR	Lubricant	
34	3020029	AR	Lube	
35	1001095650	AR	Adhesive	

SECTION 2 - BOOM

FIGURE 2-6. WINCH HANDLE INSTALLATION - DUAL



ART_3509900060

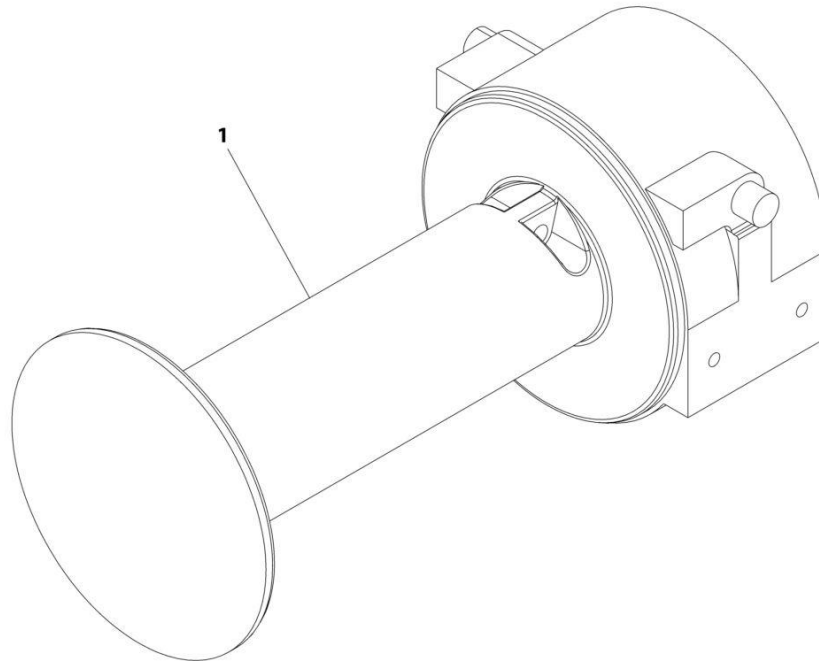
SECTION 2 - BOOM

FIGURE 2-6. WINCH HANDLE INSTALLATION - DUAL

ITEM	PART NUMBER	QTY	DESCRIPTION	REV
	3509900060	Ref	WINCH HANDLE INSTALLATION - DUAL WINCH (WITH FLY BOOM)	C
1	3587000007	2	Lever	
2	4178000166	1	Bracket	
3	4178000167	1	Bracket	
4	3587000008	2	Handle	
5	7843000010	2	Spring	
6	7950180161	4	Washer 1/2	
7	7690102041	2	Pin	
8	7990000011	2	Yoke	
9	1001179025	2	Pin, Clevis	
10	7660180030	2	Nut	
11	4551000005	2	T-Handle	
12	7690051641	2	Pin	
14	7115161050	2	Bolt 3/8 x 1-1/4	
15	7950160162	4	Washer 3/8	
16	7660162601	2	Nut 3/8	

SECTION 2 - BOOM

FIGURE 2-7. WINCH ASSEMBLY - LH



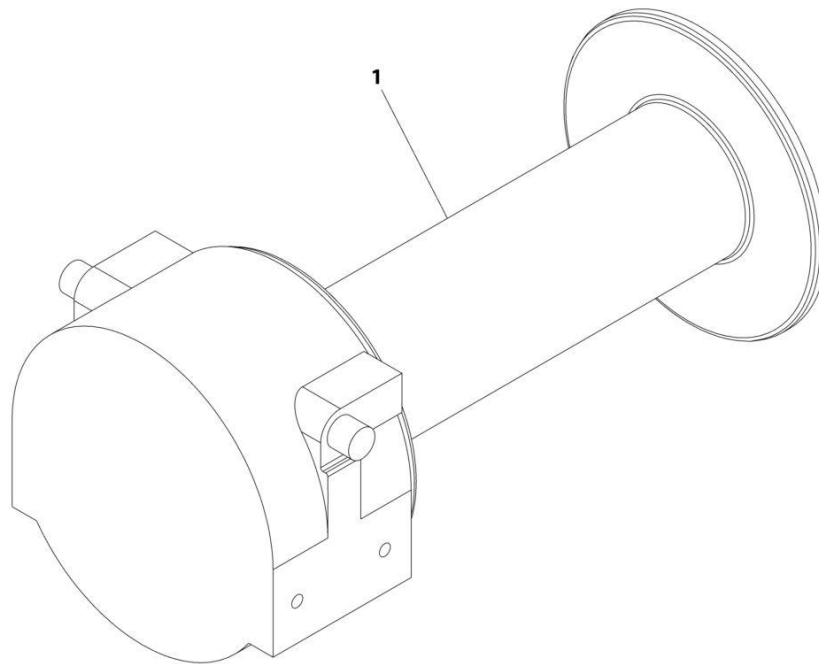
ART_7970000103

FIGURE 2-7. WINCH ASSEMBLY - LH

ITEM	PART NUMBER	QTY	DESCRIPTION	REV
	7970000103	Ref Ref	WINCH ASSEMBLY Note: No Service Part Available at the Time of Printing	0

SECTION 2 - BOOM

FIGURE 2-8. WINCH ASSEMBLY - RH



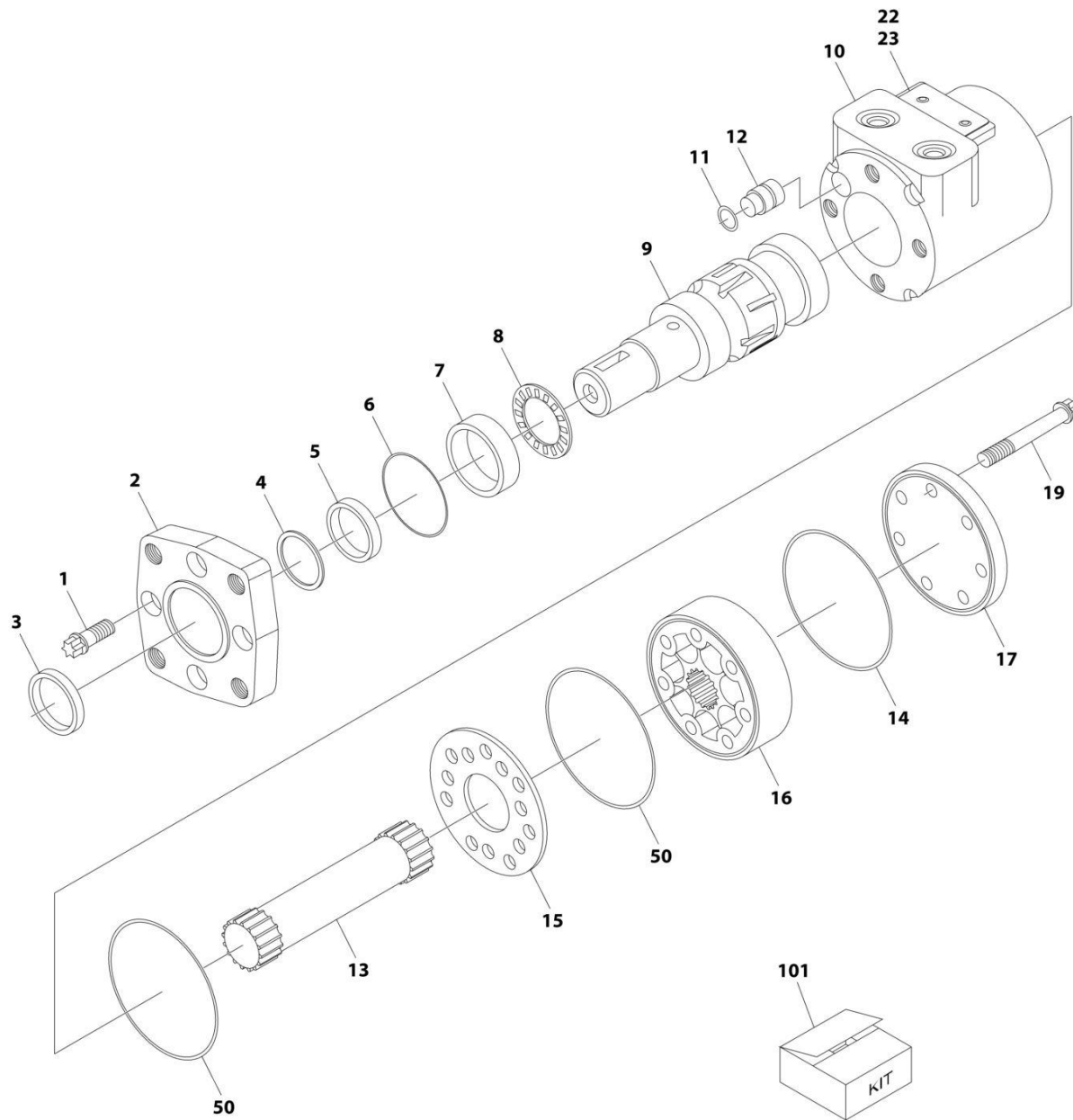
ART_7970000104

FIGURE 2-8. WINCH ASSEMBLY - RH

ITEM	PART NUMBER	QTY	DESCRIPTION	REV
	7970000104	Ref Ref	WINCH ASSEMBLY Note: No Service Part Available at the Time of Printing	0

SECTION 2 - BOOM

FIGURE 2-9. WINCH MOTOR ASSEMBLY



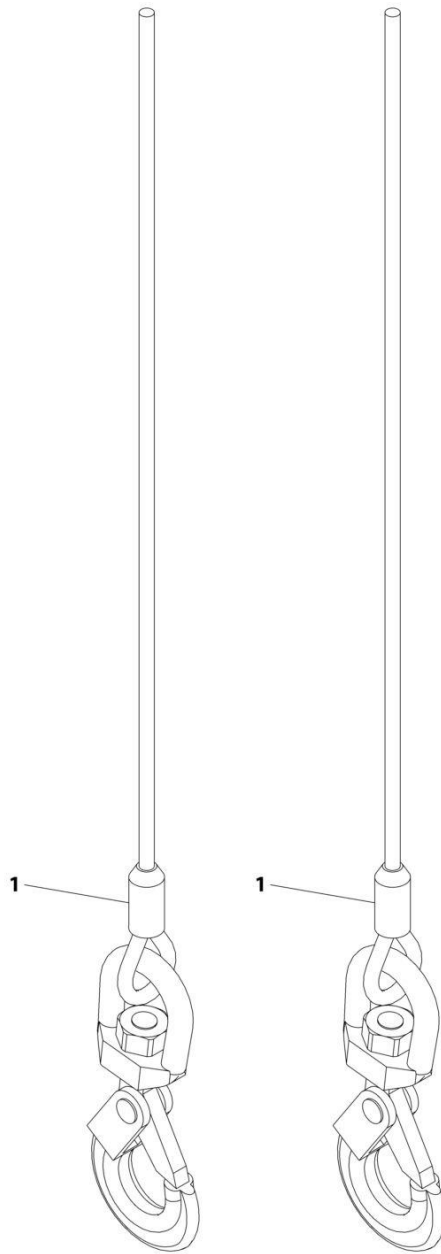
ART_7626000014

FIGURE 2-9. WINCH MOTOR ASSEMBLY

ITEM	PART NUMBER	QTY	DESCRIPTION	REV
	7626000014	Ref	ORBIT MOTOR	1
1	7002123	4	Capscrew	
2	7009974	1	Flange, Mounting	
3	See Note	NSS	Seal, Exclusion (Note: Use Item 101)	
4	7009975	1	Washer, Backup	
5	7009997	1	Pressure Seal	
6	See Note	NSS	Seal (Note: Use Item 101)	
7	7002117	1	Race, Bearing	
8	7002111	1	Bearing, Thrust Needle	
9	70070028	1	Output Shaft (STD)	
10	See Note	NSS	(Note: Not Available for Purchase)	
11	See Note	NSS	O-Ring (Note: Use Item 101)	
12	7009992	1	Plug, Housing	
13	80234009	1	Drive	
14	See Note	NSS	Seal (Note: Use Item 101)	
15	7002110	1	Plate, Spacer	
16	70070029	1	Gerotor Sub-Assembly	
17	7002107	1	Cap, End	
19	70070030	7	Capscrew	
22	See Note	NSS	(Note: Not Available for Purchase)	
23	See Note	NSS	(Note: Not Available for Purchase)	
50	See Note	NSS	Seal (Note: Use Item 101)	
100		Ref	Key (Not Shown)	
101	2900733	1	Seal Kit (Includes Items 3, 6, 11, 14 & 50)	

SECTION 2 - BOOM

FIGURE 2-10. CABLE ASSEMBLY - SWIVEL HOOK (DUAL)



ART_1001181889

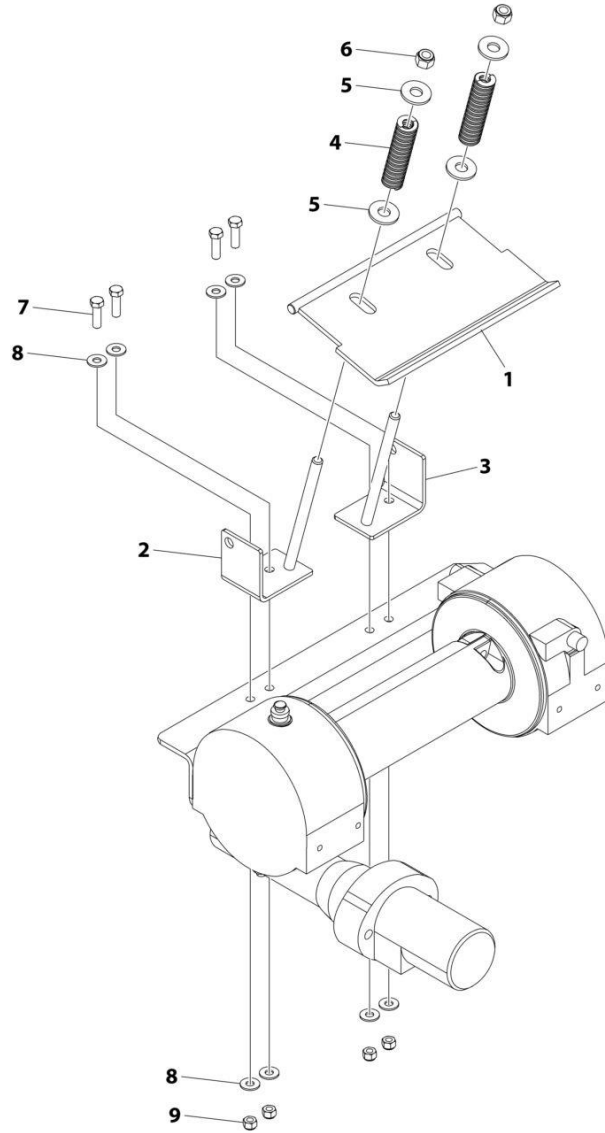
SECTION 2 - BOOM

FIGURE 2-10. CABLE ASSEMBLY - SWIVEL HOOK (DUAL)

ITEM	PART NUMBER	QTY	DESCRIPTION	REV
1	1001181889 7248000140	Ref 2	CABLE ASSEMBLY - SWIVEL HOOK (DUAL) Cable Assembly	A

SECTION 2 - BOOM

FIGURE 2-11. CABLE TENSIONER INSTALLATION



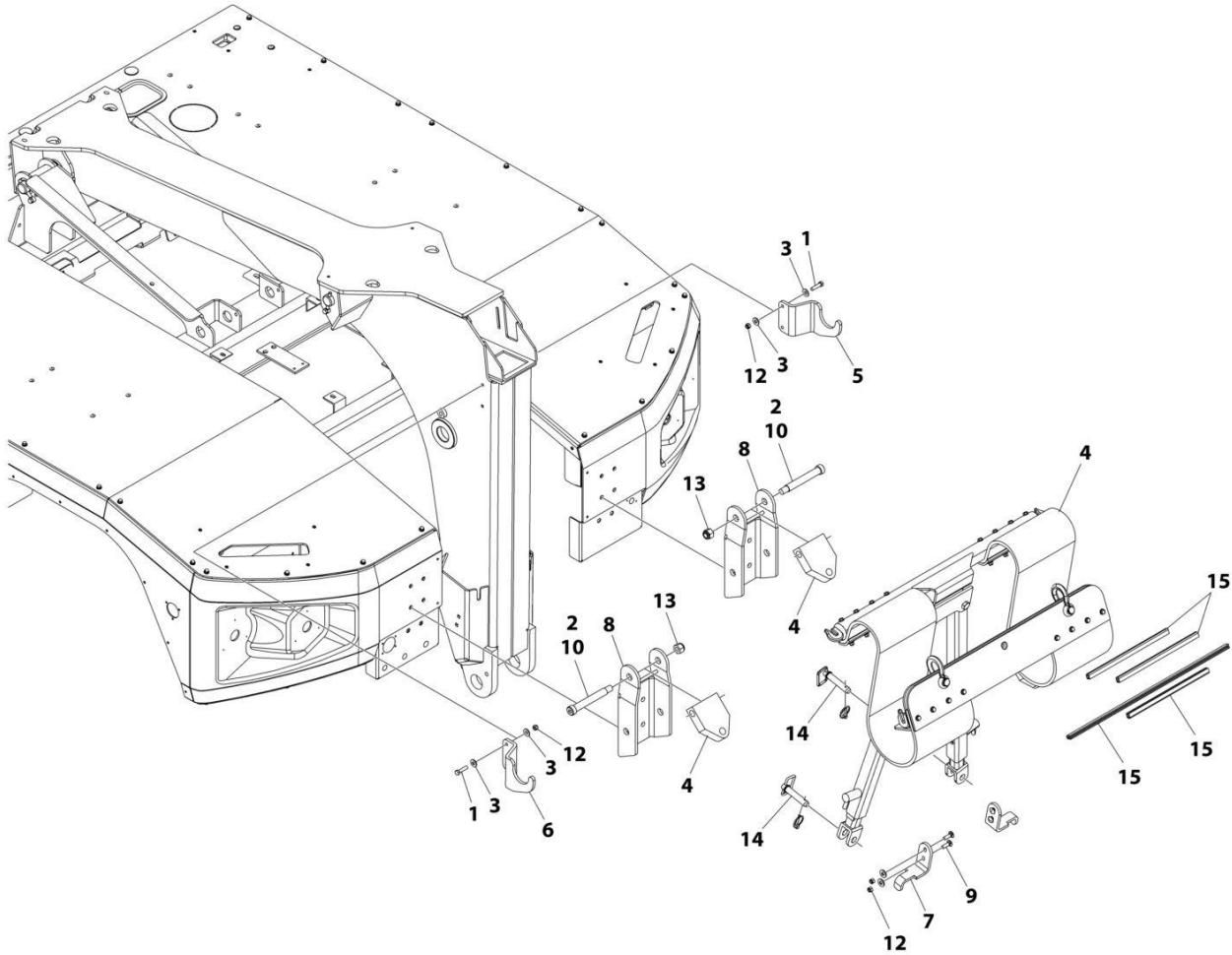
ART_2500900643

FIGURE 2-11. CABLE TENSIONER INSTALLATION

ITEM	PART NUMBER	QTY	DESCRIPTION	REV
	2500900643	Ref	CABLE TENSIONER INSTALLATION - WINCH	A
1	3706000099	1	Plate	
2	3017000003	1	Angle (LH)	
3	3017000002	1	Angle (RH)	
4	7843000004	2	Spring	
5	7950180161	4	Washer 1/2	
6	7660182601	2	Nut 1/2	
7	7115161050	4	Bolt 3/8 x 1-1/4	
8	7950150161	8	Washer 5/16	
9	7660162601	4	Nut 3/8	

SECTION 2 - BOOM

FIGURE 2-12. TOW SLING INSTALLATION



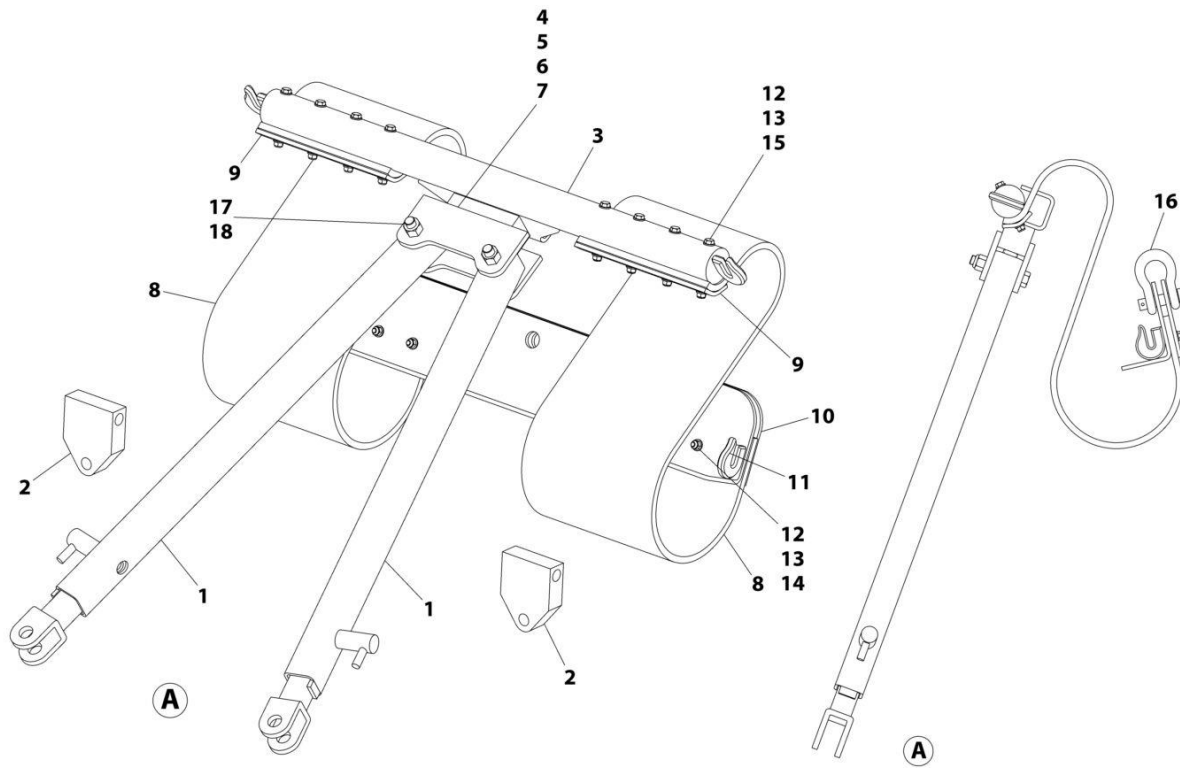
ART_1001294037

FIGURE 2-12. TOW SLING INSTALLATION

ITEM	PART NUMBER	QTY	DESCRIPTION	REV
	1001294037	Ref	TOW SLING INSTALLATION	A
1	0641612	4	Bolt 3/8 x 1-1/2	
2	3020039	AR	Molly Paste	
3	4751600	8	Washer 3/8	
4	1001183579	1	Tow Sling Kit (See Separate Breakdown in this Section)	
5	1001208611	1	Bracket, RH	
6	1001208612	1	Bracket, LH	
7	1001208613	2	Bracket	
8	1001294039	2	Bracket	
9	7115161064	4	Bolt 3/8 x 1-1/4	
10	7115223806	2	Bolt 5/8 x 4-3/4	
11	7262000010	2	Chain (Not Shown)	
12	7660162601	8	Nut 3/8	
13	7660202601	2	Nut 5/8	
14	7691000053	2	Pin	
15	8632000002	6 ft/2 m	Trim Lock	

SECTION 2 - BOOM

FIGURE 2-13. TOW SLING KIT



ART_1001183579

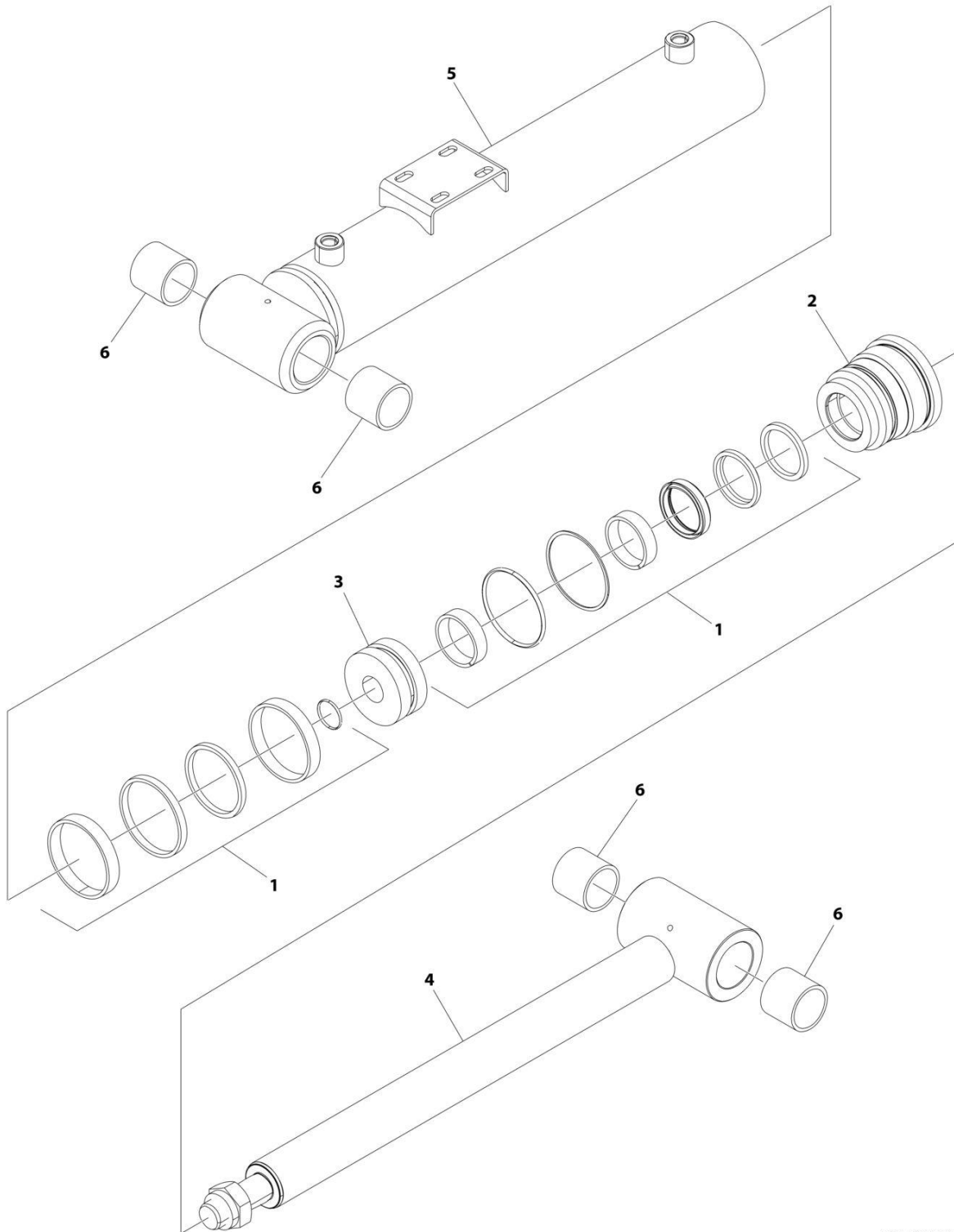
FIGURE 2-13. TOW SLING KIT

ITEM	PART NUMBER	QTY	DESCRIPTION	REV
	1001183579	Ref	TOW SLING KIT	C
1	70051576	2	Sling Arm Assembly	
2	70051577	2	Hinge	
3	70051578	1	Sling Crossbar	
4	70051579	1	Pivot	
5	70051580	1	Washer	
6	70051581	1	Nut	
7	70051582	1	Cotter Pin	
8	70051583	2	Sling Belt	
9	70051584	2	Sling Belting Clamp	
10	70051585	1	Front Sling Belting Plate	
11	70051586	1	Back Sling Belting Plate	
12	70051587	16	Washer 5/16	
13	70051588	16	Nut 5/16	
14	70051589	8	Bolt 5/16 x 1-1/2	
15	70051590	8	Bolt 5/16 x 3-1/2	
16	70051591	2	Anchor Shackle	
17	70051592	2	Bolt 5/8 x 3-3/4	
18	70051593	2	Nut 5/8	

SECTION 3 - UNDERLIFT

SECTION 3 - UNDERLIFT

FIGURE 3-1. CYLINDER ASSEMBLY - TILT (UNDERLIFT)



ART_1001194369

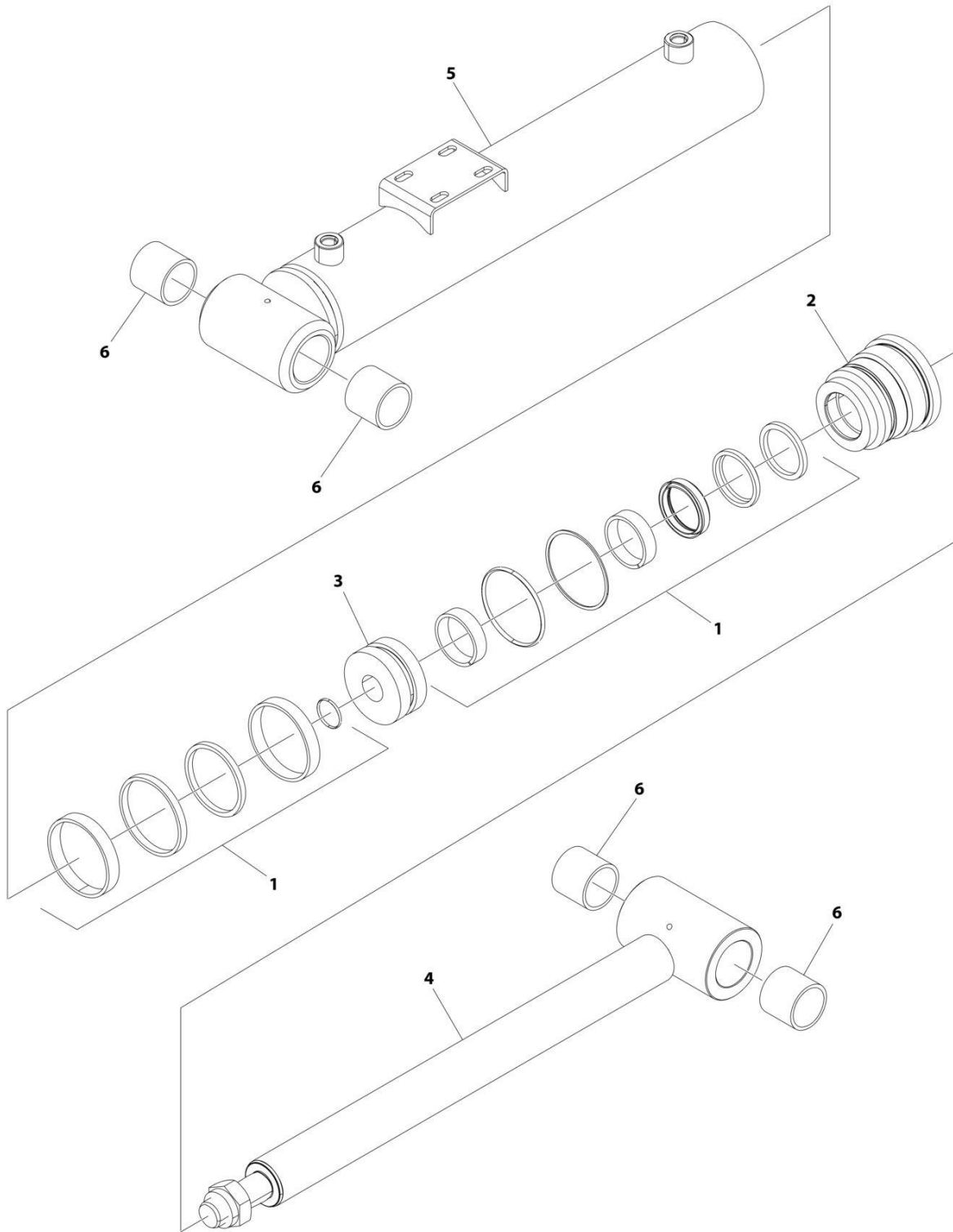
SECTION 3 - UNDERLIFT

FIGURE 3-1. CYLINDER ASSEMBLY - TILT (UNDERLIFT)

ITEM	PART NUMBER	QTY	DESCRIPTION	REV
	1001194369	Ref	CYLINDER ASSEMBLY - TILT (UNDERLIFT)	C
1	70051326	1	Seal Kit - Cylinder	
2	70051628	1	Head	
3	70051629	1	Piston	
4	70051630	1	Rod	
5	70051631	1	Barrel	
6	0962224	1	Bushing (Barrel & Rod Ends)	

SECTION 3 - UNDERLIFT

FIGURE 3-2. CYLINDER ASSEMBLY - EXTEND/RETRACT (UNDERLIFT)



ART_7320000077

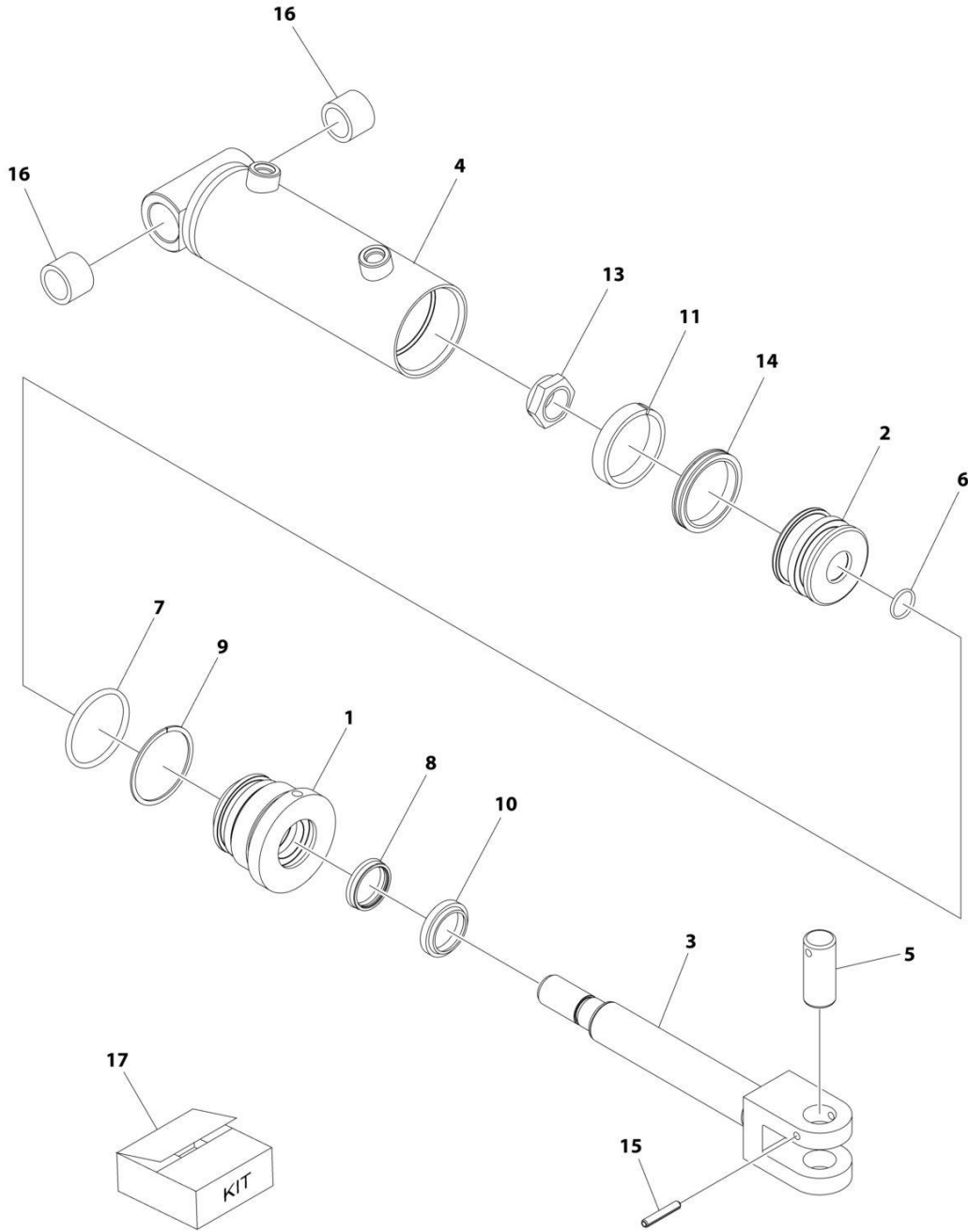
SECTION 3 - UNDERLIFT

FIGURE 3-2. CYLINDER ASSEMBLY - EXTEND/RETRACT (UNDERLIFT)

ITEM	PART NUMBER	QTY	DESCRIPTION	REV
	7320000077	Ref	CYLINDER ASSEMBLY	01
1	70051664	1	Seal Kit - Cylinder	
2	70051660	1	Head	
3	70051661	1	Piston	
4	70051662	1	Rod	
5	70051663	1	Barrel	

SECTION 3 - UNDERLIFT

FIGURE 3-3. CYLINDER ASSEMBLY - HYDRAULIC GRID



ART_732000064

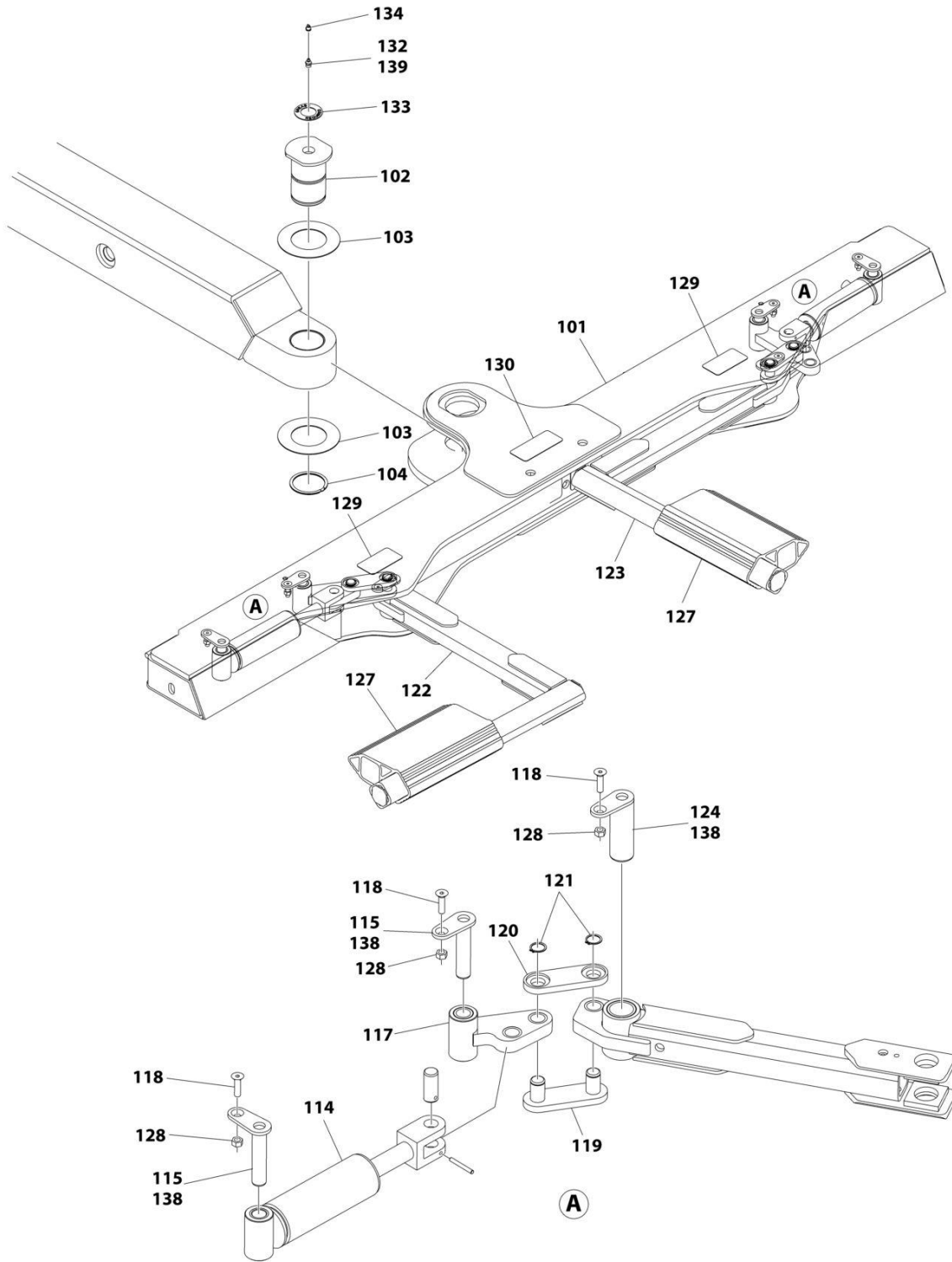
SECTION 3 - UNDERLIFT

FIGURE 3-3. CYLINDER ASSEMBLY - HYDRAULIC GRID

ITEM	PART NUMBER	QTY	DESCRIPTION	REV
	732000064	Ref	CYLINDER ASSEMBLY	B
1	7027336	1	Gland	
2	7027338	1	Piston	
3	70050632	1	Rod Assembly	
4	70050633	1	Barrel Assembly	
5	70050634	1	Retention Pin	
6	70050635	1	O-Ring	
7	70050636	1	O-Ring	
8	70050637	1	Rod Seal	
9	70050638	1	Backup Ring	
10	70050639	1	Rod Wiper	
11	70050640	1	Wear Ring	
12	70050641	2	Plug	
13	70050642	1	Nut 3/4	
14	70050643	1	Piston Seal	
15	70050644	1	Roll Pin	
16	7082000026	2	Bearing	
17	7027341	1	Seal Kit (includes items 6-11)	

SECTION 3 - UNDERLIFT

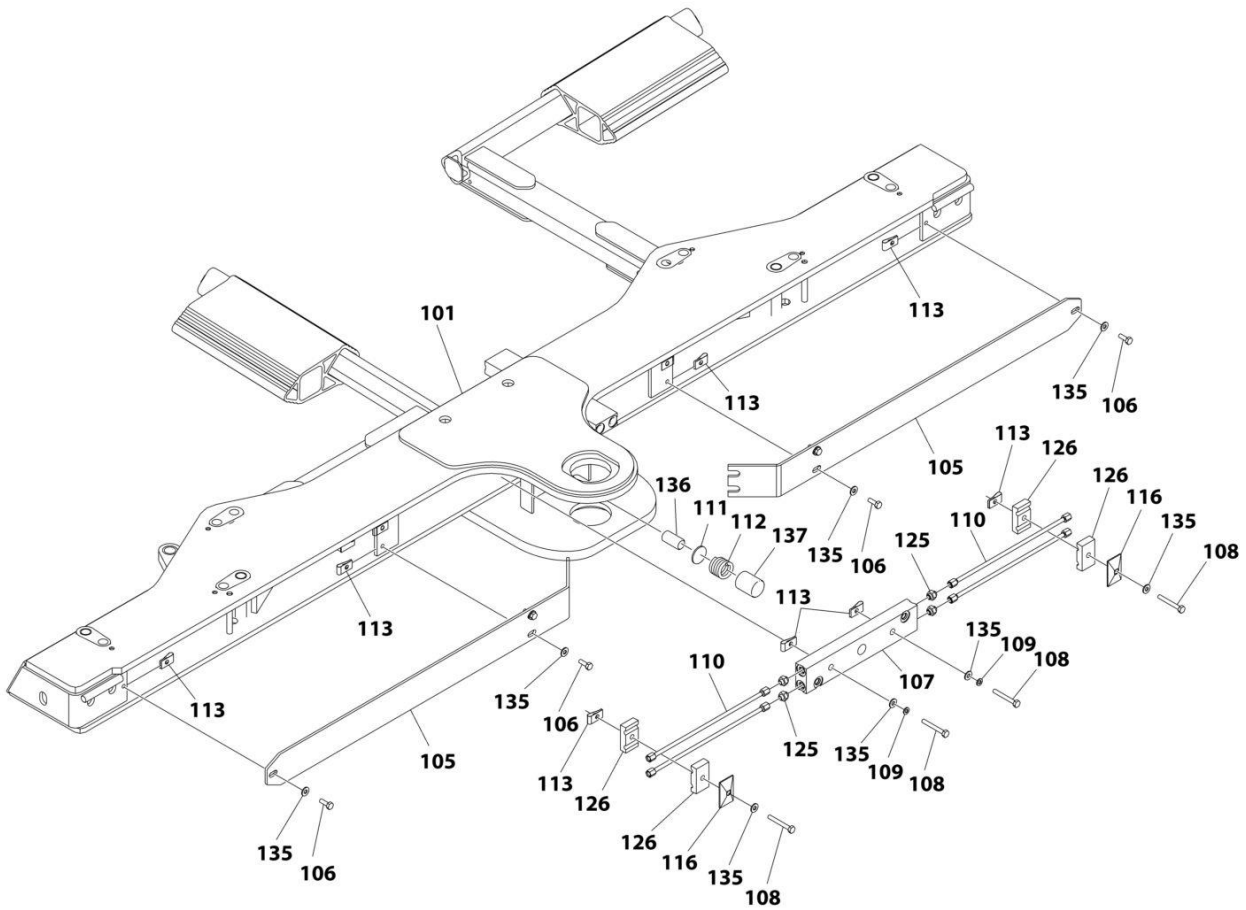
FIGURE 3-5. GRID SYSTEM INSTALLATION - HYDRAULIC



ART_1001296109_10F2

SECTION 3 - UNDERLIFT

FIGURE 3-6. GRID SYSTEM INSTALLATION - HYDRAULIC



ART_1001296109_20F2

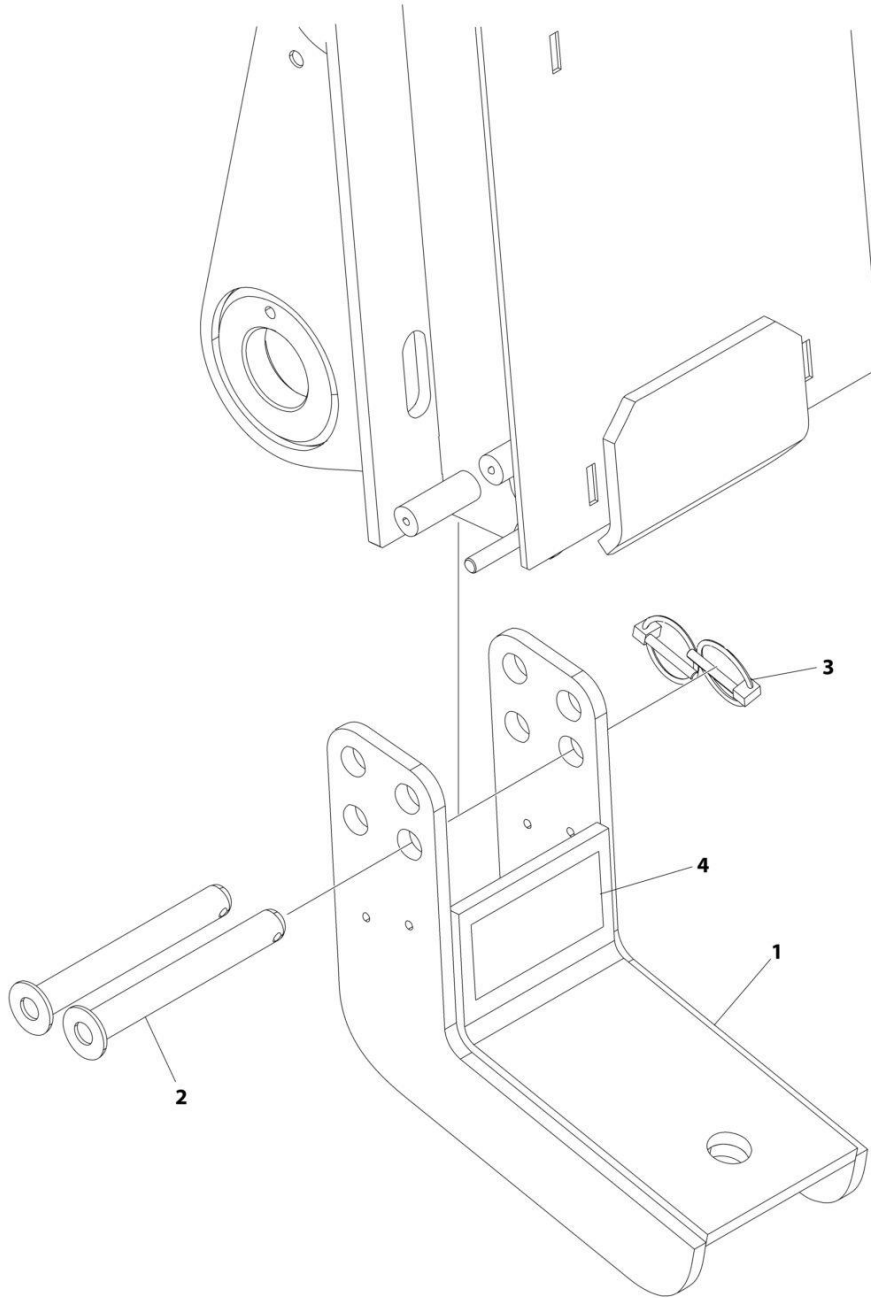
SECTION 3 - UNDERLIFT

FIGURE 3-6. GRID SYSTEM INSTALLATION - HYDRAULIC

ITEM	PART NUMBER	QTY	DESCRIPTION	REV
	1001296109	Ref	GRID SYSTEM INSTALLATION - HYDRAULIC	A
1	1001205604	1	Grid Assembly - Hydraulic (Not Shown) (See Items 101-139 for Breakdown)	
2	1001296110	1	Hose Installation - Hydraulic Grid (Not Shown) (See Separate Breakdown in HYDRAULIC Section)	
	1001205604	Ref	GRID ASSEMBLY - HYDRAULIC	C
101	1001185808	1	Crosstube	
102	4691000198	1	Pin	
103	4949000047	2	Thrust Washer	
104	7754000024	1	Ring, Retaining	
105	1001220280	2	Plate, Cover	
106	0641406	6	Bolt 1/4 x 3/4	
107	4619000013	1	Manifold, Hydraulic	
108	0641416	4	Bolt 1/4 x 2	
109	4761400	2	Washer 1/4	
110	7912000184	4	Tube	
111	4831000095	1	Spacer	
112	7843000037	1	Spring	
113	7661000064	10	U-Nut	
114	7320000064	2	Cylinder Assembly - Hydraulic Grid (See Separate Breakdown in this Section)	
115	3691000229	4	Pin	
116	7274000039	2	Cover, Clamp	
117	3592000052	2	Link	
118	1001137904	6	Bolt 5/16 x 1-1/4	
119	3592000051	2	Link	
120	4706003497	2	Plate	
121	3760351	4	Ring Retaining	
122	3020000124	1	Arm (LH)	
123	3020000125	1	Arm (RH)	
124	3691000230	2	Pin	
125	2220415	4	Fitting, Straight JIC/ORB	
126	7274000086	4	Clamp	
127	8411080091	2	Extrusion, L-Arm	
128	3271505	6	Nut 5/16 Grade 8	
129	7330000599	4	Decal - Warning Pinch Point	
130	7330000036	1	Decal - Warning Secure Vehicle	
131	7577000367	1	Kit, Strap (Not Shown)	
132	7253000002	1	Cap, Grease Fitting	
133	7330000609	1	Decal - Grease Required	
134	88671008	1	Fitting, Grease	
135	4711400	10	Washer 1/4	
136	7786000009	1	Setscrew 3/4 x 1-1/2	
137	4064000052	1	Bar	
138	3020039	AR	Lubricant	
139	3020029	AR	Lubricant	

SECTION 3 - UNDERLIFT

FIGURE 3-7. TOW BALL BRACKET INSTALLATION



ART_2178000048

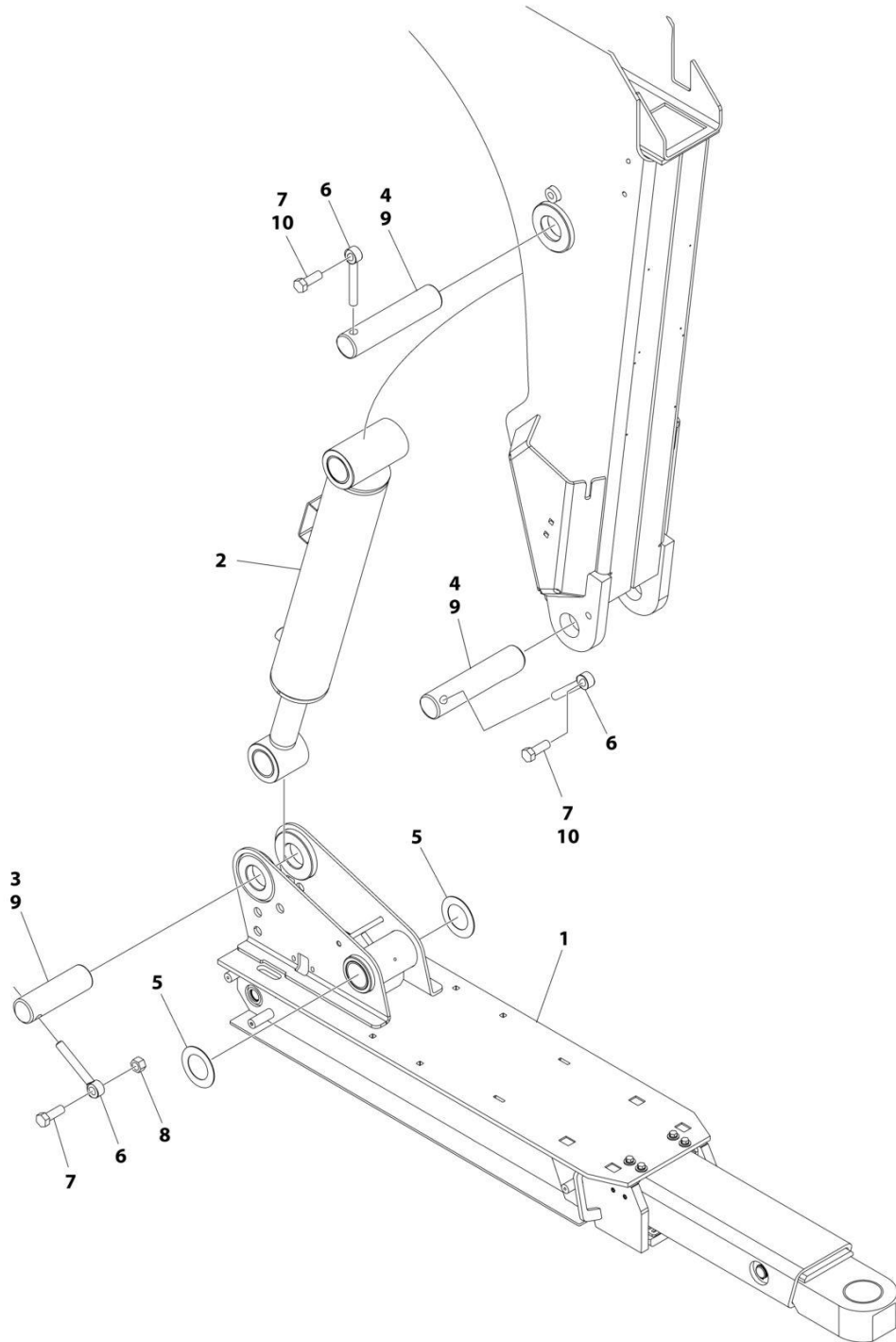
SECTION 3 - UNDERLIFT

FIGURE 3-7. TOW BALL BRACKET INSTALLATION

ITEM	PART NUMBER	QTY	DESCRIPTION	REV
	2178000048	Ref	TOW BALL BRACKET INSTALLATION	0
1	3178000507	1	Bracket, Tow Ball	
2	3691000195	2	Pin	
3	7691000027	2	Clip-Pin	
4	7330000424	1	Decal - Tow Bracket	

SECTION 3 - UNDERLIFT

FIGURE 3-8. UNDERLIFT INSTALLATION - HYDRAULIC GRID



ART_1001196508

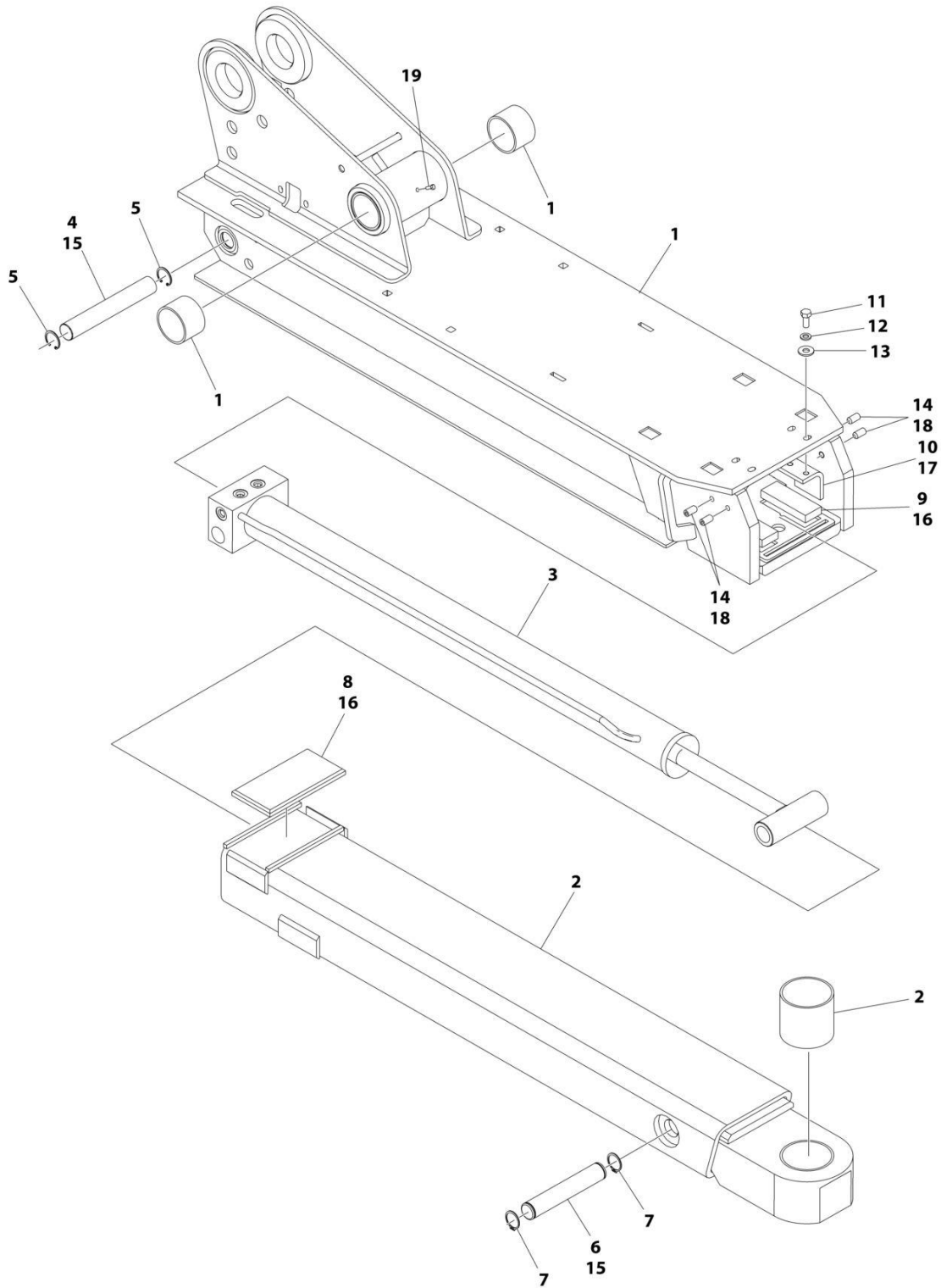
SECTION 3 - UNDERLIFT

FIGURE 3-8. UNDERLIFT INSTALLATION - HYDRAULIC GRID

ITEM	PART NUMBER	QTY	DESCRIPTION	REV
	1001196508	Ref	UNDERLIFT INSTALLATION - HYDRAULIC GRID	A
1	1001196509	1	Boom Assembly - Underlift with Hydraulic Grids (See Separate Breakdown in this Section)	
2	1001194369	1	Cylinder Assembly - Tilt (See Separate Breakdown in this Section)	
3	1001191718	1	Pin	
4	1001191717	2	Pin	
5	4949000050	2	Washer	
6	3841258	3	Pin	
7	0682014	3	Bolt 5/8 x 1-3/4 Grade 8	
8	3272005	1	Nut 5/8 Grade 8	
9	3020039	AR	Lubricant	
10	1001095650	AR	Adhesive	

SECTION 3 - UNDERLIFT

FIGURE 3-10. UNDERLIFT BOOM ASSEMBLY - HYDRAULIC GRIDS



ART_1001196509

SECTION 3 - UNDERLIFT

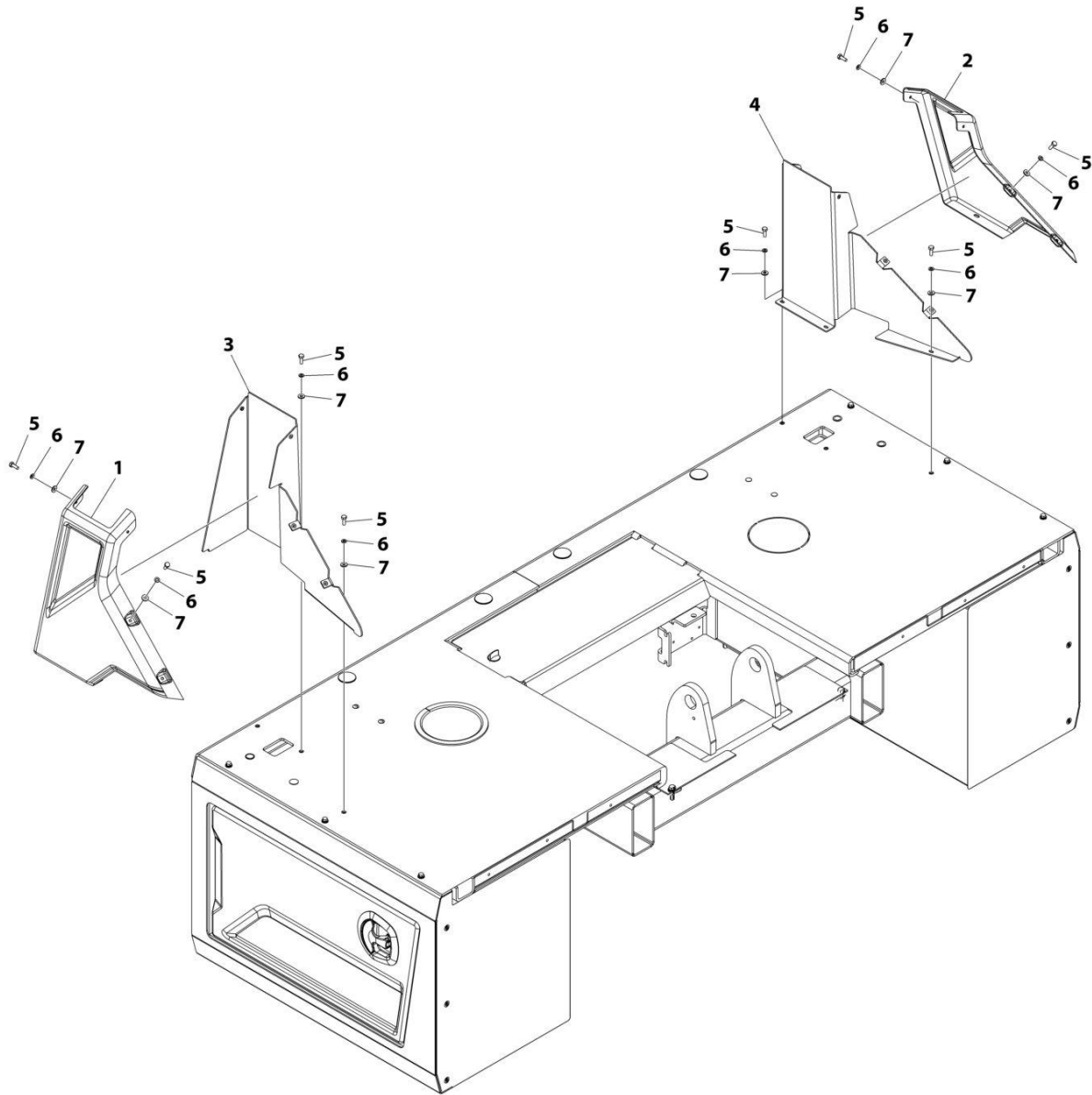
FIGURE 3-10. UNDERLIFT BOOM ASSEMBLY - HYDRAULIC GRIDS

ITEM	PART NUMBER	QTY	DESCRIPTION	REV
	1001196509	Ref	BOOM, UNDERLIFT - HYDRAULIC GRIDS	A
1	1001196510	1	Boom, Base	
1	7082000043	2	Bearing	
2	3170000346	1	Boom, Inner	
2	7209000030	1	Bearing	
3	7320000077	1	Cylinder Assembly (See Separate Breakdown in this Section)	
4	4691000308	1	Pin	
5	7754000056	2	Snap Ring	
6	4691000307	1	Pin	
7	3760115	2	Retaining Ring	
8	4679000046	1	Pad	
9	4679000213	2	Pad	
10	4017001502	2	Angle	
11	7104150624	4	Capscrew 5/16 x 3/4	
12	4761500	4	Washer 5/16	
13	4751500	4	Washer 5/16	
14	7785161274	4	Setscrew 3/8 x 3/4	
15	3020039	AR	Lubricant	
16	1001152707	AR	Lubricant	
17	1001155141	AR	Lubricant	
18	1001095650	AR	Adhesive	
19	1001204776	1	Plug	

SECTION 4 - BODY

SECTION 4 - BODY

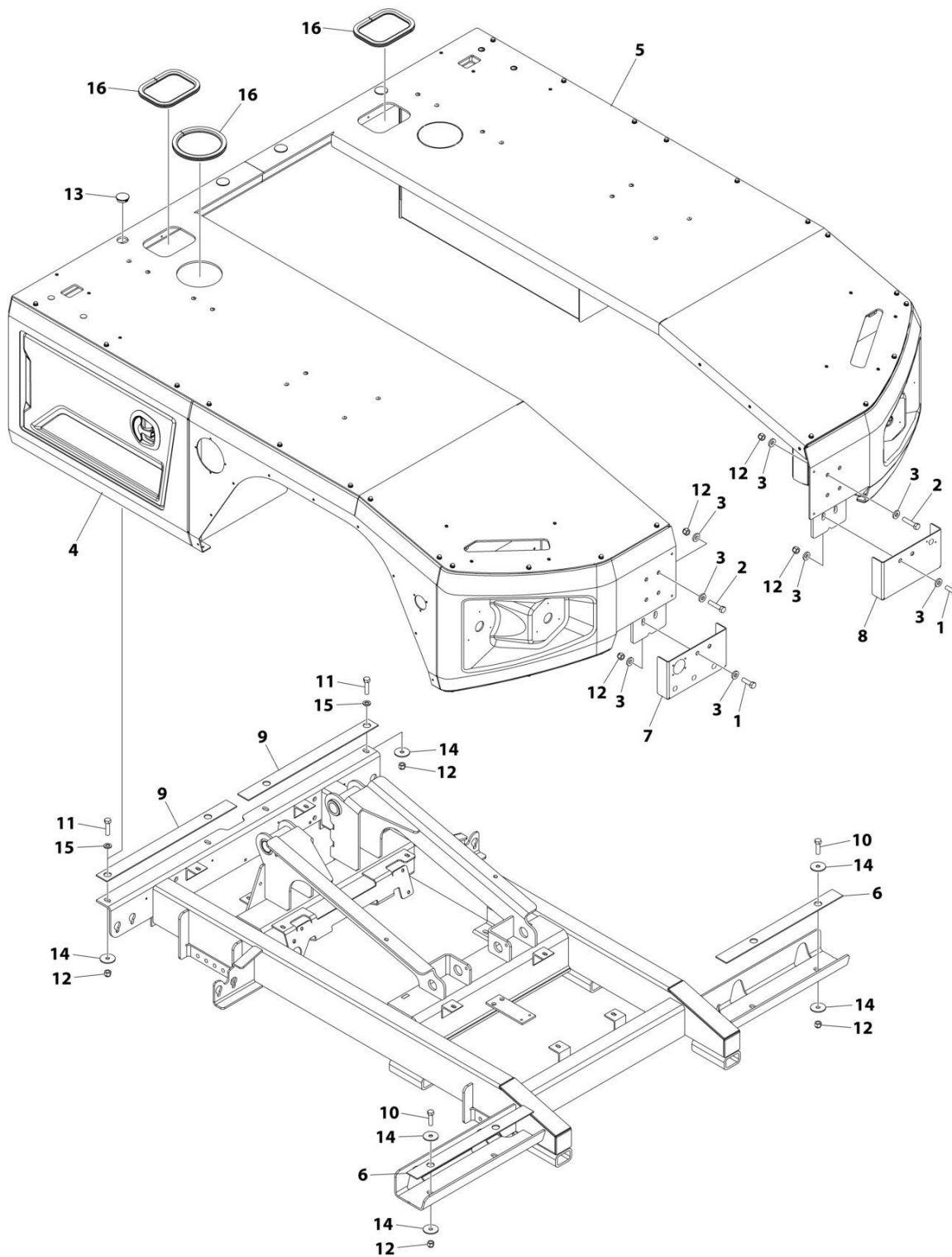
FIGURE 4-1. BODY COVERS RAIL INSTALLATION (BODY MOUNTED PYLON)



ART_1001301573

SECTION 4 - BODY

FIGURE 4-5. BODY INSTALLATION



ART_1001291602

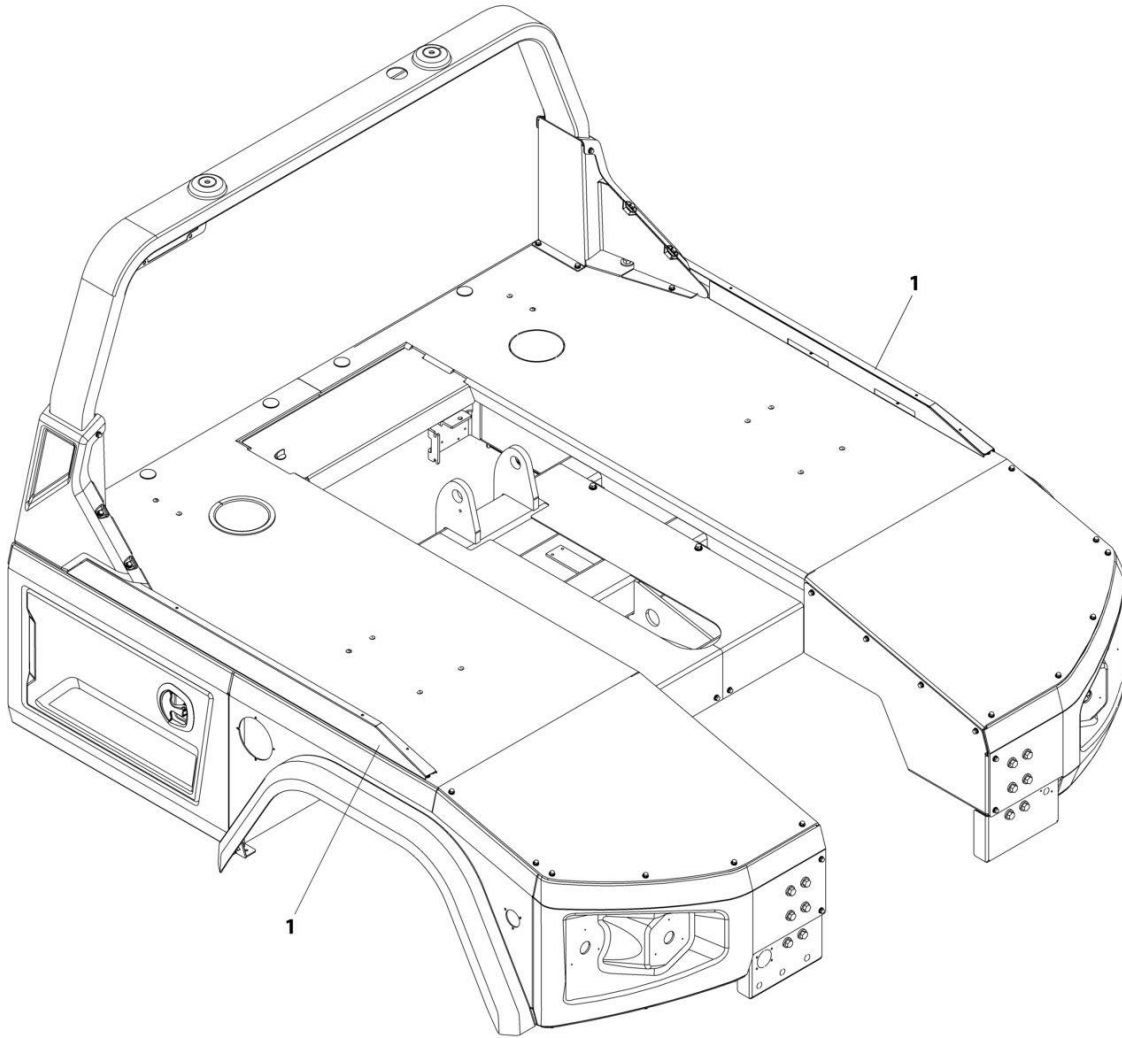
SECTION 4 - BODY

FIGURE 4-5. BODY INSTALLATION

ITEM	PART NUMBER	QTY	DESCRIPTION	REV
	1001291602	Ref	BODY INSTALLATION	A
1	0641813	4	Bolt 1/2 x 1-5/8	
2	0641818	8	Bolt 1/2 x 2-1/4	
3	4891800	24	Washer 1/2	
4	1001291603	1	Deck Side Panel Assembly - LH (See Separate Breakdown in this Section)	
5	1001291611	1	Deck Side Panel Assembly - RH (See Separate Breakdown in this Section)	
6	1001299045	2	Pad	
7	1001300989	1	Panel, LH	
8	1001300990	1	Panel, RH	
9	4090000011	2	Belt	
10	7115181450	4	Bolt 1/2 x 1-3/4	
11	7115181650	4	Bolt 1/2 x 2	
12	7660182601	20	Nut 1/2	
13	7701000063	4	Plug	
14	7949000015	12	Washer	
15	7950180153	4	Washer 1/2	
16	8632000002	AR	Trim	

SECTION 4 - BODY

FIGURE 4-7. DECK RAILS INSTALLATION - COVERS



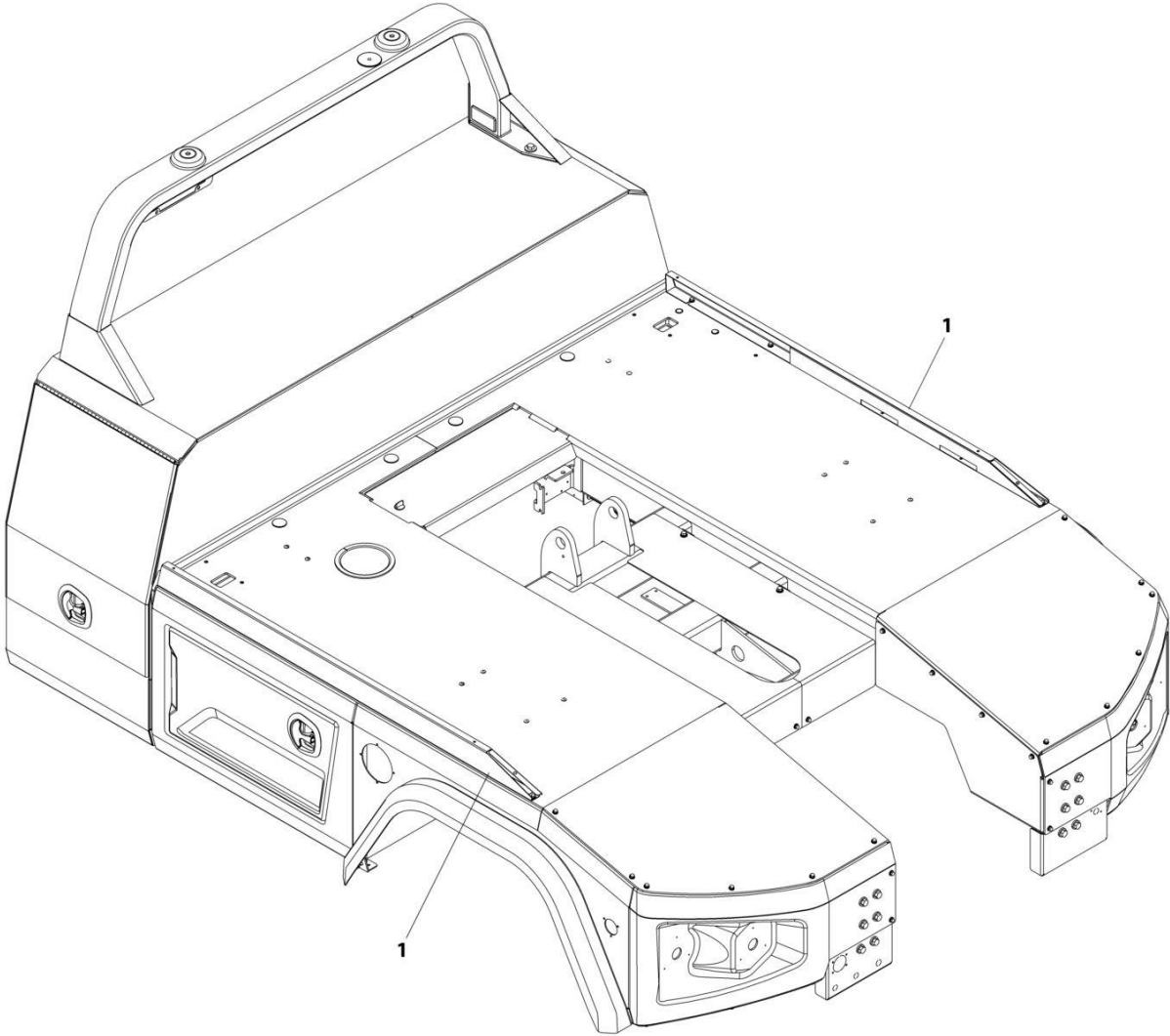
ART_1001301578

FIGURE 4-7. DECK RAILS INSTALLATION - COVERS

ITEM	PART NUMBER	QTY	DESCRIPTION	REV
1	1001301578 1001302054	Ref 1	DECK RAILS INSTALLATION Rail, Deck	A

SECTION 4 - BODY

FIGURE 4-8. DECK RAILS INSTALLATION - NO COVERS



ART_1001301579

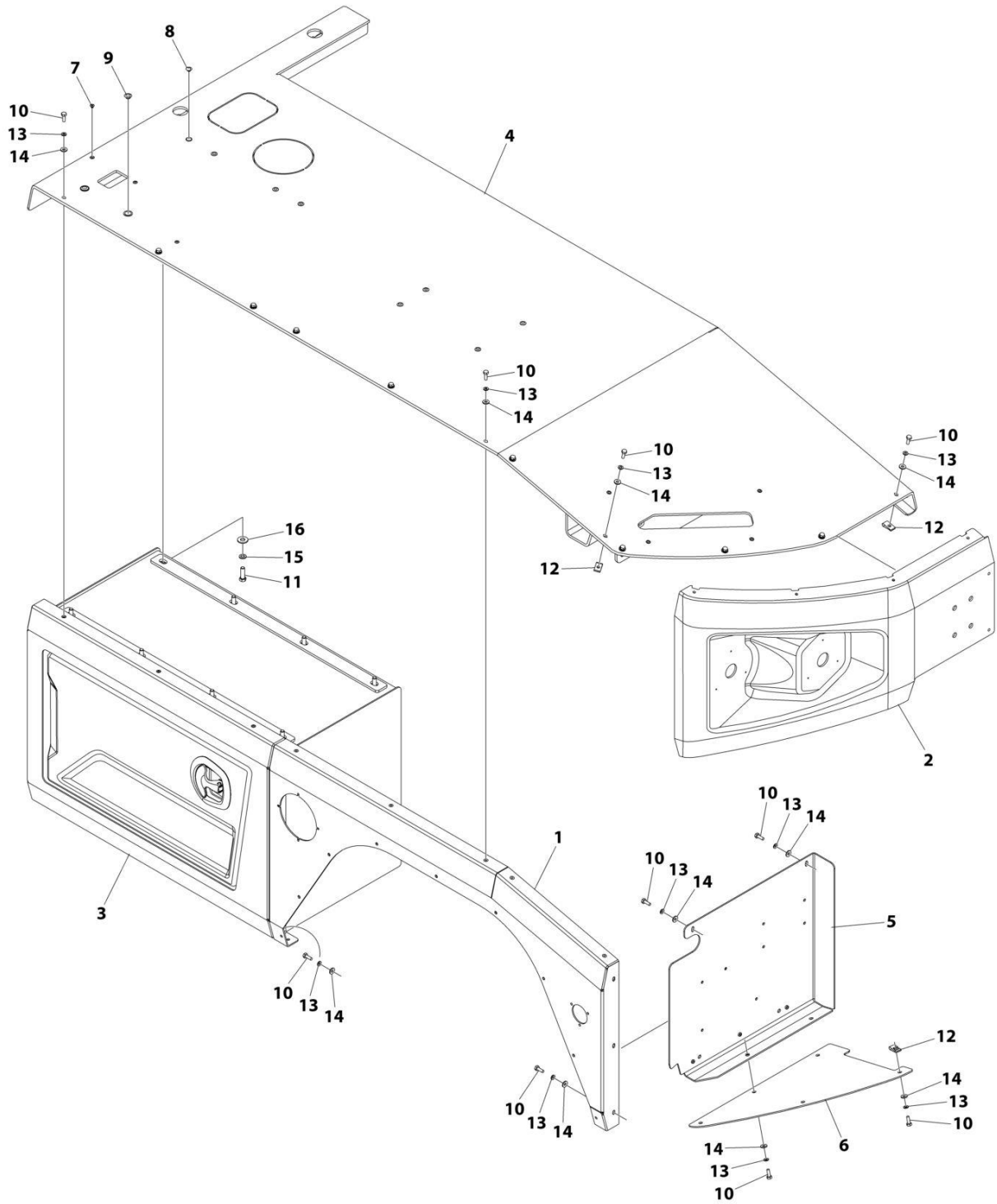
SECTION 4 - BODY

FIGURE 4-8. DECK RAILS INSTALLATION - NO COVERS

ITEM	PART NUMBER	QTY	DESCRIPTION	REV
1	1001301579 1001302055	Ref 1	DECK RAILS INSTALLATION Rail, Deck	A

SECTION 4 - BODY

FIGURE 4-9. DECK SIDE PANEL ASSEMBLY - LH (FUEL FILLER)



ART_1001291603

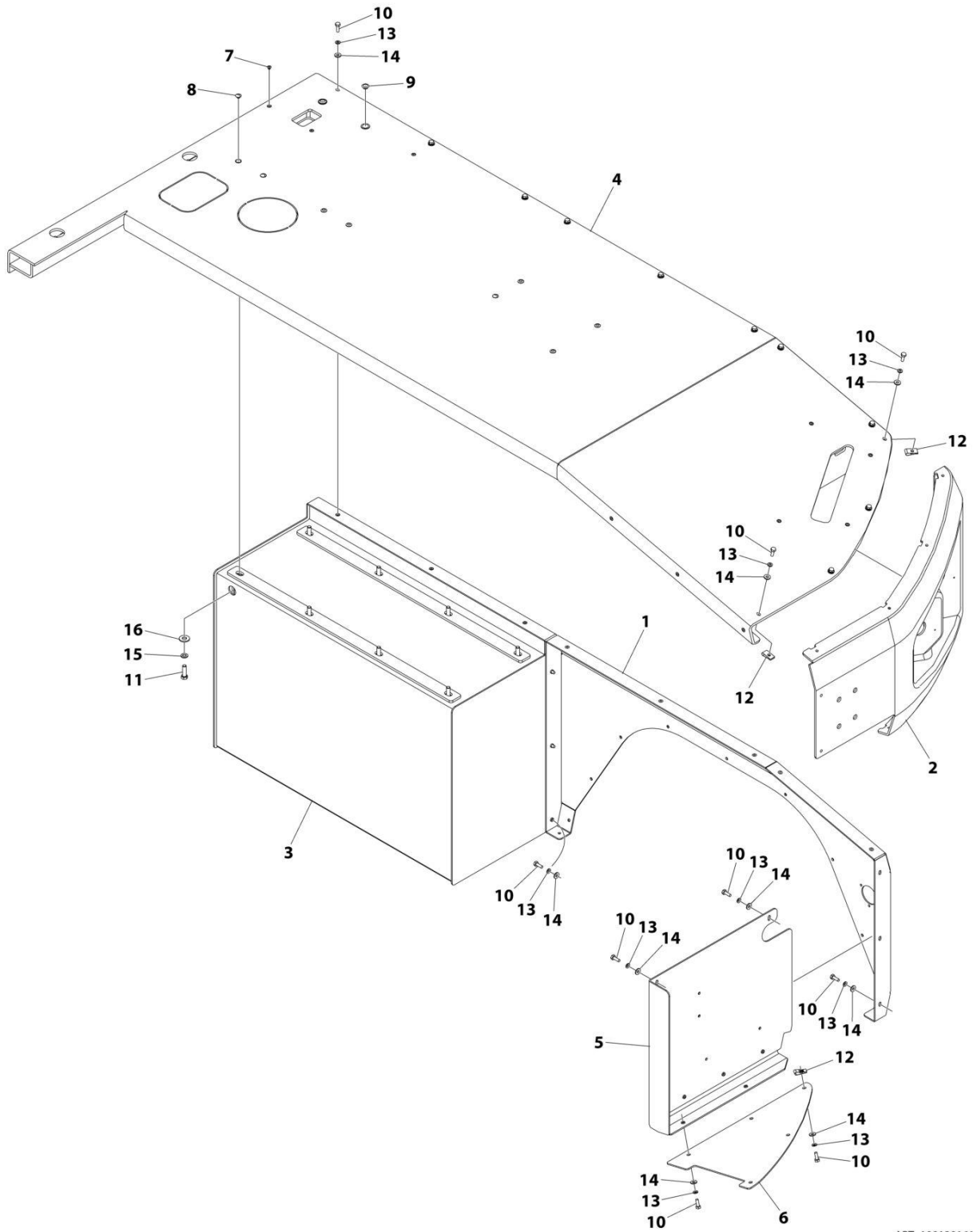
SECTION 4 - BODY

FIGURE 4-9. DECK SIDE PANEL ASSEMBLY - LH (FUEL FILLER)

ITEM	PART NUMBER	QTY	DESCRIPTION	REV
	1001291603	Ref	DECK SIDE PANEL ASSEMBLY - LH	A
1	1001291505	1	Panel, LH	
2	1001291506	1	Panel, LH	
3	1001291507	1	Box, LH	
4	1001291604	1	Deck, LH	
5	1001298346	1	Mount, LH	
6	1001298350	1	Plate	
7	1001301604	3	Plug 1/4	
8	1001301605	8	Plug 3/8	
9	1001301606	2	Plug 1/2	
10	7114140650	25	Bolt 1/4 x 3/4	
11	7115161050	8	Bolt 3/8 x 1-1/4	
12	7661000064	7	U-Nut 1/4	
13	7950140003	25	Washer 1/4	
14	7950140143	25	Washer 1/4	
15	7950160000	8	Washer 3/8	
16	7950160161	8	Washer 3/8	

SECTION 4 - BODY

FIGURE 4-11. DECK SIDE PANEL ASSEMBLY - RH



ART_1001291611

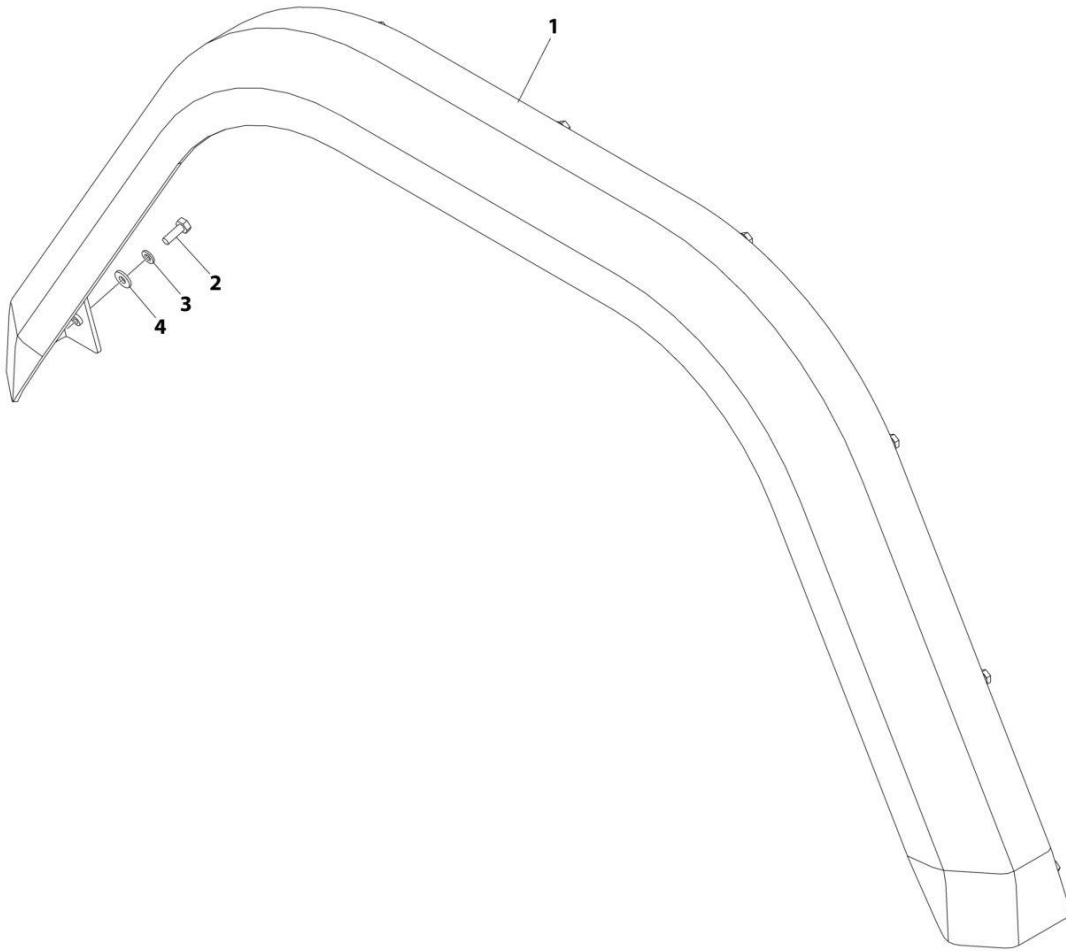
SECTION 4 - BODY

FIGURE 4-11. DECK SIDE PANEL ASSEMBLY - RH

ITEM	PART NUMBER	QTY	DESCRIPTION	REV
	1001291611	Ref	DECK SIDE PANEL ASSEMBLY - RH	A
1	1001291513	1	Panel, RH	
2	1001291514	1	Panel, RH	
3	1001291515	1	Box, RH	
4	1001291612	1	Deck, RH	
5	1001298348	1	Mount, RH	
6	1001298350	1	Plate	
7	1001301604	3	Plug 1/4	
8	1001301605	8	Plug 3/8	
9	1001301606	2	Plug 1/2	
10	7114140650	25	Bolt 1/4 x 3/4	
11	7115161050	8	Bolt 3/8 x 1-1/4	
12	7661000064	7	U-Nut 1/4	
13	7950140003	25	Washer 1/4	
14	7950140143	25	Washer 1/4	
15	7950160000	8	Washer 3/8	
16	7950160161	8	Washer 3/8	

SECTION 4 - BODY

FIGURE 4-12. FENDER FLARE INSTALLATION



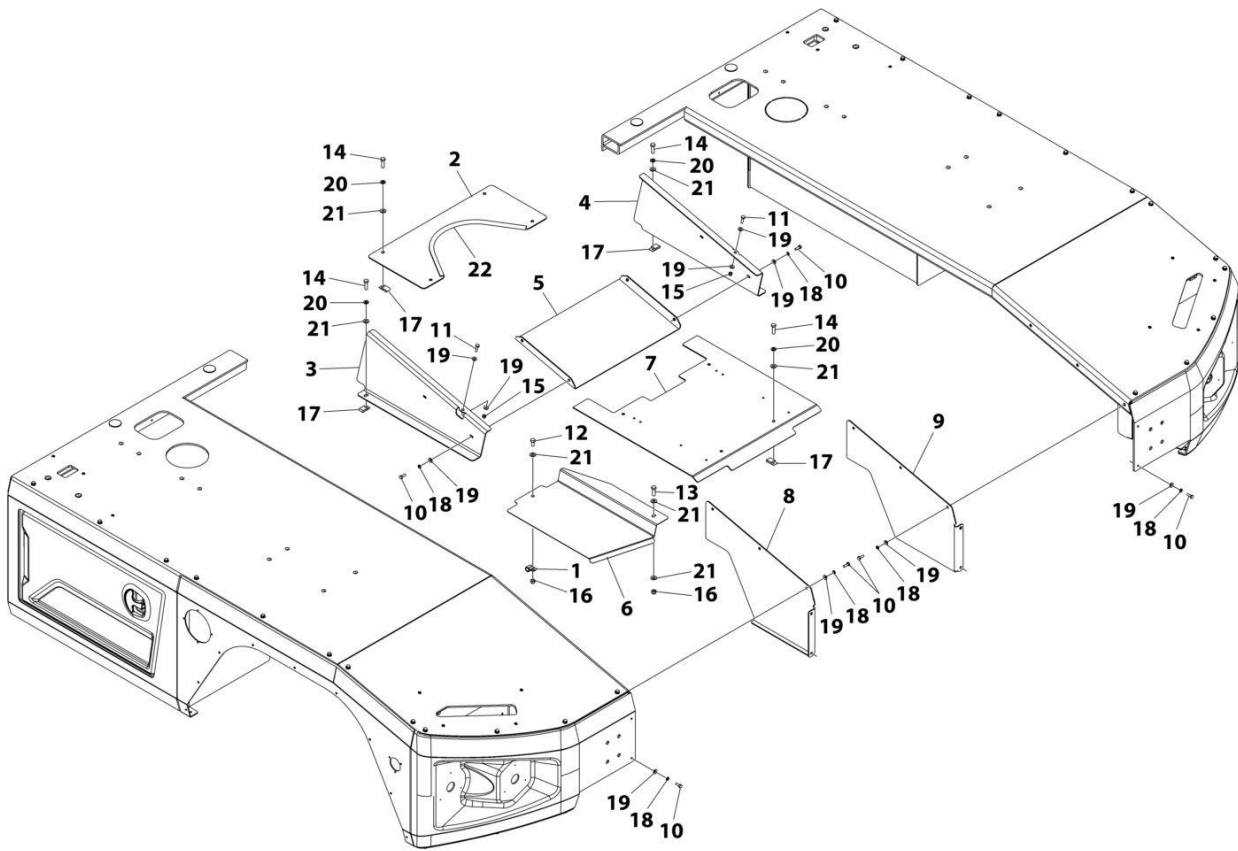
ART_1001291641

FIGURE 4-12. FENDER FLARE INSTALLATION

ITEM	PART NUMBER	QTY	DESCRIPTION	REV
	1001291641	Ref	FENDER FLARE INSTALLATION	A
1	1001291680	2	Fender	
2	7115140650	18	Bolt 1/4 x 3/4	
3	7950140003	18	Washer 1/4	
4	7950140143	18	Washer 1/4	

SECTION 4 - BODY

FIGURE 4-13. MID DECK COVER PLATES INSTALLATION



ART_1001301462

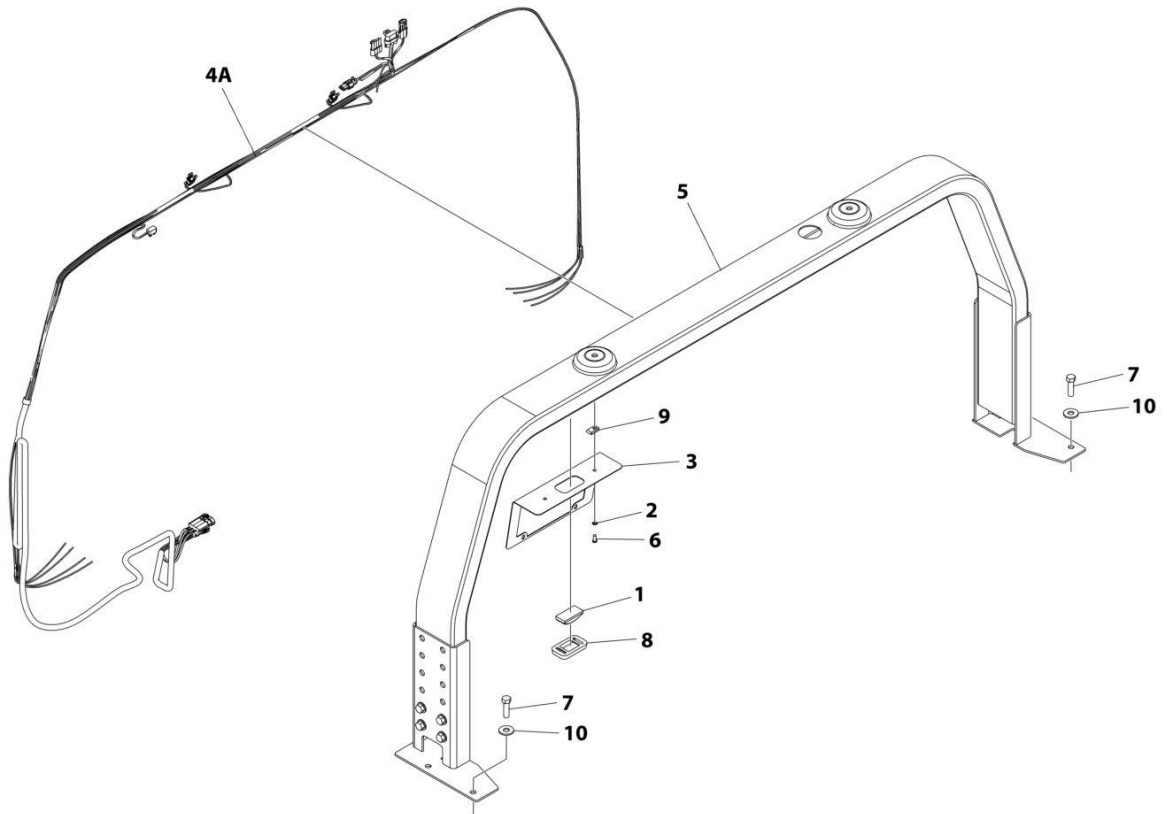
SECTION 4 - BODY

FIGURE 4-13. MID DECK COVER PLATES INSTALLATION

ITEM	PART NUMBER	QTY	DESCRIPTION	REV
	1001301462	Ref	MID DECK COVER PLATES INSTALLATION	A
1	85941016	1	Clamp	
2	1001301464	1	Plate (Front)	
3	1001301465	1	Plate (LH)	
4	1001301466	1	Plate (RH)	
5	1001301467	1	Panel (Center)	
6	1001301469	1	Plate (Center)	
7	1001301470	1	Plate (Rear)	
8	1001301471	1	Panel (LH)	
9	1001301473	1	Panel (RH)	
10	7114140650	14	Bolt 1/4 x 3/4	
11	7114140850	2	Capscrew 1/4 x 1	
12	7115160650	1	Bolt 3/8 x 3/4	
13	7115160950	1	Bolt 3/8 x 1-1/8	
14	7115161050	10	Bolt 3/8 x 1-1/4	
15	7660142601	2	Nut 1/4	
16	7660162601	2	Nut 3/8	
17	7661000029	10	Nut	
18	7950140003	14	Washer 1/4	
19	7950140143	18	Washer 1/4	
20	7950160000	10	Washer 3/8	
21	7950160143	13	Washer 3/8	
22	8632000012	2 ft	Trim Lock	

SECTION 4 - BODY

FIGURE 4-16. PYLON INSTALLATION - ADJUSTABLE



ART_1001291650

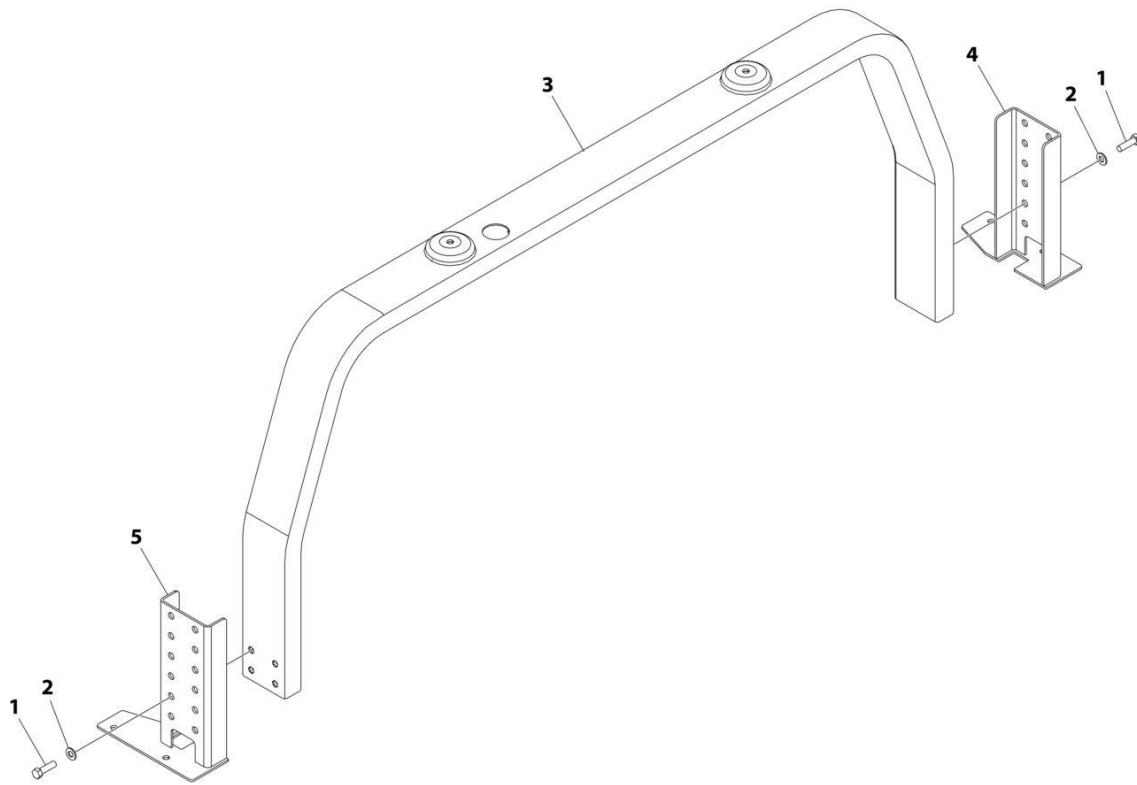
SECTION 4 - BODY

FIGURE 4-16. PYLON INSTALLATION - ADJUSTABLE

ITEM	PART NUMBER	QTY	DESCRIPTION	REV
	1001291650	Ref	PYLON INSTALLATION - ADJUSTABLE	A
1	1001142771	1	Light, Clear LED	
2	1001143686	2	Washer 1/4	
3	1001249938	1	Bracket, License Plate	
4	1001291368	1	Pylon Electrical Installation (Not Shown)	
4A	1001291067	1	Headboard Harness (See Separate Breakdown in ELECTRICAL Section)	
4B	7894000004	3	Tie-Strap (Not Shown)	
4C	0100048	AR	Compound, Locking (Not Shown)	
5	1001297109	1	Pylon Hoops & Mounts Installation (See Separate Breakdown in this Section)	
6	7114140518	2	Capscrew 1/4 x 5/8	
7	7115181450	4	Bolt 1/2 x 1-3/4	
8	7493000010	1	Grommet	
9	7661000019	2	U-Nut 1/4	
10	7950180161	4	Washer 1/2	

SECTION 4 - BODY

FIGURE 4-17. PYLON HOOPS & MOUNTS INSTALLATION



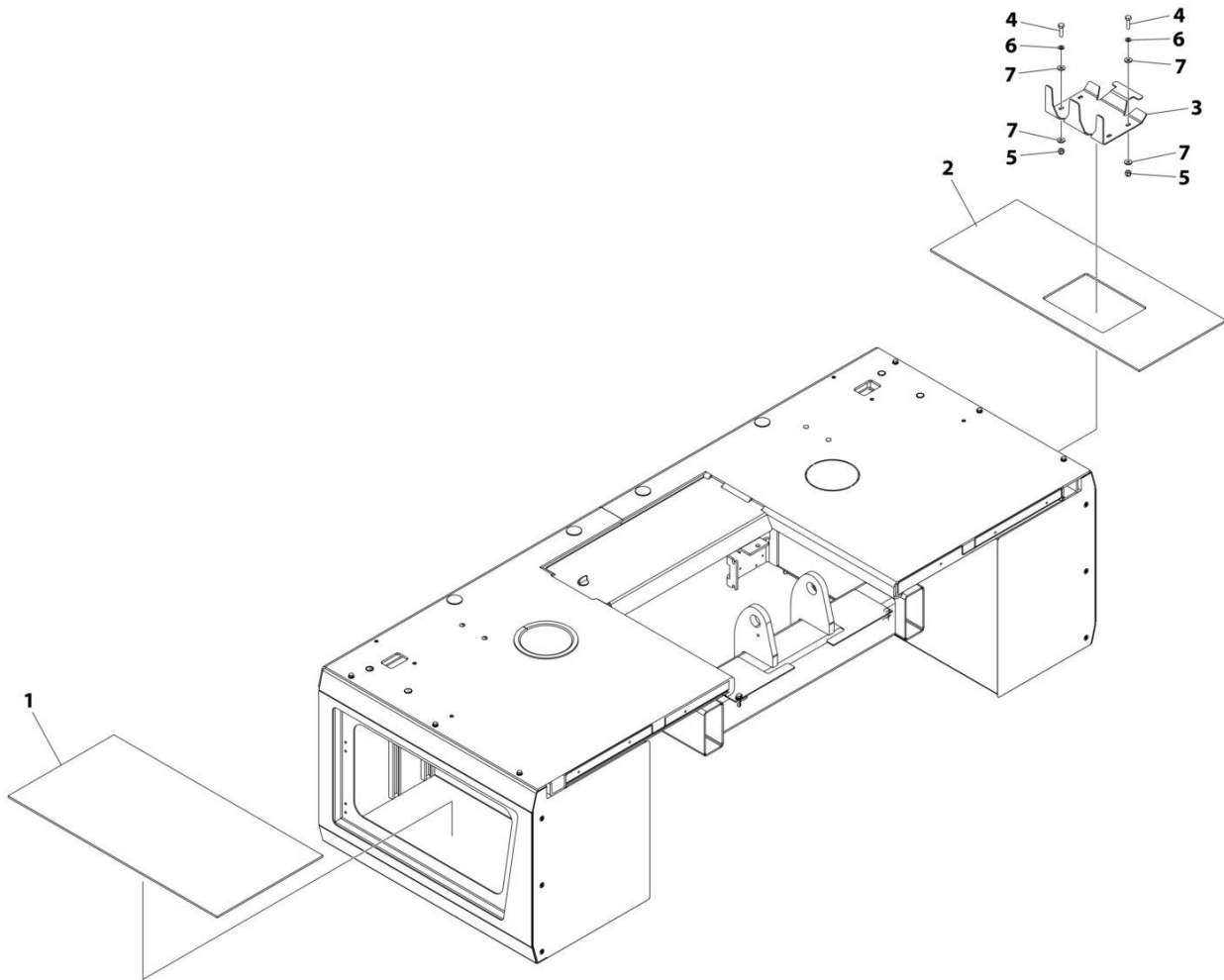
ART_1001297109

FIGURE 4-17. PYLON HOOPS & MOUNTS INSTALLATION

ITEM	PART NUMBER	QTY	DESCRIPTION	REV
	1001297109	Ref	PYLON HOOPS & MOUNTS INSTALLATION	A
1	0641814	8	Bolt 1/2 x 1-3/4	
2	4711800	8	Washer 1/2	
3	1001293466	1	Tube, Pylon	
4	1001295120	1	Mount, LH	
5	1001295121	1	Mount, RH	

SECTION 4 - BODY

FIGURE 4-19. TOOL BOX - FLOOR MATS INSTALLATION (WITH L_ARM SPACER STORAGE)



ART_1001297236

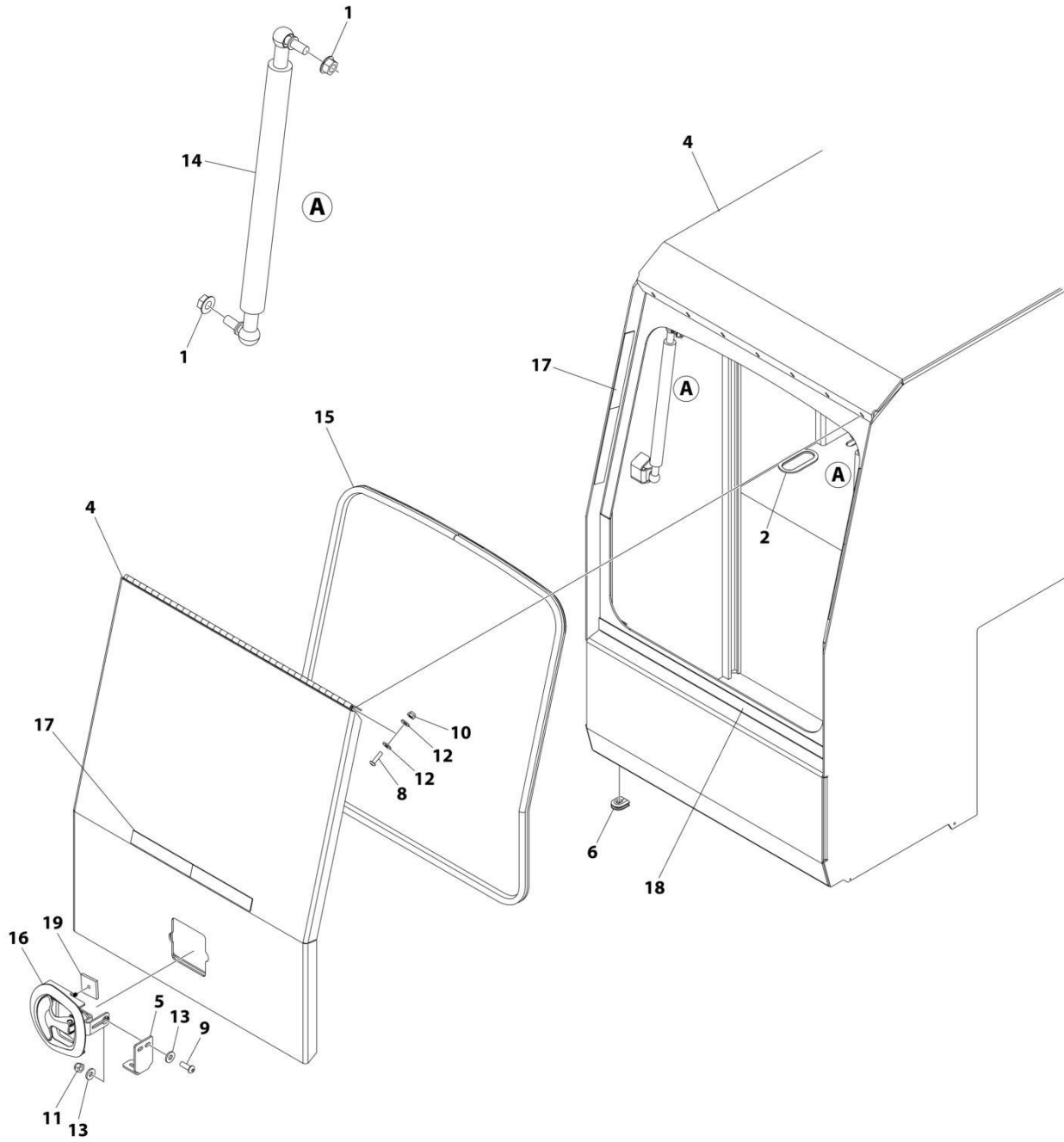
SECTION 4 - BODY

FIGURE 4-19. TOOL BOX - FLOOR MATS INSTALLATION (WITH L_ARM SPACER STORAGE)

ITEM	PART NUMBER	QTY	DESCRIPTION	REV
	1001297236	Ref	TOOL BOX - FLOOR MATS INSTALLATION	A
1	1001296519	1	Pad, LH	
2	1001296521	1	Pad, RH	
3	4178000721	1	Bracket	
4	7114140850	4	Capscrew 1/4 x 1	
5	7660142601	4	Nut 1/4	
6	7950140003	4	Washer 1/4	
7	7950140143	8	Washer 1/4	

SECTION 4 - BODY

FIGURE 4-21. TUNNEL ASSEMBLY - 24IN



ART_1001293173

SECTION 4 - BODY

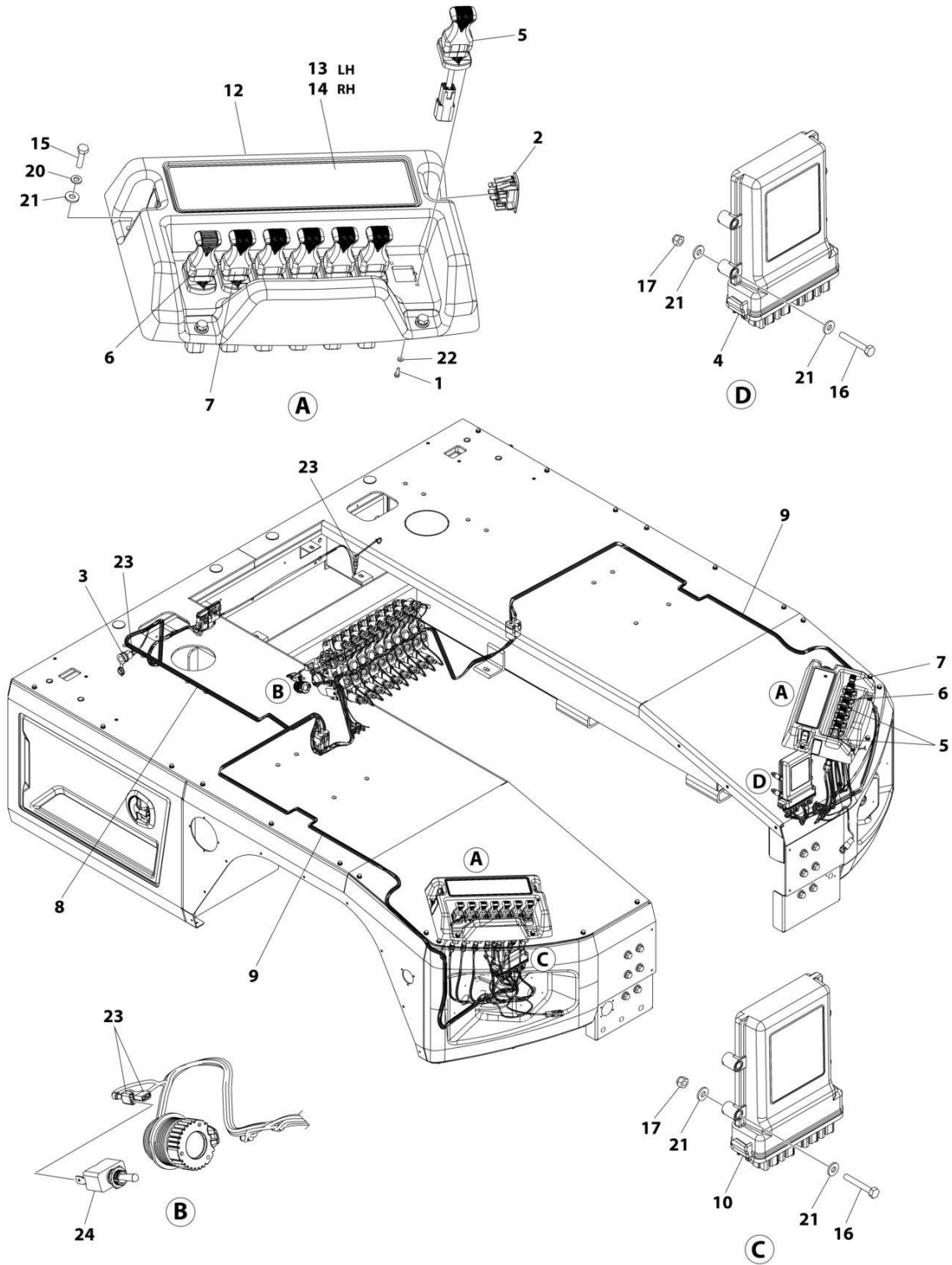
FIGURE 4-21. TUNNEL ASSEMBLY - 24IN

ITEM	PART NUMBER	QTY	DESCRIPTION	REV
	1001293173	Ref	TUNNEL ASSEMBLY - 24IN	B
1	3311508	8	Nut 5/16	
2	1001298632	1	Grommet	
4	1001293174	1	Box, Tunnel	
4	1001293214	1	Door	
5	1001293707	2	Support	
6	1001188590	2	Grommet	
8	7114100618	14	Capscrew #10 x 3/4	
9	7114140618	4	Capscrew 1/4 x 3/4	
10	7660102604	14	Nut #10	
11	7660142604	4	Nut 1/4	
12	7950100103	28	Washer #10	
13	7950140143	8	Washer 1/4	
14	1001297994	4	Spring, Gas	
15	1001293218	2	Seal	
16	1001294381	2	Latch, T-Handle	
17	4330000001	6	Decal - Red/White Reflective	
18	7330000428	2	Decal - Red/White Reflective	
19	4706005792	2	Bar	

SECTION 5 - CONTROLS

SECTION 5 - CONTROLS

FIGURE 5-2. CONTROLS INSTALLATION - 14 FUNCTION (HYDRAULIC GRID)



ART_1001296490

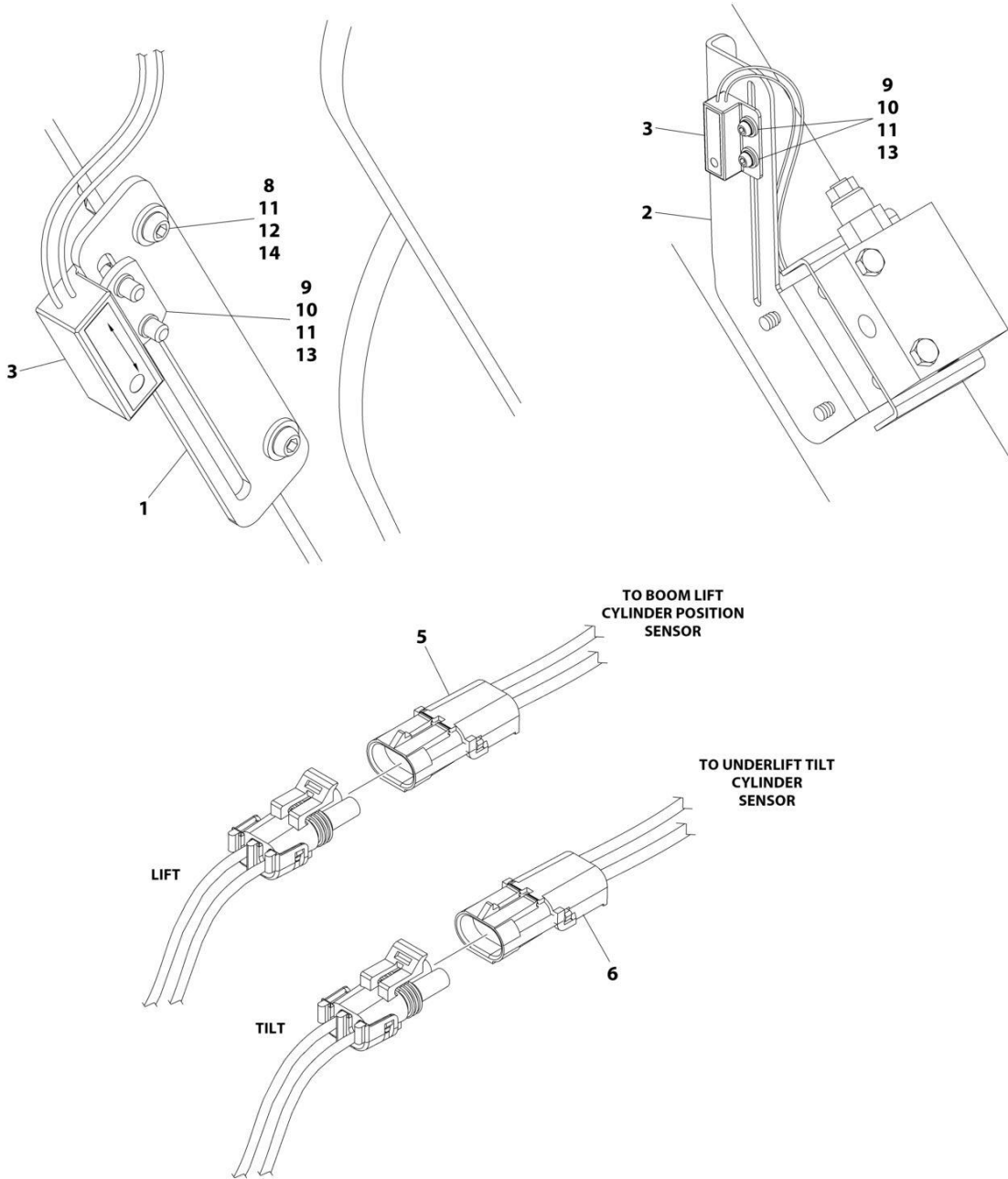
SECTION 5 - CONTROLS

FIGURE 5-2. CONTROLS INSTALLATION - 14 FUNCTION (HYDRAULIC GRID)

ITEM	PART NUMBER	QTY	DESCRIPTION	REV
	1001296490	Ref	CONTROLS INSTALLATION	A
1	0760305	28	Bolt M3 x 10	
2	1001131106	4	Plug	
3	1001201384	1	Socket	
4	1001250809	1	Module	
5	1001253353	10	Switch	
6	1001253354	2	Switch	
7	1001253355	2	Switch	
8	1001287947	1	Harness, Main Controls (See Separate Breakdown in this Section)	
9	1001287948	2	Harness, Control Station (See Separate Breakdown in this Section)	
10	1001291188	1	Module	
11	1001299438	1	Underlift Electrical Controls Installation (Not Shown) (See Separate Breakdown in this Section)	
12	1001300043	2	Panel, Controls	
13	1001300047	1	Decal - Controls LH	
14	1001300048	1	Decal - Controls RH	
15	7114140850	8	Capscrew 1/4 x 1	
16	7114141450	8	Capscrew 1/4 x 1-3/4	
17	7660142604	8	Nut 1/4	
18	7894000004	25	Tie-Strap (Not shown)	
19	7894000042	2	Tie-Strap (Not Shown)	
20	7950140003	8	Washer 1/4	
21	7950140143	24	Washer 1/4	
22	1001110544	28	Washer M3	
23	0100048	AR	Grease, Dielectric	
24	1001174496	1	Switch, Toggle	

SECTION 5 - CONTROLS

FIGURE 5-3. UNDERLIFT ELECTRICAL CONTROLS INSTALLATION



ART_1001299438

SECTION 5 - CONTROLS

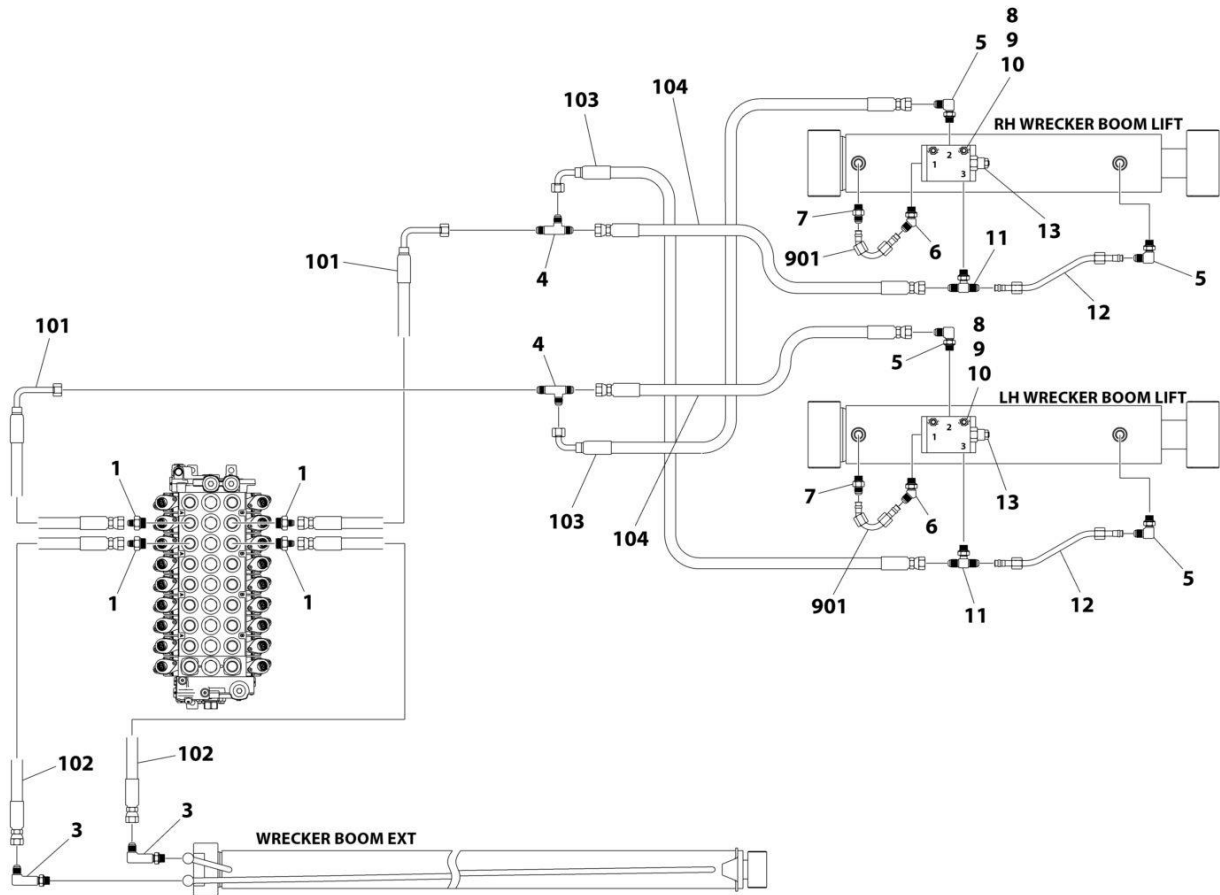
FIGURE 5-3. UNDERLIFT ELECTRICAL CONTROLS INSTALLATION

ITEM	PART NUMBER	QTY	DESCRIPTION	REV
	1001299438	Ref	UNDERLIFT ELECTRICAL CONTROLS INSTALLATION	A
1	4178000709	1	Bracket	
2	4178000707	1	Bracket	
3	1001294672	2	Switch, Proximity	
5	7552000367	1	Underlift Level Switch Harness (Lift Cylinder)	
5	80963058	2	Connector	
5	4460475	4	Terminal	
5	91364009	4	Seal	
6	7552000368	1	Underlift Level Switch Harness (Tilt Cylinder)	
6	80963058	2	Connector	
6	4460475	4	Terminal	
6	91364009	4	Seal	
8	7114100818	2	Capscrew #10 x 1	
9	7114100518	4	Capscrew #10 x 5/8	
10	7950100003	4	Washer 3/16	
11	7950100103	8	Washer #10	
12	7950100163	8	Washer #10	
13	1001295084	2	Nut #10	
14	7660102604	2	Nut #10	
15	7894000042	4	Tie-Strap (Not Shown)	
16	5526000553	10	Tie-Strap (Not Shown)	

SECTION 6 - HYDRAULIC

SECTION 6 - HYDRAULIC

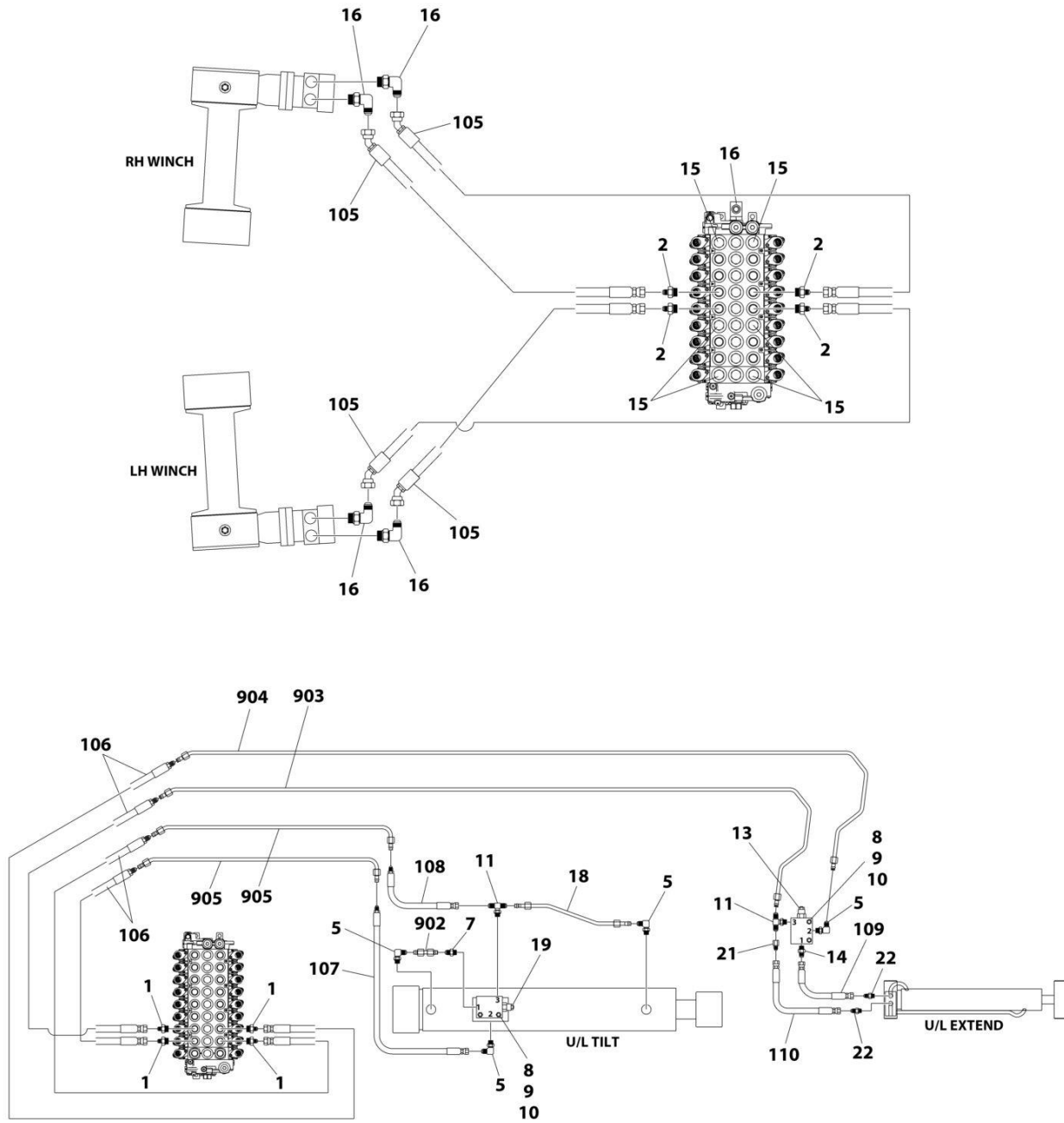
FIGURE 6-1. HOSE INSTALLATION - STANDARD



ART_1001296059_10F3

SECTION 6 - HYDRAULIC

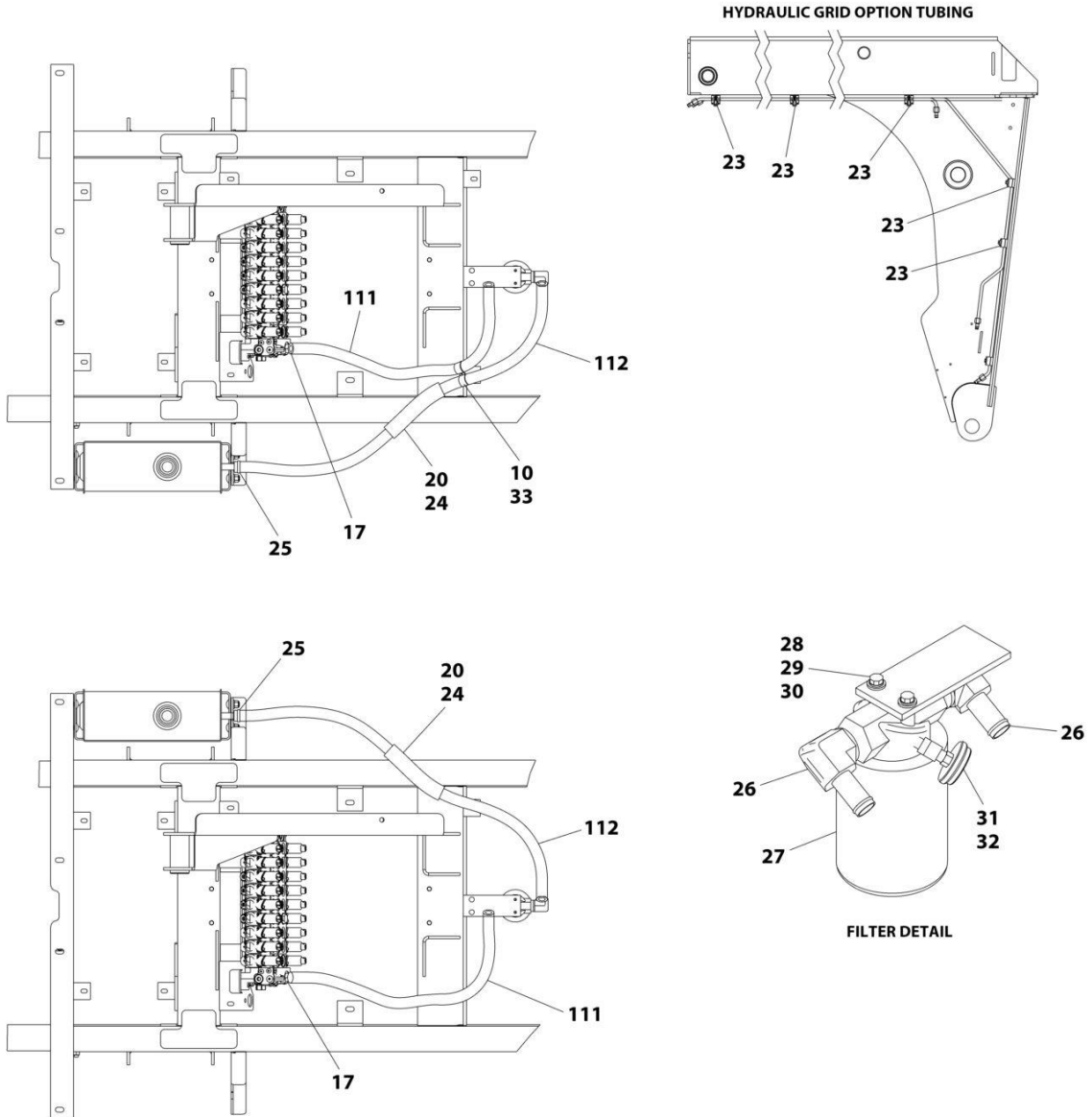
FIGURE 6-2. HOSE INSTALLATION - STANDARD



ART_1001296059_20F3

SECTION 6 - HYDRAULIC

FIGURE 6-3. HOSE INSTALLATION - STANDARD



ART_1001296059_30F3

SECTION 6 - HYDRAULIC

FIGURE 6-3. HOSE INSTALLATION - STANDARD

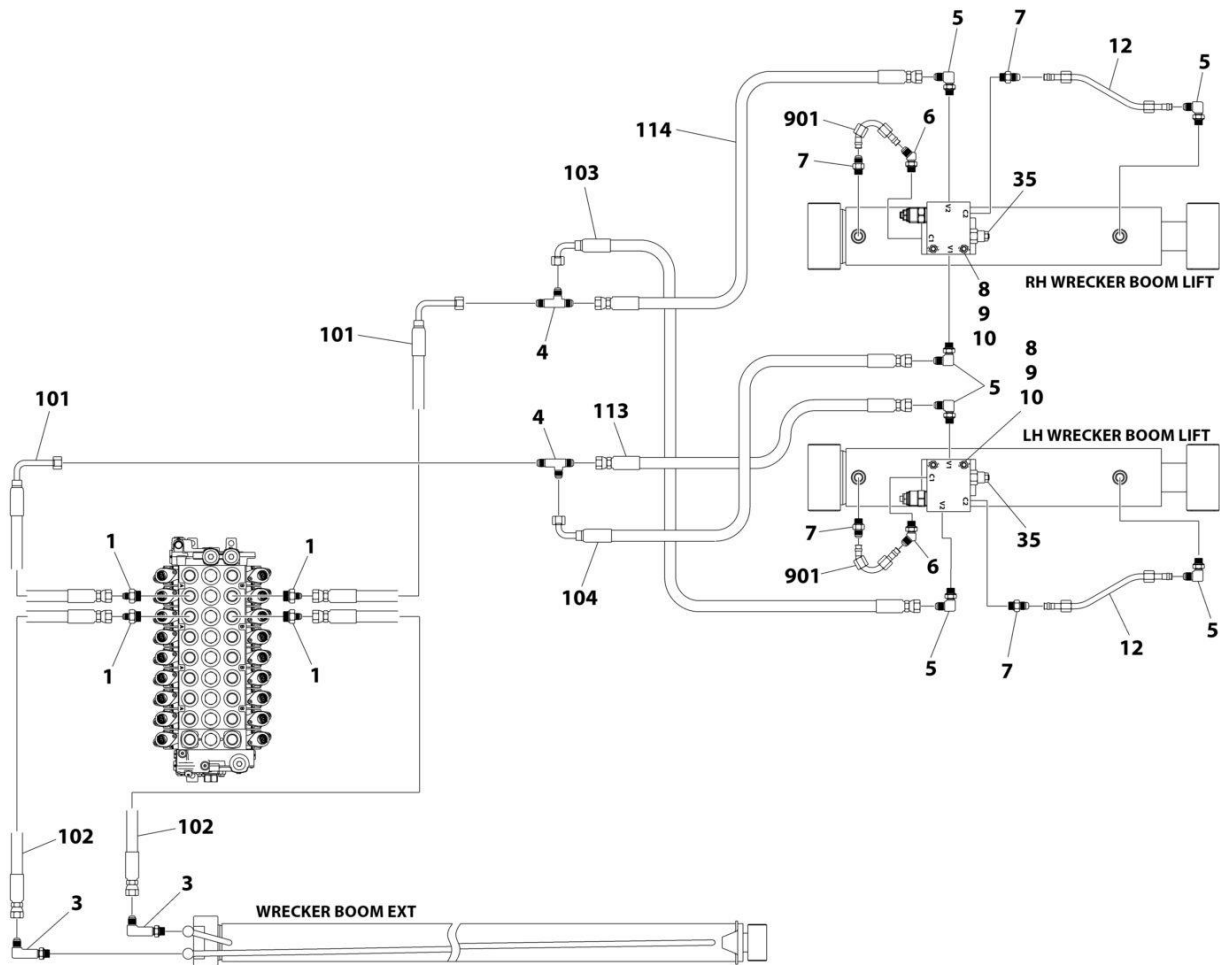
ITEM	PART NUMBER	QTY	DESCRIPTION	REV
	1001296059	Ref	HOSE INSTALLATION	A
1	2220497	10	Fitting, Straight	
2	2220374	4	Fitting, Straight	
3	2220819	2	Fitting, 90	
4	7443000372	2	Fitting, Tee	
5	2220473	8	Fitting, 90	
6	2220501	2	Fitting, 45	
7	2220371	3	Fitting, Straight	
8	0641516	8	Bolt 5/16 x 2	
9	4751500	8	Washer 5/16	
10	7660152601	10	Nut 5/16	
11	2220899	4	Fitting, Tee	
12	7912000204	2	Tube	
13	7935000308	3	Valve Assembly	
13		Ref	Cartridge	
13	9935930102	3	Seal Kit - Cartridge	
14	2220582	1	Fitting, Straight	
15	2220239	6	Plug	
16	2220671	5	Fitting, 90	
17	7443000446	1	Fitting, Straight	
18	7912000205	1	Tube	
19	1001274434	1	Valve, Counterbalance	
20	5526000553	25	Tie-Strap	
21	7443000105	1	Reducer	
22	2220415	2	Fitting, Straight	
23	1001131306	13	Clamp	
24	8565000007	3 ft/1 m	Hose	
25	7274000080	4	Clamp	
26	7443000319	2	Fitting, 90	
27	7430000003	1	Filter Assembly	
28	7114140618	2	Capscrew 1/4 x 3/4	
29	7950140003	2	Washer 1/4	
30	7950140143	2	Washer 1/4	
31	7470000002	1	Gauge, Oil Filter Head	
32	7443000066	1	Fitting, 45	
33	7274000041	2	Clamp	
100	1001296070	1	Hose, Kit (Not Shown)	
101	4567123029	2	Hose	
102	4567120060	2	Hose	
103	4567122023	2	Hose	
104	4567120016	2	Hose	
105	1001213134	4	Hose	
106	1001294871	4	Hose	
107	4569120017	1	Hose	
108	4569120018	1	Hose	
109	4567110024	1	Hose	
110	4567110025	1	Hose	
111	4570000364	1	Hose	
112	1001130043	1	Hose	
900	7577000622	1	Tube, Kit (Not Shown)	

SECTION 6 - HYDRAULIC

ITEM	PART NUMBER	QTY	DESCRIPTION	REV
901	7912000028	2	Tube	
902	7912000078	1	Tube	
903	7912000200	1	Tube	
904	7912000201	1	Tube	
905	7912000203	2	Tube	

SECTION 6 - HYDRAULIC

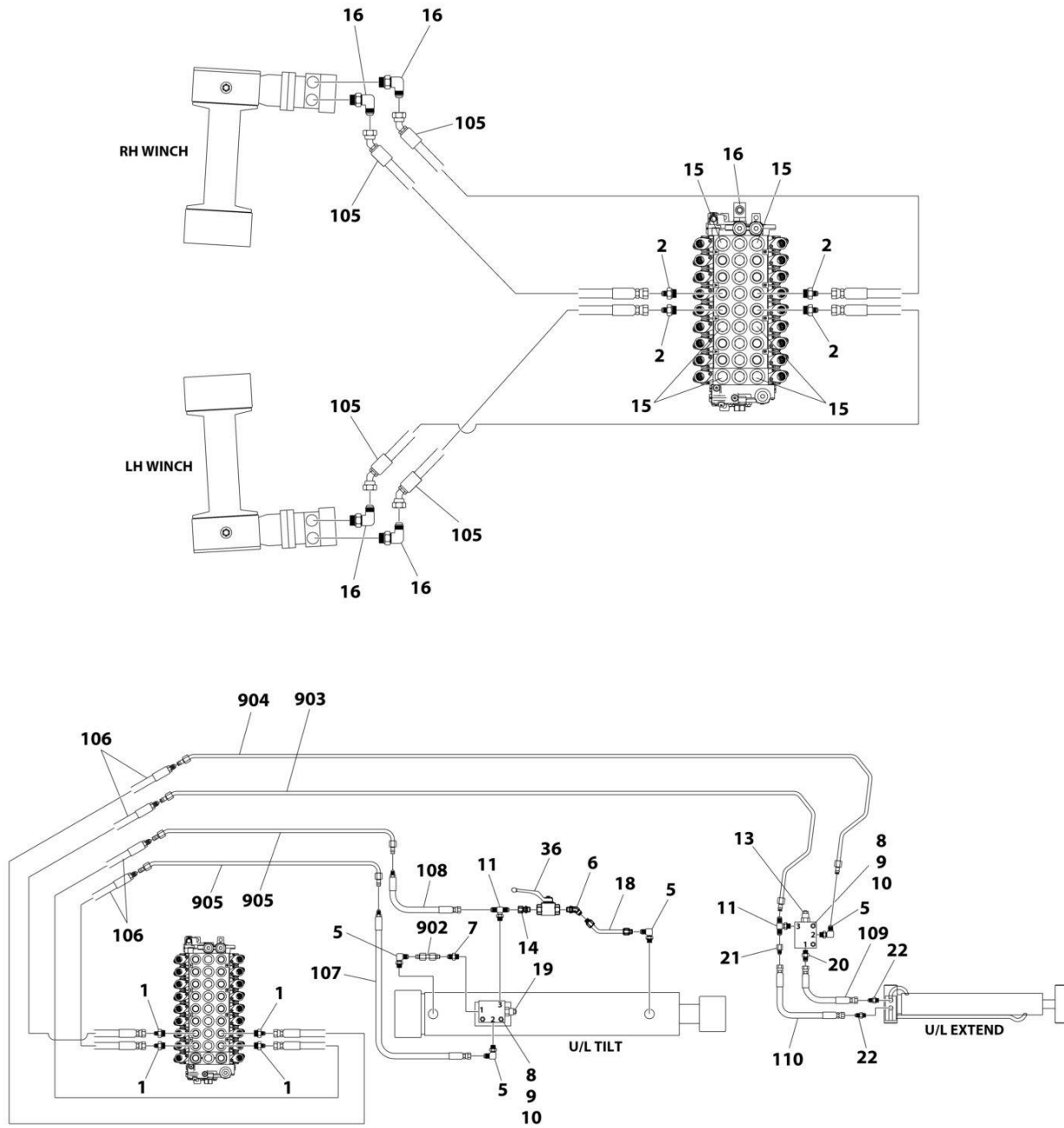
FIGURE 6-4. HOSE INSTALLATION - WITH UNDERLIFT SHEAVE (NO SPADE)



ART_1001296097_10F3

SECTION 6 - HYDRAULIC

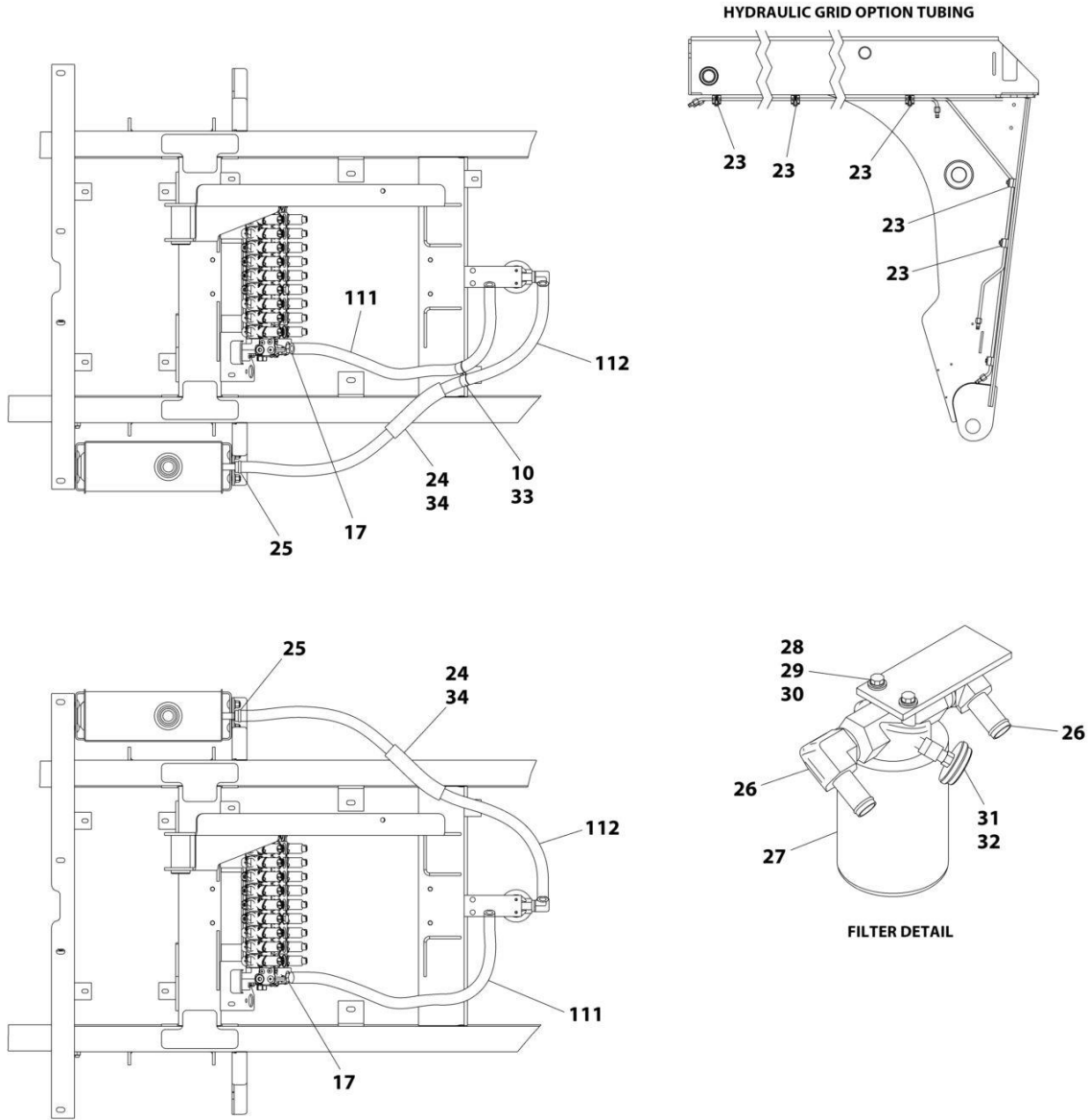
FIGURE 6-5. HOSE INSTALLATION - WITH UNDERLIFT SHEAVE (NO SPADE)



ART_1001296097_2OF3

SECTION 6 - HYDRAULIC

FIGURE 6-6. HOSE INSTALLATION - WITH UNDERLIFT SHEAVE (NO SPADE)



ART_1001296097_3OF3

SECTION 6 - HYDRAULIC

FIGURE 6-6. HOSE INSTALLATION - WITH UNDERLIFT SHEAVE (NO SPADE)

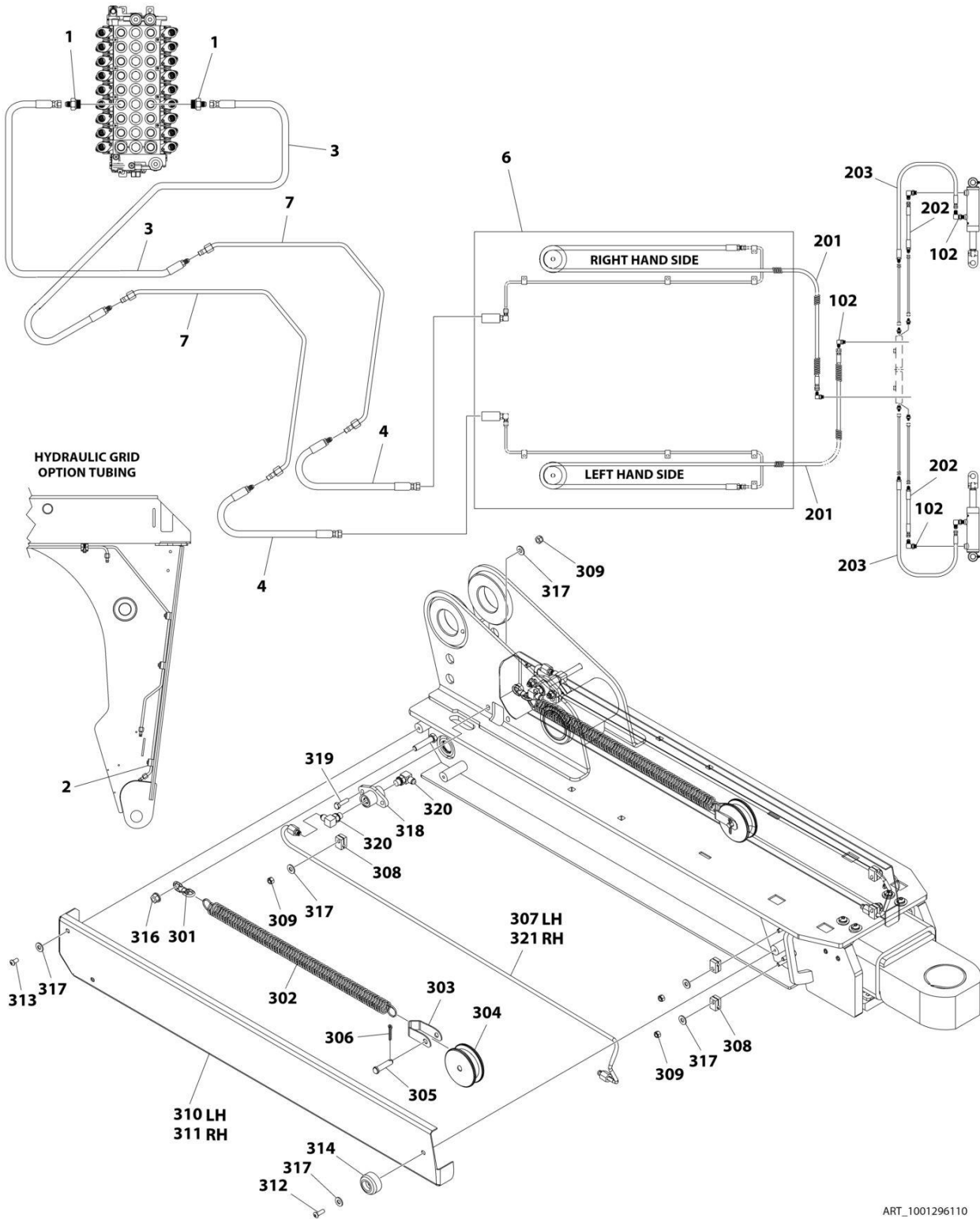
ITEM	PART NUMBER	QTY	DESCRIPTION	REV
	1001296097	Ref	HOSE INSTALLATION	A
1	2220497	10	Fitting, Straight	
2	2220374	4	Fitting, Straight	
3	2220819	2	Fitting, 90	
4	7443000372	2	Fitting, Tee	
5	2220473	10	Fitting, 90	
6	2220501	3	Fitting, 45	
7	2220371	5	Fitting, Straight	
8	0641516	8	Bolt 5/16 x 2	
9	4751500	8	Washer 5/16	
10	7660152601	10	Nut 5/16	
11	2220899	2	Fitting, Tee	
12	7912000330	2	Tube	
13	7935000308	1	Valve Assembly	
13		Ref	Cartridge	
13	9935930102	1	Seal Kit - Cartridge	
14	7445060698	1	Fitting, Straight	
15	2220239	6	Plug	
16	2220671	5	Fitting, 90	
17	7443000446	1	Fitting	
18	7912000324	1	Tube	
19	1001274434	1	Valve, Counterbalance	
20	2220582	1	Fitting, Straight	
21	7443000105	1	Reducer	
22	2220415	2	Fitting, Straight	
23	1001131306	13	Clamp	
24	8565000007	3 ft/1 m	Hose	
25	7274000080	4	Clamp	
26	7443000319	2	Fitting, 90	
27	7430000003	1	Filter Assembly	
28	7114140618	2	Capscrew 1/4 x 3/4	
29	7950140003	2	Washer 1/4	
30	7950140143	2	Washer 1/4	
31	7470000002	1	Gauge, Oil Filter Head	
32	7443000066	1	Fitting, 45	
33	7274000041	2	Clamp	
34	5526000553	25	Tie-Strap (Not Shown)	
35	7935000358	2	Valve Assembly	
35		Ref	Cartridge	
35	9935930102	2	Seal Kit - Cartridge	
36	7935000345	1	Valve	
100	1001296098	1	Hose, Kit (Not Shown)	
101	4567123029	2	Hose	
102	4567120060	2	Hose	
103	4567122023	1	Hose	
104	4567120016	1	Hose	
105	1001213134	4	Hose	
106	1001294871	4	Hose	
107	4569120017	1	Hose	
108	4569120018	1	Hose	

SECTION 6 - HYDRAULIC

ITEM	PART NUMBER	QTY	DESCRIPTION	REV
109	4567110024	1	Hose	
110	4567110025	1	Hose	
111	4570000364	1	Hose	
112	1001130043	1	Hose	
113	4567011018	1	Hose	
114	4567120021	1	Hose	
900	7577000622	1	Tube, Kit (Not Shown)	
901	7912000028	2	Tube	
902	7912000078	1	Tube	
903	7912000200	1	Tube	
904	7912000201	1	Tube	
905	7912000203	2	Tube	

SECTION 6 - HYDRAULIC

FIGURE 6-7. HOSE INSTALLATION - HYDRAULIC GRIDS



ART_1001296110

SECTION 6 - HYDRAULIC

FIGURE 6-7. HOSE INSTALLATION - HYDRAULIC GRIDS

ITEM	PART NUMBER	QTY	DESCRIPTION	REV
	1001296110	Ref	HOSE INSTALLATION - HYDRAULIC GRIDS	A
1	2220497	2	Fitting, Straight	
2	1001131323	2	Clamp	
3	1001294871	2	Hose	
4	4570000229	2	Hose	
5	3509530061	1	Hydraulic Components (Not Shown - See Items 102 & 105 for Breakdown)	
6	3509870046	1	Track Assembly (See Items 301-321 for Breakdown)	
7	7912000202	2	Tube	
	3509530061	Ref	HYDRAULIC COMPONENTS	B
102	7445040445	6	Fitting, 90	
105	7577000629	1	Hose Kit - Grids (Not Shown - See Items 201-203 for Breakdown)	
	7577000629	Ref	HOSE KIT - GRIDS	0
201	4570000210	2	Hose	
202	4570000211	2	Hose	
203	4570000212	2	Hose	
	3509870046	Ref	TRACK ASSEMBLY	B
301	7592000004	2	Swivel	
302	7843000031	2	Spring	
303	4706003501	2	Plate	
304	7719000004	2	Roller	
305	7691000040	2	Clevis	
306	7691000042	2	Cotter Pin	
307	7912000346	1	Tube Assembly	
308	7274000073	6	Clamp, Hose	
309	7660142604	10	Nut 1/4	
310	4706004066	1	Plate, LH	
311	4706004067	1	Plate, RH	
312	7114140618	2	Capscrew 1/4 x 3/4	
313	7114140427	4	Capscrew 1/4 x 1/2	
314	7189000019	2	Rubber Bumper	
316	7660162301	2	Nut 3/8	
317	7950140143	16	Washer 1/4	
318	3619000001	2	Manifold	
319	7115140850	4	Capscrew 1/4 x 1	
320	7445040445	4	Fitting, 90	
321	7912000347	1	Tube Assembly	

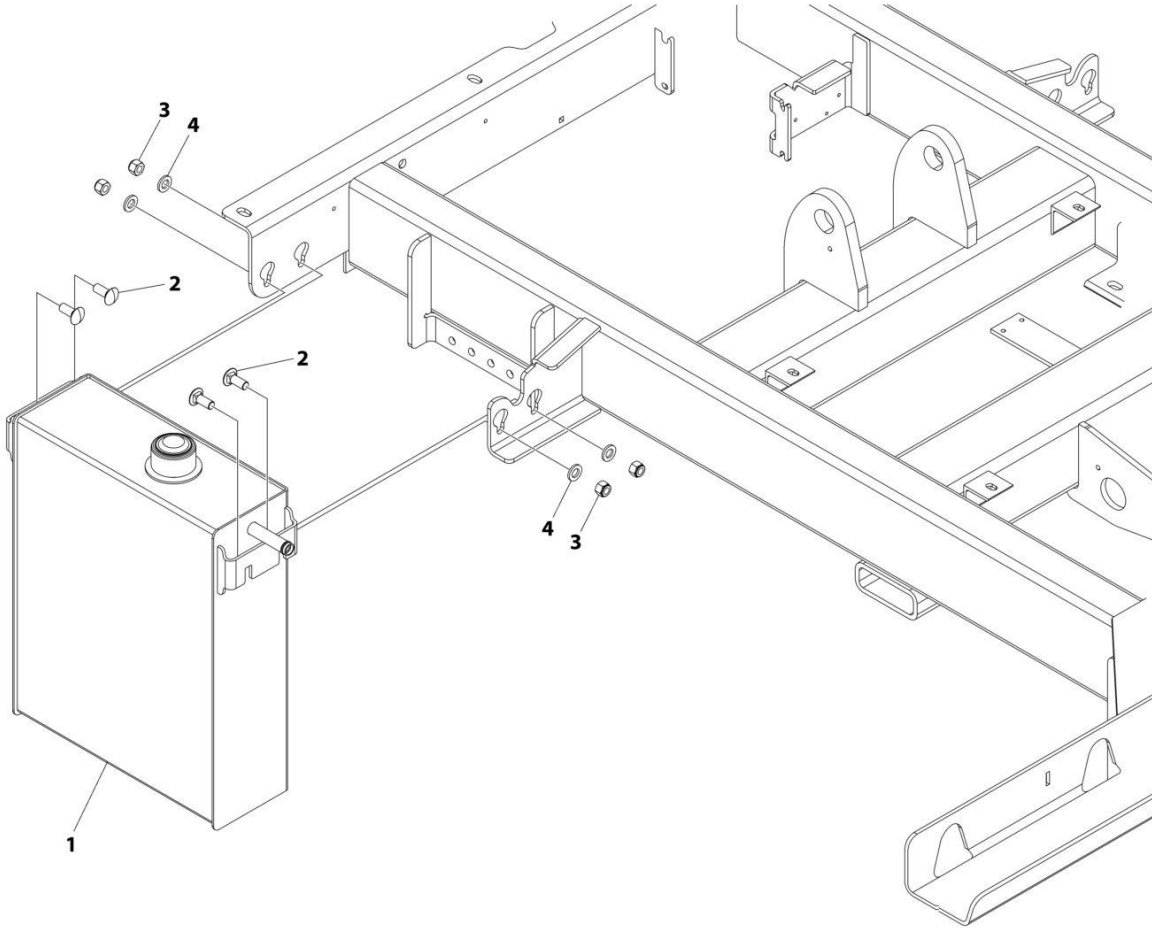
SECTION 6 - HYDRAULIC

FIGURE 6-24. HOSE AND CLAMP INSTALLATION (FORD PTO - 203IN WB)

ITEM	PART NUMBER	QTY	DESCRIPTION	REV
	1001296182	Ref	HOSE AND CLAMP INSTALLATION	A
1	1001132617	1	Hose	
2	4567130212	1	Hose	
3	4706003844	2	Plate	
4	5526000553	6	Tie-Strap (Not Shown)	
5	7115151064	5	Bolt 5/16 x 1-1/4	
6	7274000002	2	Clamp	
7	7274000040	5	Clamp	
8	7274000042	1	Clamp	
9	7443000013	1	Nipple	
10	7660152601	10	Nut 5/16	
11	7950150161	9	Washer 5/16	
12	8565000007	1 ft	Hose	
13	7115151050	2	Bolt 5/16 x 1-1/4	
400	1001132794	3	Clamp, Hose Kit (Not Shown)	
401	7785152420	3	Screw 5/16 x 1-1/2	
402	7274000076	3	Clamp	
403	7660152601	6	Nut 5/16	
404	7115151050	3	Bolt 5/16 x 1-1/4	
405	7274000042	3	Clamp	
406	7274000040	3	Clamp	
407	7950150161	3	Washer 5/16	
500	1001132800	3	Clamp, Hose Kit (Not Shown)	
501	4706003844	3	Plate	
502	7115151064	3	Bolt 5/16 x 1-1/4	
503	7660152601	6	Nut 5/16	
504	7950150161	9	Washer 5/16	
505	7115151050	3	Bolt 5/16 x 1-1/4	
506	7274000040	3	Clamp	
507	7274000042	3	Clamp	

SECTION 6 - HYDRAULIC

FIGURE 6-25. TANK (HYDRAULIC) INSTALLATION



ART_2509650093

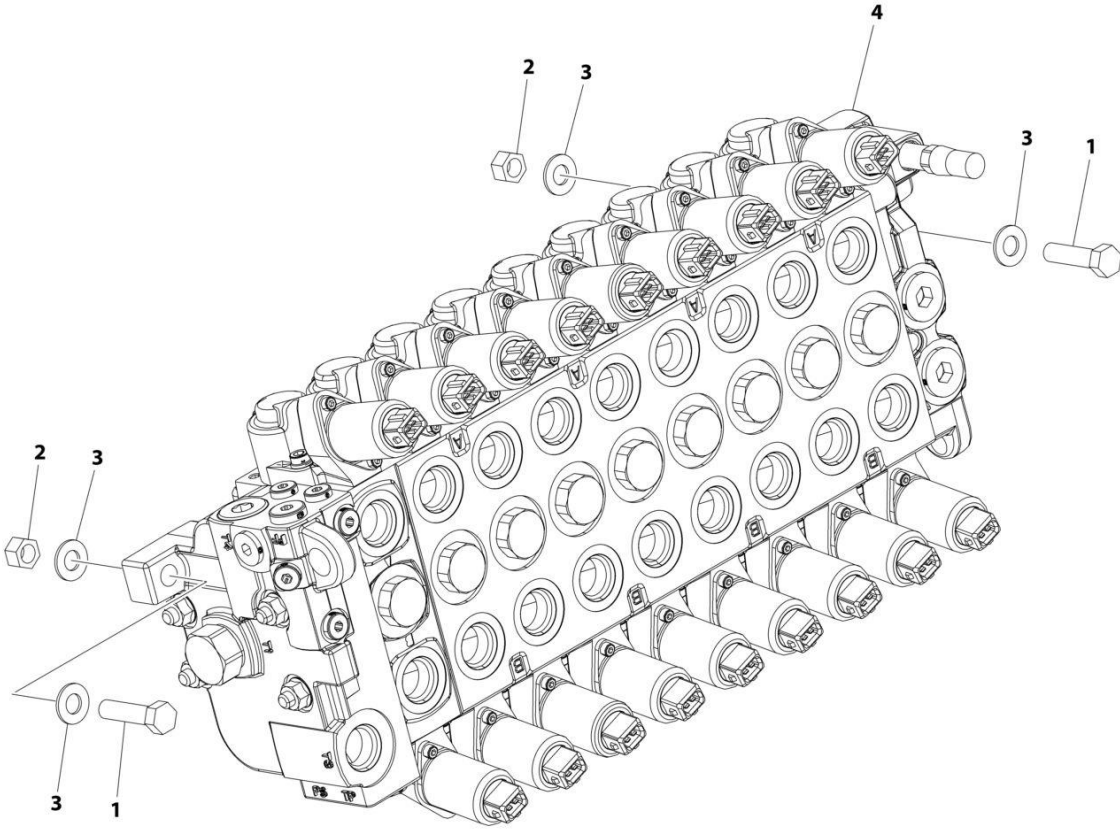
SECTION 6 - HYDRAULIC

FIGURE 6-25. TANK (HYDRAULIC) INSTALLATION

ITEM	PART NUMBER	QTY	DESCRIPTION	REV
	2509650093	Ref	TANK (HYDRAULIC) INSTALLATION	0
1	3750000061	1	Tank, Hydraulic	
2	7115181064	4	Bolt 1/2 x 1-1/4	
3	7660182601	4	Nut 1/2	
4	7950180153	4	Washer 1/2	

SECTION 6 - HYDRAULIC

FIGURE 6-26. VALVE INSTALLATION - MPL



ART_1001296215

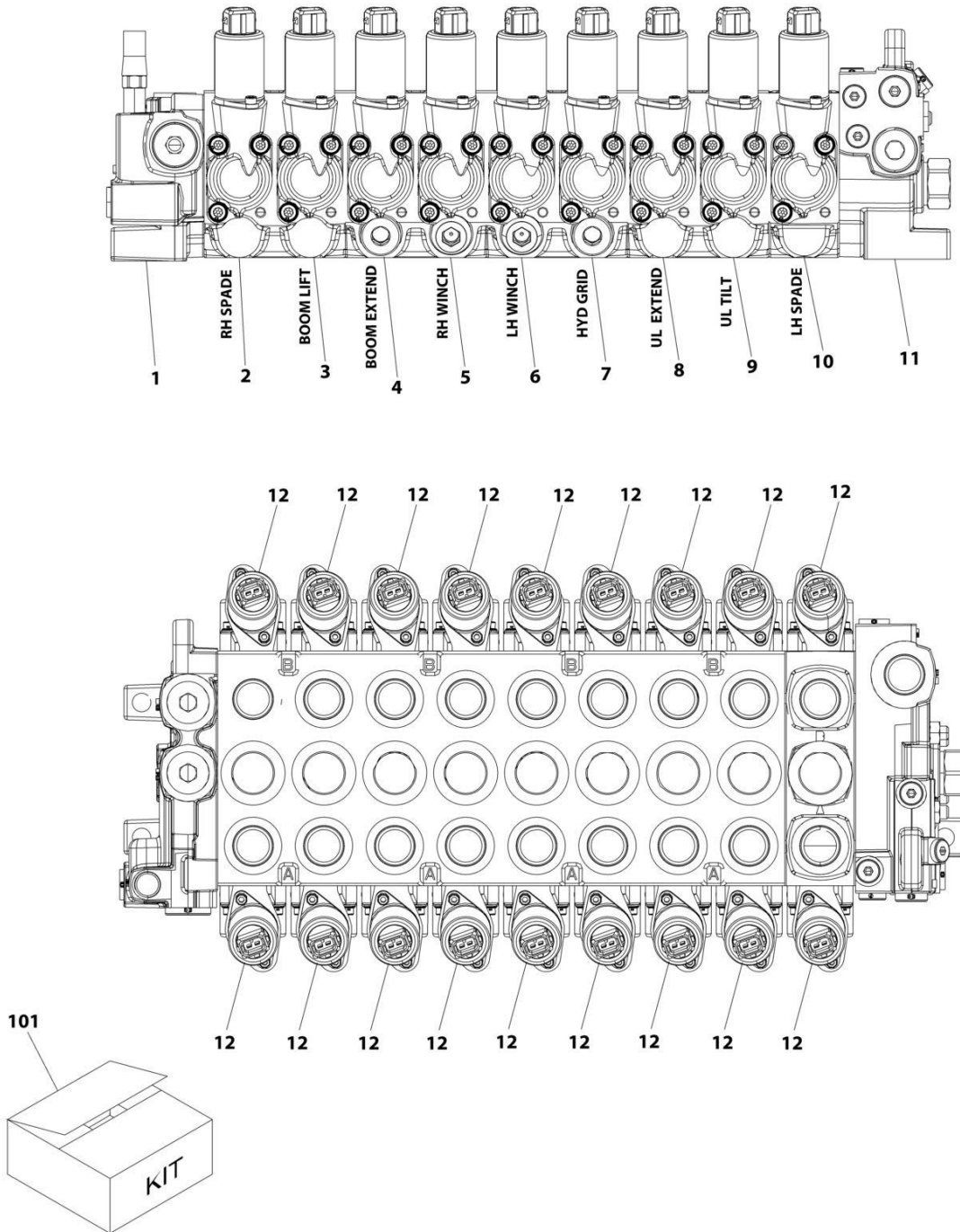
SECTION 6 - HYDRAULIC

FIGURE 6-26. VALVE INSTALLATION - MPL

ITEM	PART NUMBER	QTY	DESCRIPTION	REV
	1001296215	Ref	MPL VALVE INSTALLATION	A
1	0641612	3	Bolt 3/8 x 1-1/2	
2	3311605	3	Nut 3/8	
3	4711600	6	Washer 3/8	
4	1001291186	1	MPL Valve Assembly (See Separate Breakdown in this Section)	

SECTION 6 - HYDRAULIC

FIGURE 6-27. VALVE ASSEMBLY - MPL



ART_1001291186

SECTION 6 - HYDRAULIC

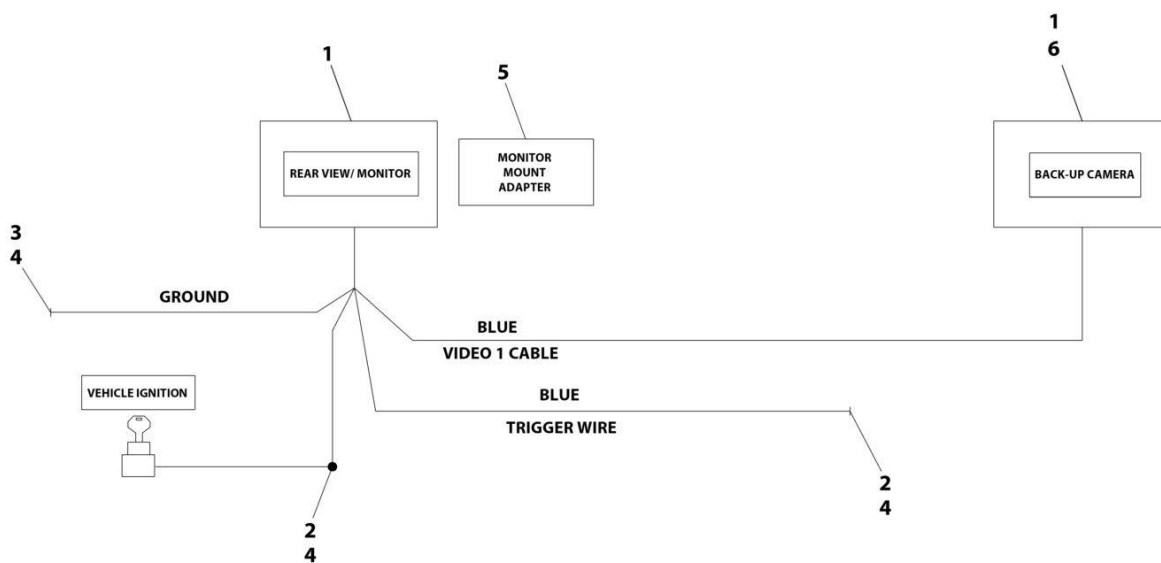
FIGURE 6-27. VALVE ASSEMBLY - MPL

ITEM	PART NUMBER	QTY	DESCRIPTION	REV
	1001291186	Ref	VALVE, CONTROL 9 SECTION - 9 SOLENOID	D
1	70070150	1	Inlet Section	
2	70070143	1	RH Spade Section	
3	70070143	1	Boom Lift Section	
4	70070144	1	Boom Ext Section	
5	70070144	1	RH Winch Section	
6	70070145	1	LH Winch Section	
7	70070145	1	HYD Grid Section	
8	70070147	1	UL Ext Section	
9	70070147	1	UL Lift Section	
10	70070148	1	LH Spade Section	
11	70070149	1	End Section	
12	70070160	18	Solenoid	
101	7029088	1	Seal Kit, Intersection	

SECTION 7 - ELECTRICAL

SECTION 7 - ELECTRICAL

FIGURE 7-1. BACKUP CAMERA, REAR VIEW MIRROR



ART_1001142974_D

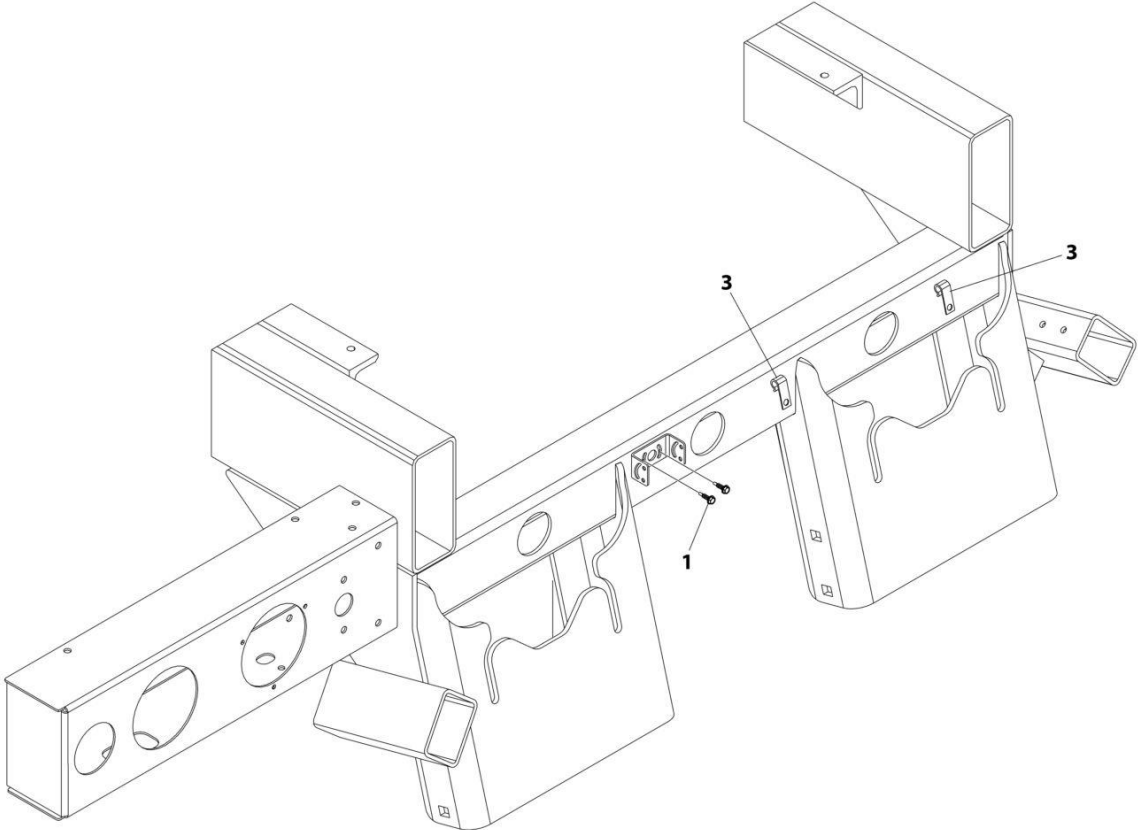
SECTION 7 - ELECTRICAL

FIGURE 7-1. BACKUP CAMERA, REAR VIEW MIRROR

ITEM	PART NUMBER	QTY	DESCRIPTION	REV
	1001142974	Ref	BACKUP CAMERA IN REAR VIEW MIRROR INSTALLATION	D
1	1001273600	1	Camera System	
2	7345001914	2	Terminal	
3	7345221902	1	Terminal	
4	7346000039	AR	Tubing	
6	7120000034	1	SCREW #10 X .75" SELF DRILLING	
7	7280000018	AR	Clip (Not Shown)	
8	5525000537	AR	Wire (Not Shown)	
9	7894000010	AR	Strap, Tie (Not Shown)	

SECTION 7 - ELECTRICAL

FIGURE 7-2. BACKUP CAMERA, CHASSIS SUPPLIED



ART_1001220181

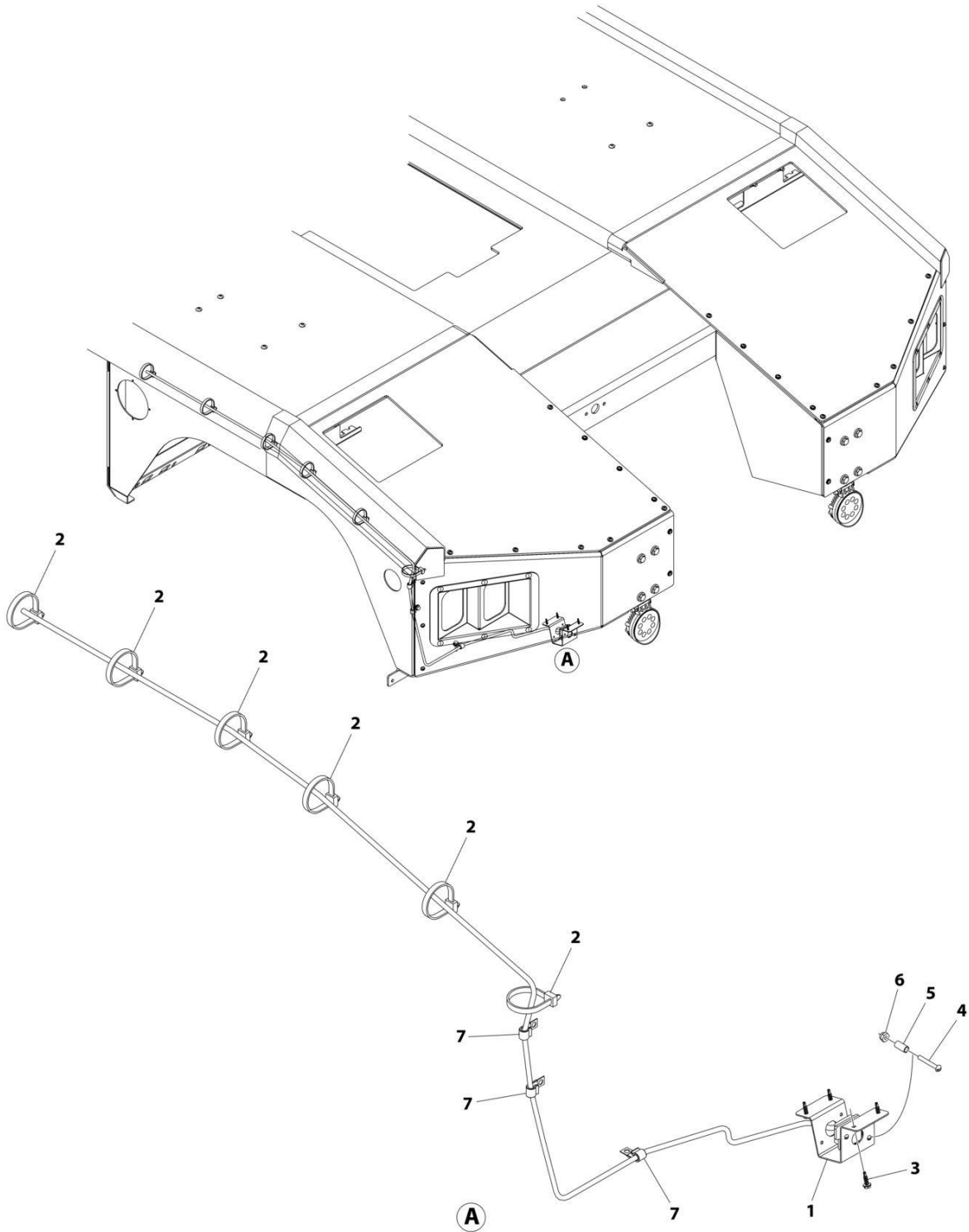
SECTION 7 - ELECTRICAL

FIGURE 7-2. BACKUP CAMERA, CHASSIS SUPPLIED

ITEM	PART NUMBER	QTY	DESCRIPTION	REV
	1001220181	Ref	Backup Camera Installation - Chassis (OEM Supplied)	C
1	7120000034	2	Screw #10 x 3/4	
2	5526000553	40	Tie Strap	
3	7280000018	2	Clip	

SECTION 7 - ELECTRICAL

FIGURE 7-3. BACK UP CAMERA INSTALLATION - CHASSIS SUPPLIED (CV515 ONLY)



ART_1001255485

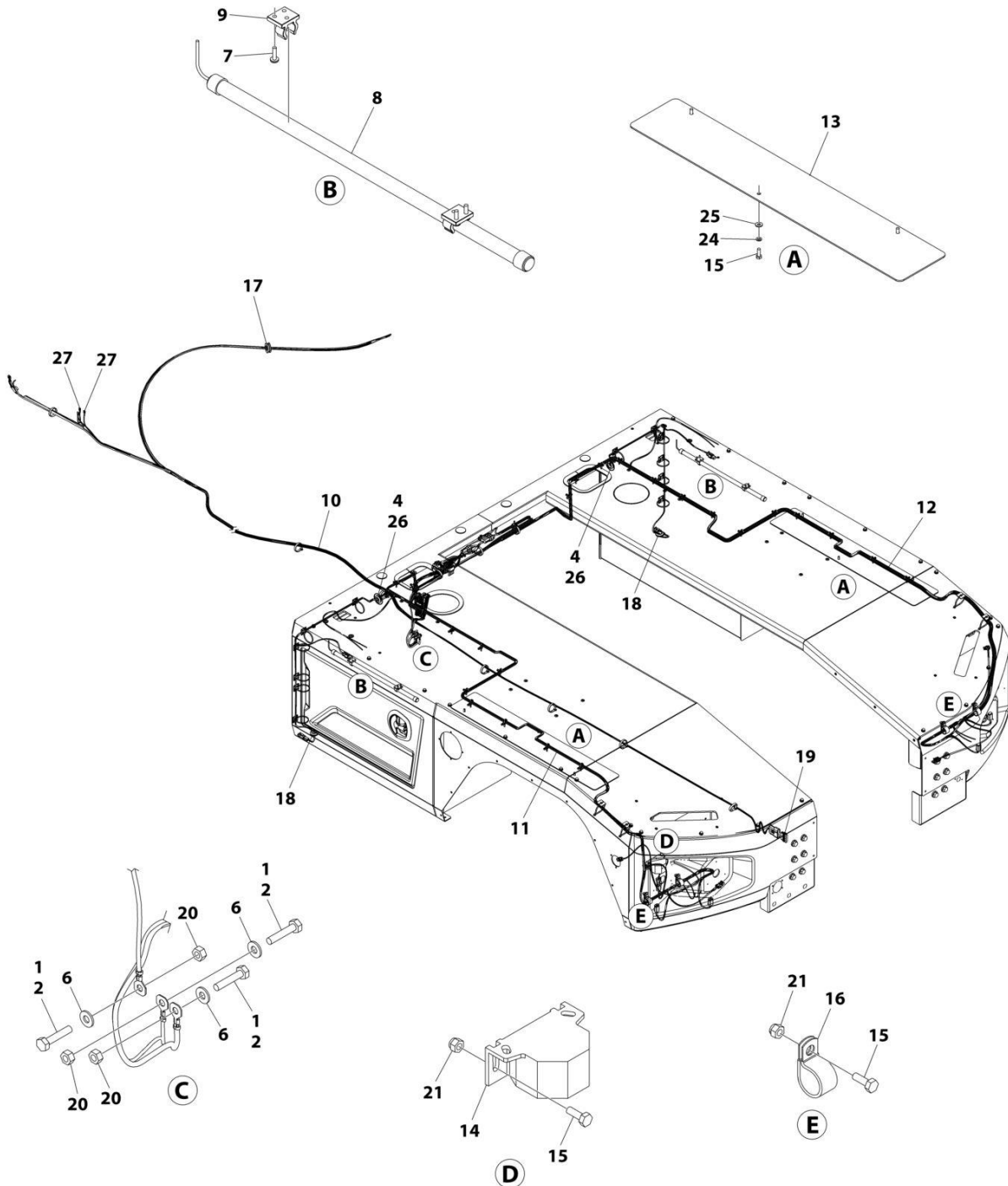
SECTION 7 - ELECTRICAL

FIGURE 7-3. BACK UP CAMERA INSTALLATION - CHASSIS SUPPLIED (CV515 ONLY)

ITEM	PART NUMBER	QTY	DESCRIPTION	REV
	1001255485	Ref	BACK UP CAMERA INSTALLATION - CHASSIS SUPPLIED (CV515 ONLY)	B
1	1001255484	1	Bracket	
2	5526000553	15	Tie Strap	
3	7120000034	4	Screw #10 x 3/4	
4	7114060810	2	Capscrew #6 x 1	
5	4564088	2	Spacer	
6	7660062604	2	Nut #6	
7	7280000018	5	Clip	

SECTION 7 - ELECTRICAL

FIGURE 7-4. BODY WIRING INSTALLATION



ART_1001291366

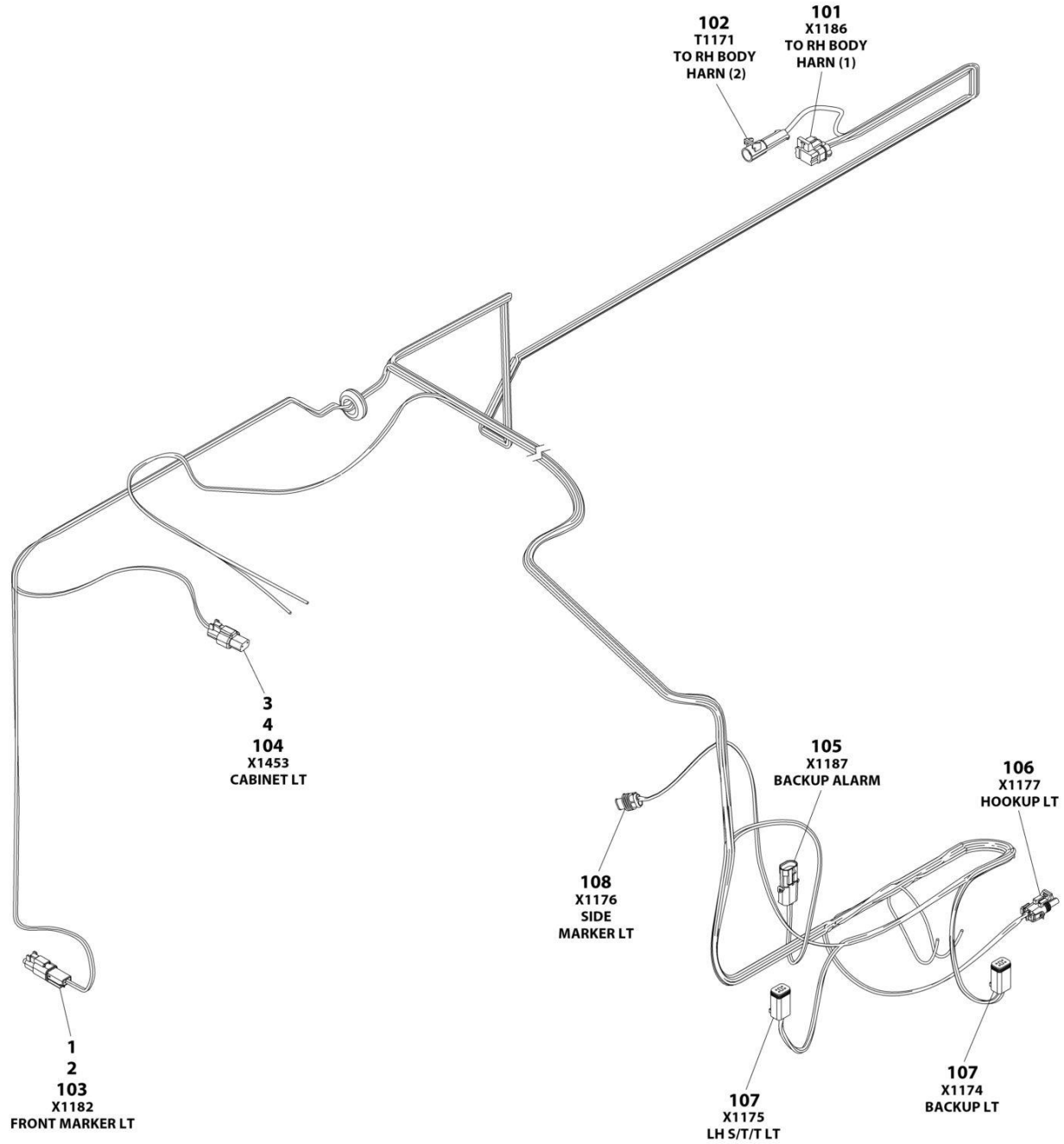
SECTION 7 - ELECTRICAL

FIGURE 7-4. BODY WIRING INSTALLATION

ITEM	PART NUMBER	QTY	DESCRIPTION	REV
	1001291366	Ref	BODY WIRING INSTALLATION - NO FUEL FILLER	A
1	0100011	AR	Compound Locking	
2	0641410	3	Bolt 1/4 x 1-1/4	
3	4240033	16	Tie-Strap (Not Shown)	
4	4420002	AR	Tape	
5	4460234	16	Mount, Cable-Tie (Not Shown)	
6	4711400	3	Washer 1/4	
7	1001154530	8	Screw #8 x 5/8	
8	1001189906	2	Lamp	
9	1001199081	4	Mount	
10	1001291050	1	Harness, Cab Subframe (See Separate Breakdown in this Section)	
11	1001291064	1	Harness, Body LH (See Separate Breakdown in this Section)	
12	1001291065	1	Harness, Body RH (See Separate Breakdown in this Section)	
13	1001298621	2	Plate	
14	7011000006	1	Alarm	
15	7114140650	12	Bolt 1/4 x 3/4	
16	7274000105	4	Clamp	
17	7493000003	1	Grommet	
18	7493000030	2	Grommet	
19	7577000194	1	Connector Kit	
20	7660140001	3	Nut 1/4	
21	7660142604	6	Nut 1/4	
22	7894000004	16	Tie-Strap (Not Shown)	
23	7894000042	28	Tie-Strap (Not Shown)	
24	7950140003	6	Washer 1/4	
25	7950140143	6	Washer 1/4	
26	8798820001	AR	Sealant	
27	0100048	AR	Grease, Dielectric	

SECTION 7 - ELECTRICAL

FIGURE 7-5. BODY HARNESS - LH



ART_1001291064

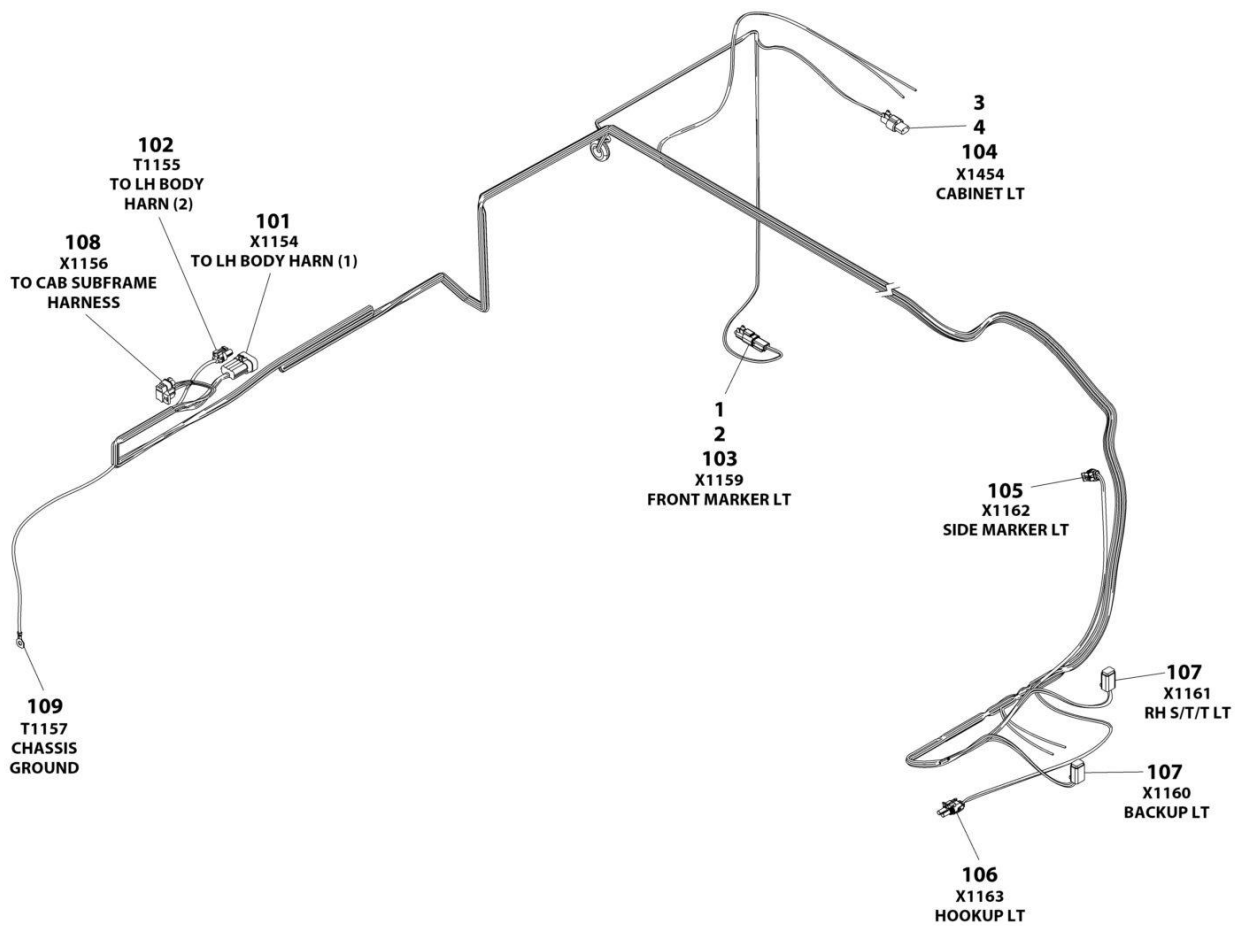
SECTION 7 - ELECTRICAL

FIGURE 7-5. BODY HARNESS - LH

ITEM	PART NUMBER	QTY	DESCRIPTION	REV
	1001291064	Ref	BODY HARNESS - LH	C
1	4460891	1	Connector	
2	4460466	2	Plug	
3	4460897	1	Connector	
4	4460464	2	Pin	
101	1001288566	1	Connector	
101	8220124	6	Socket	
101	1001116751	2	Plug	
101	4460458	6	Seal	
102	1001119106	1	Connector	
102	1001119755	1	Socket	
102	80963067	1	Seal	
103	4460897	1	Connector	
103	4460464	2	Pin	
104	4460891	4	Connector	
104	4460465	2	Socket	
105	4461157	1	Connector	
105	4460475	2	Pin	
105	4460789	2	Seal	
106	4460742	1	Connector	
106	4460457	2	Pin	
106	4460789	2	Seal	
107	4460884	2	Connector	
107	4460465	8	Socket	
108	4461118	1	Connector	
108	1001107854	2	Socket	
108	1001104498	2	Seal	

SECTION 7 - ELECTRICAL

FIGURE 7-6. BODY HARNESS - RH



ART_1001291065

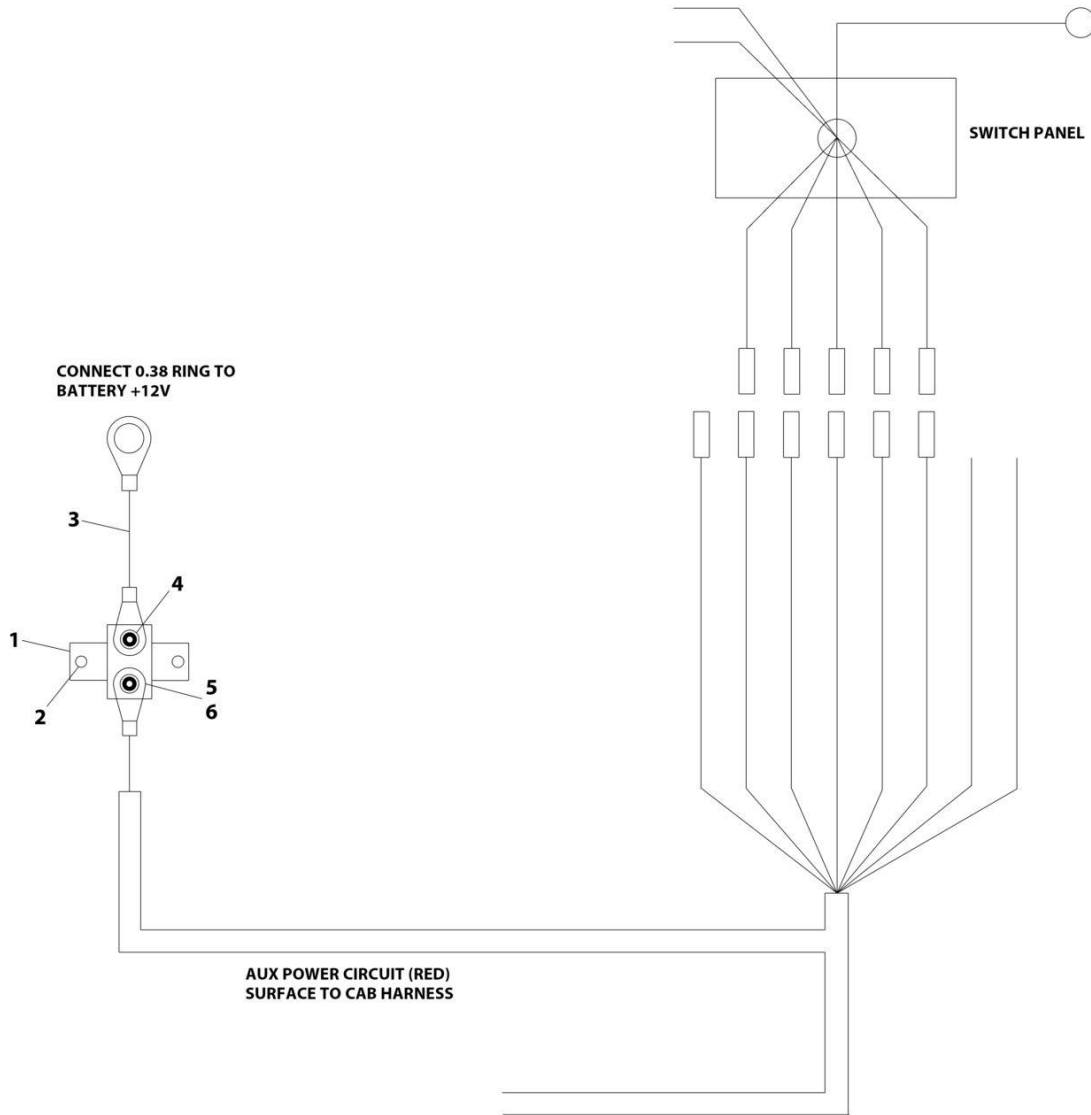
SECTION 7 - ELECTRICAL

FIGURE 7-6. BODY HARNESS - RH

ITEM	PART NUMBER	QTY	DESCRIPTION	REV
	1001291065	Ref	BODY HARNESS - RH	C
1	4460891	1	Connector	
2	4460466	2	Plug	
3	4460897	1	Connector	
4	4460464	2	Pin	
101	1001288454	1	Connector	
101	1001116749	6	Socket	
101	1001116751	2	Plug	
101	4460458	6	Seal	
102	1001119004	1	Connector	
102	1001119754	1	Socket	
102	80963067	1	Seal	
103	4460897	1	Connector	
103	4460464	2	Pin	
104	4460891	1	Connector	
104	4460465	2	Socket	
105	4461118	1	Connector	
105	1001255628	2	Socket	
105	1001116763	2	Seal	
106	4460742	1	Connector	
106	4460457	2	Pin	
106	4460789	2	Seal	
107	4460884	2	Connector	
107	4460465	8	Socket	
108	1001288566	1	Connector	
108	8220124	7	Socket	
108	1001116751	1	Plug	
108	4460608	7	Seal	
109	1001189077	1	Terminal, Ring	

SECTION 7 - ELECTRICAL

FIGURE 7-7. BREAKER INSTALLATION - 50A



ART_1001129883

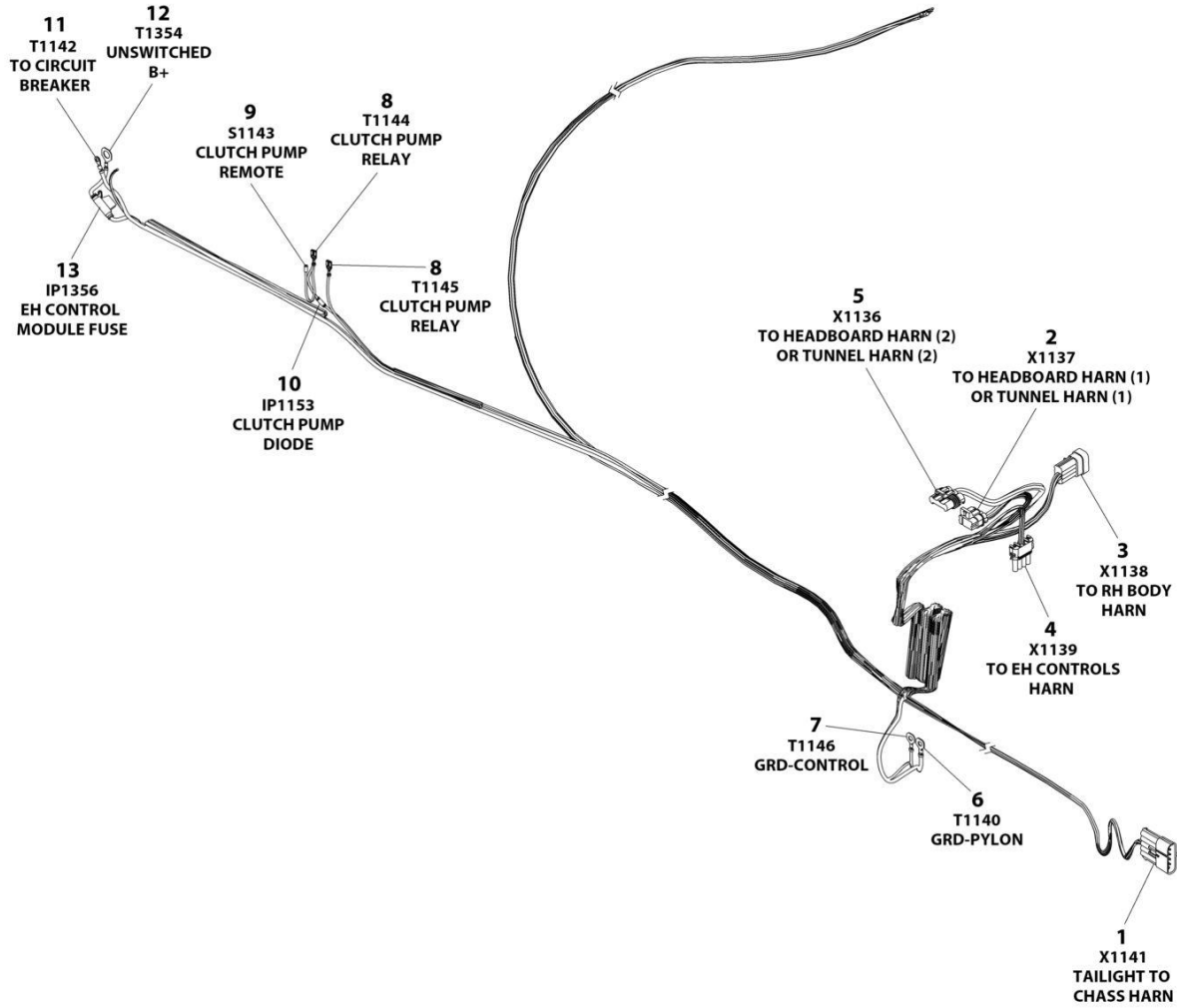
SECTION 7 - ELECTRICAL

FIGURE 7-7. BREAKER INSTALLATION - 50A

ITEM	PART NUMBER	QTY	DESCRIPTION	REV
	1001129883	Ref	50A BREAKER INSTALLATION	C
1	7457000004	1	Breaker, 50A	
2	7120000034	2	Screw #10 x 3/4	
3	1001129882	1	Harness	
4	7950100151	2	Washer 3/16	
5	7345221902	1	Terminal	
6	4346000005	1	Heat Shrink	

SECTION 7 - ELECTRICAL

FIGURE 7-8. CAB SUBFRAME HARNESS



ART_1001291050

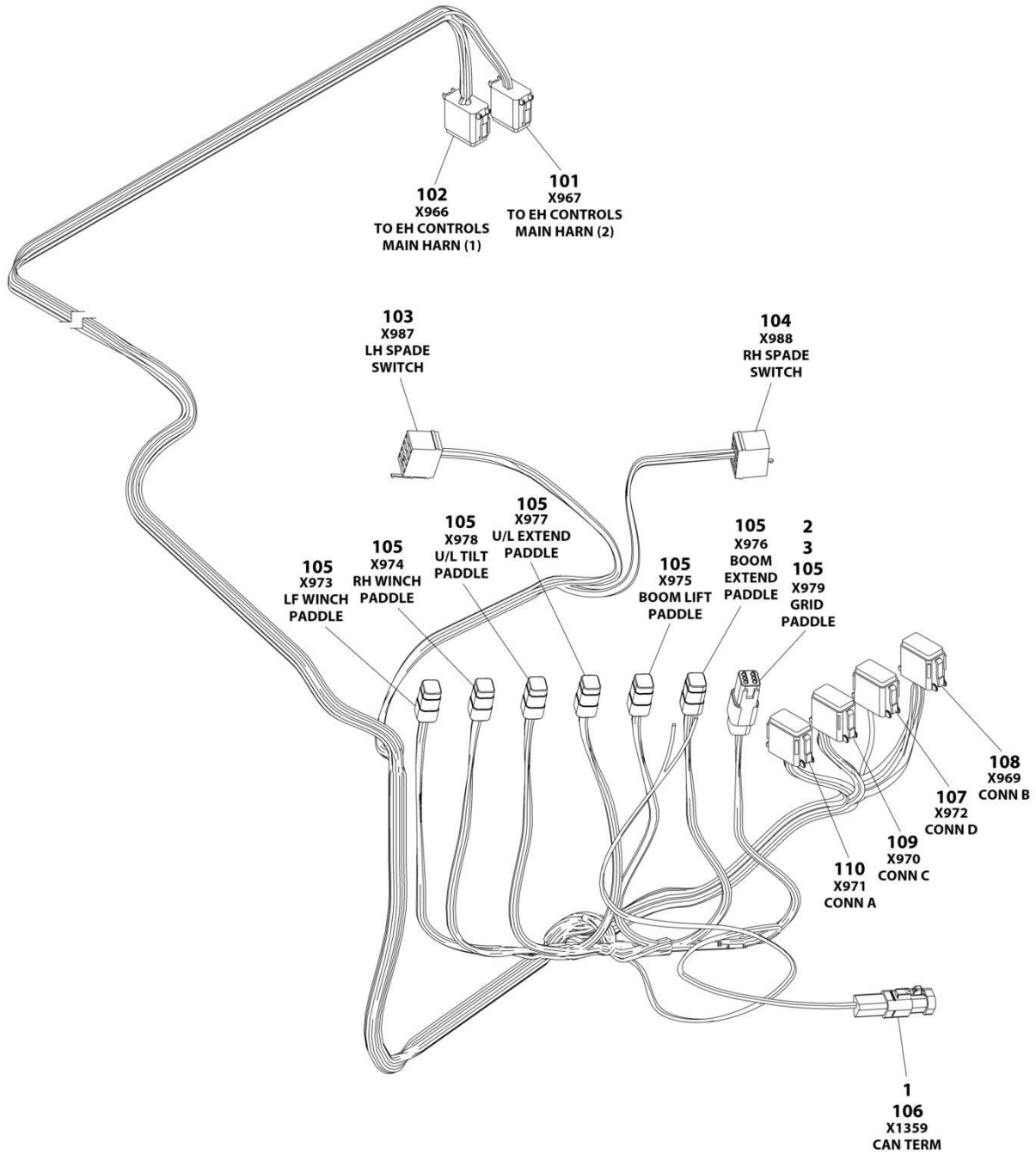
SECTION 7 - ELECTRICAL

FIGURE 7-8. CAB SUBFRAME HARNESS

ITEM	PART NUMBER	QTY	DESCRIPTION	REV
	1001291050	Ref	CAB SUBFRAME HARNESS	C
1	1001121727	1	Connector	
1	1001116729	4	Socket	
1	1001116727	1	Plug	
1	4460789	4	Seal	
2	1001288566	1	Connector	
2	8220124	8	Socket	
2	4460608	8	Seal	
3	1001288454	1	Connector	
3	1001116749	8	Socket	
3	1001116751	1	Plug	
3	4460608	8	Seal	
4	4460460	1	Connector	
4	4460457	4	Socket	
4	4460789	4	Seal	
5	8220935	1	Connector	
5	8220099	3	Socket	
5	8220159	3	Seal	
6	1001189077	1	Terminal, Ring	
7	1001207171	1	Terminal, Ring	
8	1001116723	2	Terminal	
9	1001201994	1	Connector	
10	1001100949	1	Diode, 3Amp	
11	1001197407	1	Terminal, Ring	
12	1001187078	1	Terminal, Ring	
13	1001255901	1	Fuse Holder	
13	80983191	1	Fuse, 10Amp	

SECTION 7 - ELECTRICAL

FIGURE 7-9. CONTROL STATION HARNESS



ART_1001287948

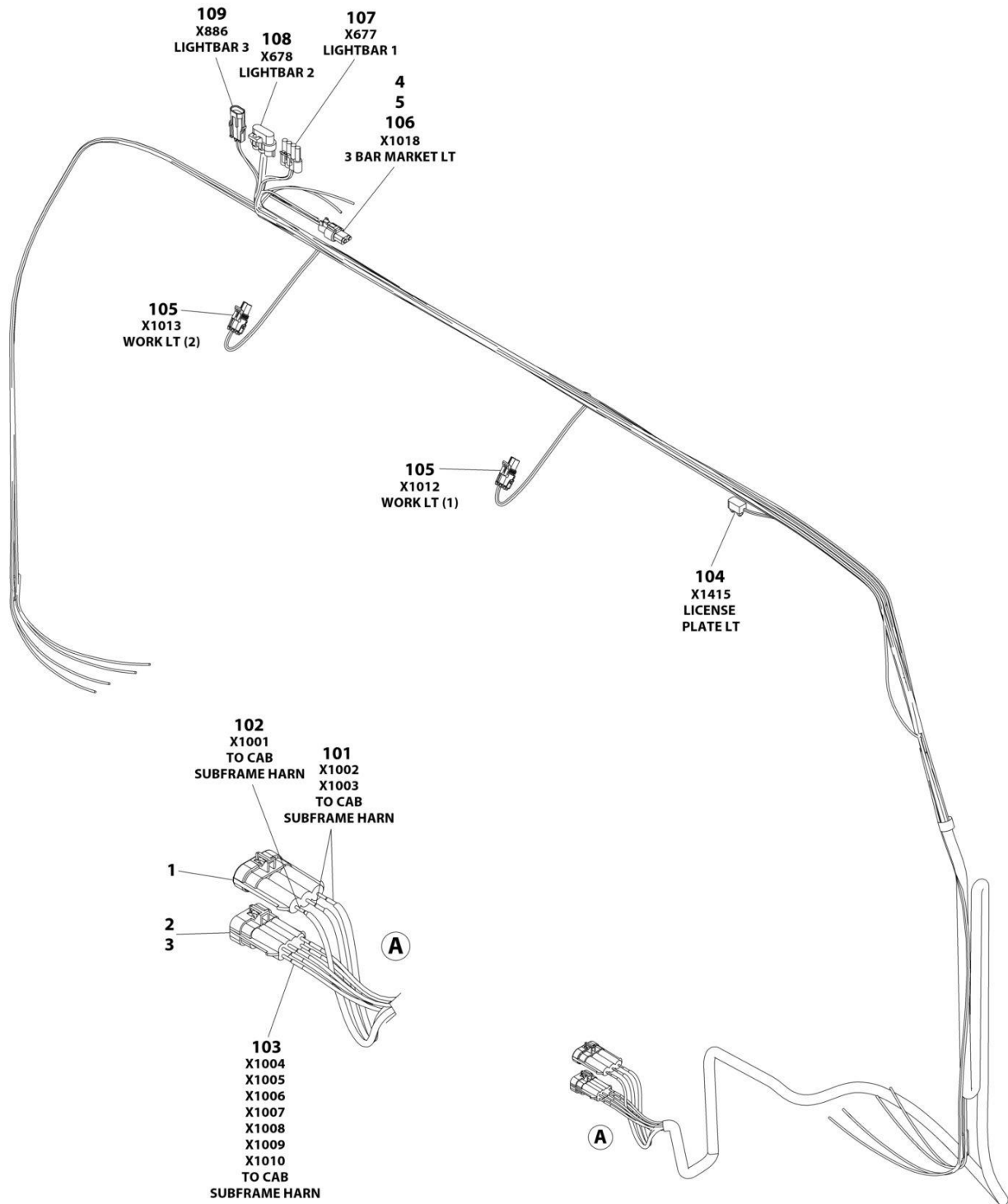
SECTION 7 - ELECTRICAL

FIGURE 7-9. CONTROL STATION HARNESS

ITEM	PART NUMBER	QTY	DESCRIPTION	REV
	1001287948	Ref	CONTROL STATION HARNESS	B
1	1001116815	1	Connector	
2	4461217	1	Connector	
3	4460518	6	Plug	
101	4460930	1	Connector	
101	4460465	8	Plug	
102	4460933	1	Connector	
102	4460465	12	Socket	
103	1001262745	1	Connector	
103	1001118384	6	Socket	
104	8220904	1	Connector	
104	1001118384	6	Socket	
105	4461216	7	Connector	
105	1001126008	42	Socket	
106	1001144147	1	Connector	
106	4460464	2	Pin	
106	4460466	1	Plug	
107	4460935	1	Connector	
107	4460466	11	Plug	
107	4460465	1	Plug	
108	4460836	1	Connector	
108	4460465	8	Plug	
108	4460466	4	Plug	
109	4460934	1	Connector	
109	4460465	12	Plug	
110	4460933	1	Connector	
110	4460465	12	Plug	

SECTION 7 - ELECTRICAL

FIGURE 7-10. HEADBOARD HARNESS - BODY MOUNT



ART_1001291067

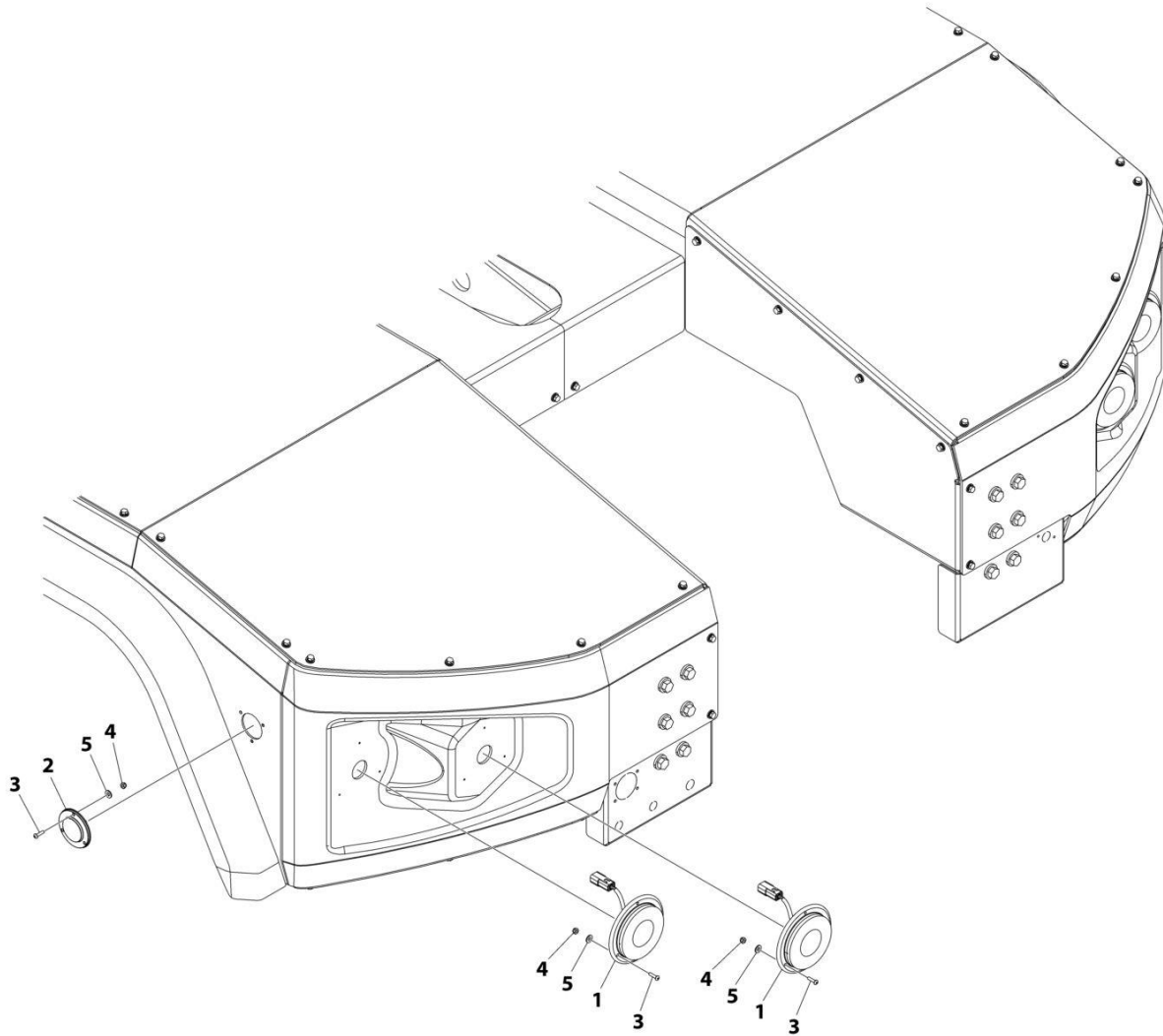
SECTION 7 - ELECTRICAL

FIGURE 7-10. HEADBOARD HARNESS - BODY MOUNT

ITEM	PART NUMBER	QTY	DESCRIPTION	REV
	1001291067	Ref	HEADBOARD HARNESS	C
1	8220934	1	Connector	
2	1001288454	1	Connector	
3	1001116751	1	Plug	
4	4460897	1	Terminal	
5	4460466	2	Terminal	
101	1001277282	2	Terminal	
101	1001288450	2	Seal	
102	8220100	1	Terminal	
102	1001288449	1	Seal	
103	1001288456	7	Terminal	
103	1001288455	7	Seal	
104	1001275791	1	Connector	
105	4460742	2	Connector	
105	4460457	2	Terminal	
105	4460458	2	Seal	
106	4460891	1	Connector	
106	4460465	2	Socket	
107	1001288453	1	Connector	
107	4460457	4	Terminal	
107	4460458	4	Seal	
108	1001288457	1	Connector	
108	8220099	3	Terminal	
108	1001288450	2	Seal	
108	1001288449	1	Seal	
109	4461157	1	Connector	
109	4460475	2	Terminal	
109	4460458	2	Seal	

SECTION 7 - ELECTRICAL

FIGURE 7-11. LIGHTS INSTALLATION - 4 TAILLIGHT



ART_1001295047

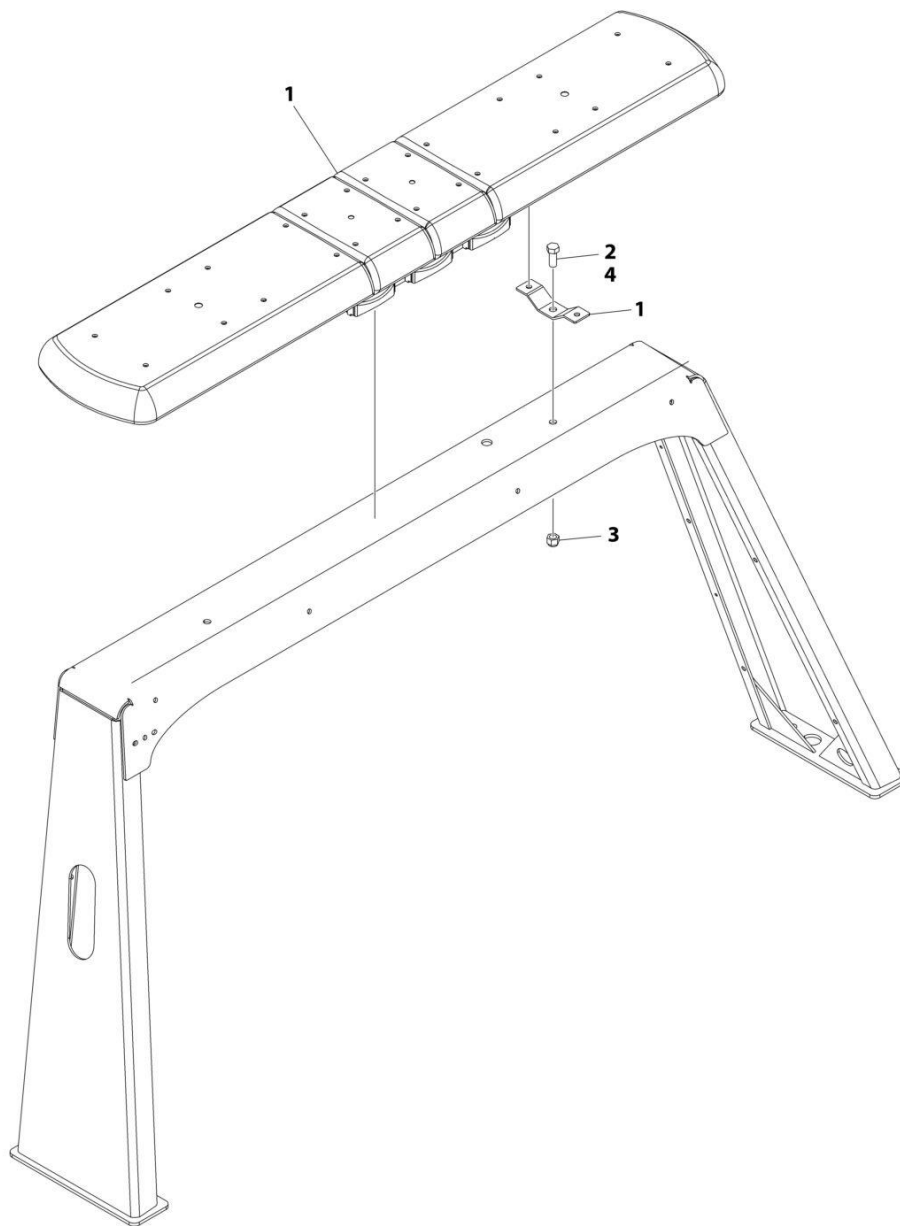
SECTION 7 - ELECTRICAL

FIGURE 7-11. LIGHTS INSTALLATION - 4 TAILLIGHT

ITEM	PART NUMBER	QTY	DESCRIPTION	REV
	1001295047	Ref	LIGHTS INSTALLATION - 4 TAILLIGHTS (STOP/TURN/TAILLIGHT COMBINED)	A
1	1001295009	4	Lamp (Stop/Turn/Taillight)	
2	1001295294	2	Lamp (Marker)	
3	7114100618	18	Capscrew #10 x 3/4	
4	7660102604	18	Nut #10	
5	7950100151	18	Washer 3/16	

SECTION 7 - ELECTRICAL

FIGURE 7-12. LIGHT - LIGHTBAR INSTALLATION - 60IN AMBER ECCO (STANDARD MOUNT)



ART_1001259576

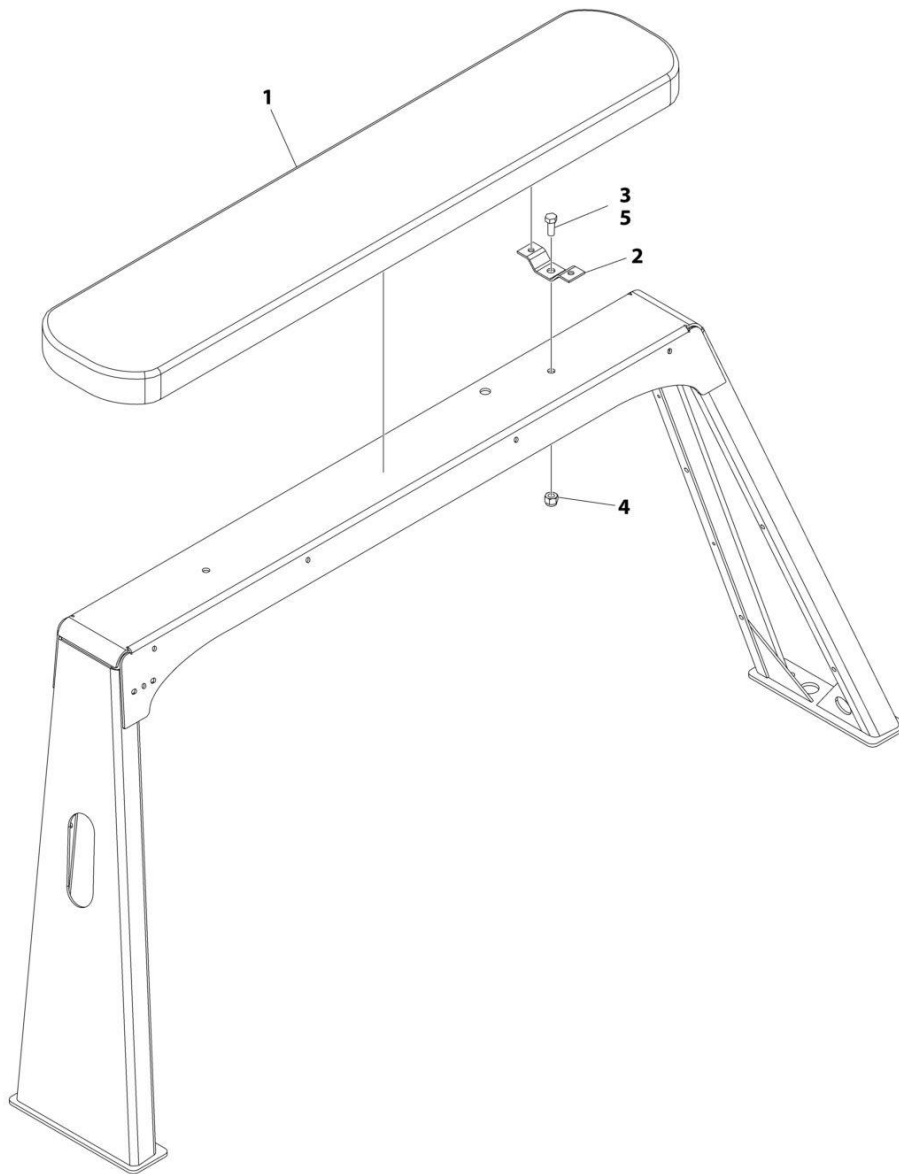
SECTION 7 - ELECTRICAL

FIGURE 7-12. LIGHT - LIGHTBAR INSTALLATION - 60IN AMBER ECCO (STANDARD MOUNT)

ITEM	PART NUMBER	QTY	DESCRIPTION	REV
	1001259576	Ref	LIGHTBAR INSTALLATION - ECCO 60IN (STANDARD MOUNT)	B
1	1001247139	1	Lightbar Assembly (See Separate Breakdown in this Section)	
2	0641810	2	Bolt 1/2 x 1-1/4	
3	7660182601	2	Nut 1/2	
4	0100011	AR	Compound, Locking	

SECTION 7 - ELECTRICAL

FIGURE 7-13. LIGHT - LIGHTBAR INSTALLATION - 60IN AMBER 8 LED WHELEN (STANDARD MOUNT)



ART_1001137519

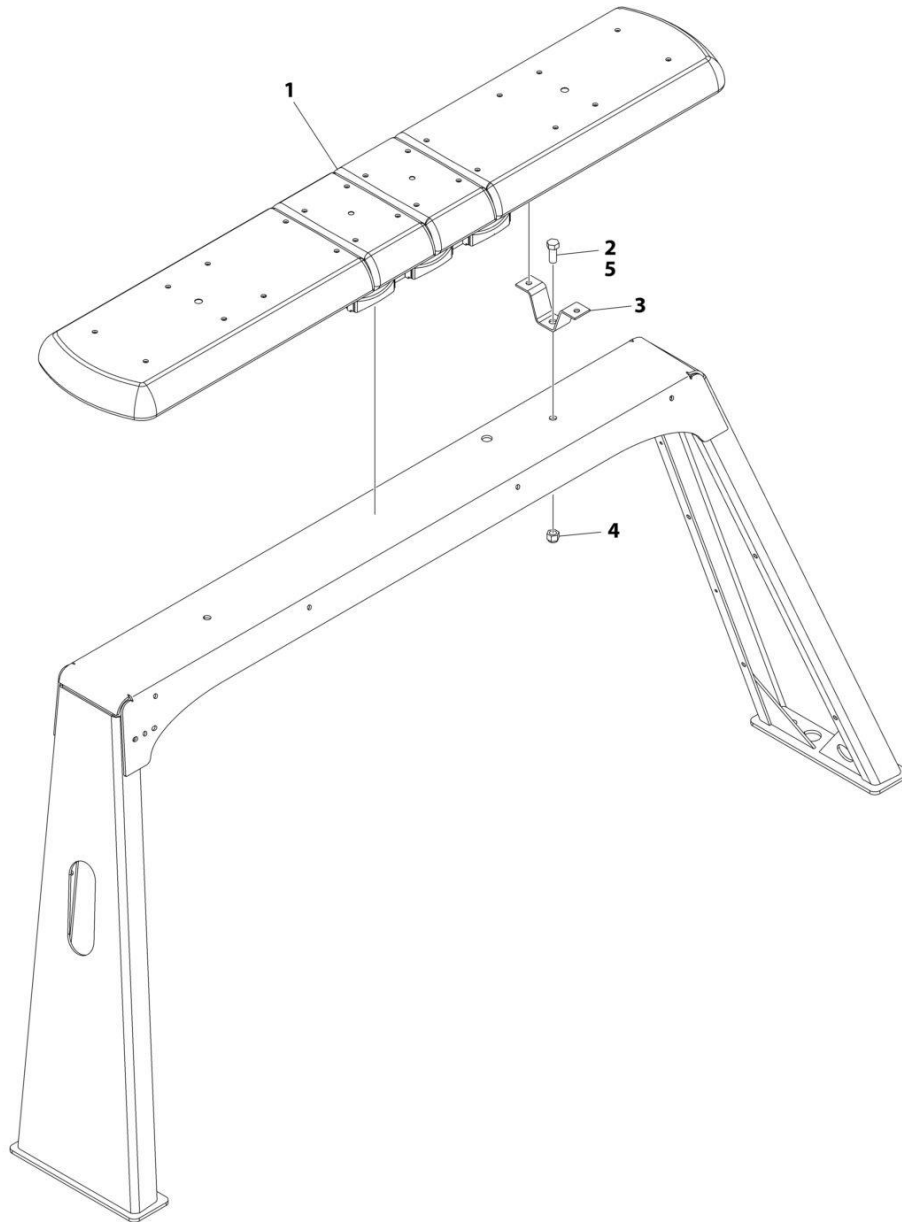
SECTION 7 - ELECTRICAL

FIGURE 7-13. LIGHT - LIGHTBAR INSTALLATION - 60IN AMBER 8 LED WHELEN (STANDARD MOUNT)

ITEM	PART NUMBER	QTY	DESCRIPTION	REV
	1001137519	Ref	LIGHT - LIGHTBAR INSTALLATION - 60IN AMBER 8 LED WHELEN (STANDARD MOUNT)	C
1	1001199475	1	Lamp (See Separate Breakdown in this Section)	
2	4178000402	2	Bracket	
3	7115181050	2	Bolt 1/2 x 1-1/4	
4	7660182601	2	Nut 1/2	
5	0100011	AR	Compound, Locking	

SECTION 7 - ELECTRICAL

FIGURE 7-14. LIGHT - LIGHTBAR INSTALLATION - 60IN AMBER ECCO (HIGH MOUNT)



ART_1001265004

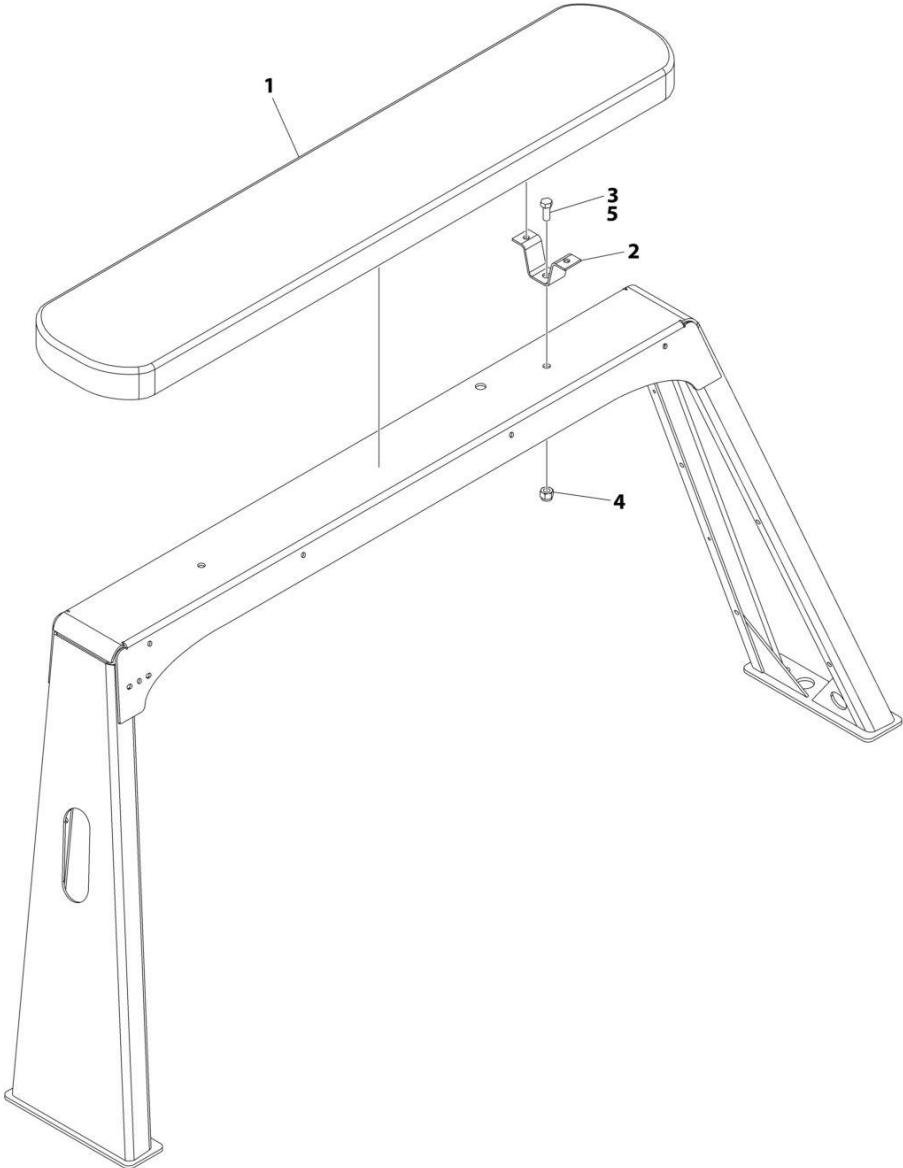
SECTION 7 - ELECTRICAL

FIGURE 7-14. LIGHT - LIGHTBAR INSTALLATION - 60IN AMBER ECCO (HIGH MOUNT)

ITEM	PART NUMBER	QTY	DESCRIPTION	REV
	1001265004	Ref	LIGHTBAR INSTALLATION - ECCO 60IN (HIGH MOUNT)	B
1	1001247139	1	Lightbar Assembly (See Separate Breakdown in this Section)	
2	0641810	2	Bolt 1/2 x 1-1/4	
3	1001262106	2	Bracket	
4	7660182601	2	Nut 1/2	
5	0100011	AR	Compound, Locking	

SECTION 7 - ELECTRICAL

FIGURE 7-15. LIGHT - LIGHTBAR INSTALLATION - 60IN AMBER 8 LED WHELEN (HIGH MOUNT)



ART_1001256172

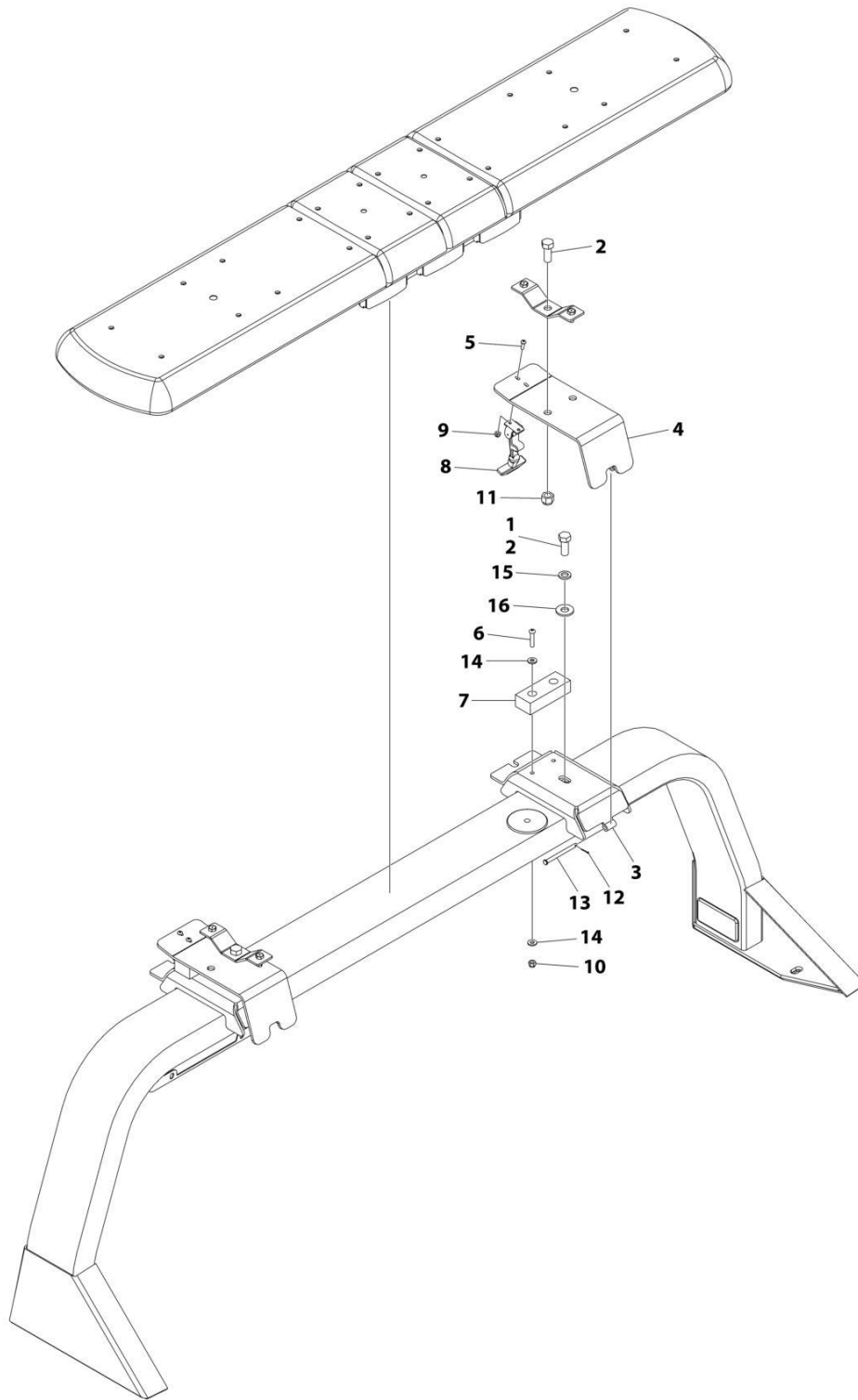
SECTION 7 - ELECTRICAL

FIGURE 7-15. LIGHT - LIGHTBAR INSTALLATION - 60IN AMBER 8 LED WHELEN (HIGH MOUNT)

ITEM	PART NUMBER	QTY	DESCRIPTION	REV
	1001256172	Ref	LIGHT - LIGHTBAR INSTALLATION - 60IN AMBER 8 LED WHELEN (HIGH MOUNT)	B
1	1001199475	1	Lamp (See Separate Breakdown in this Section)	
2	4178000437	1	Bracket	
3	7115181050	2	Bolt 1/2 x 1-1/4	
4	7660182601	2	Nut 1/2	
5	0100011	AR	Compound, Locking	

SECTION 7 - ELECTRICAL

FIGURE 7-16. LIGHT - LIGHTBAR BRACKET INSTALLATION (FOLDING)



ART_1001301353

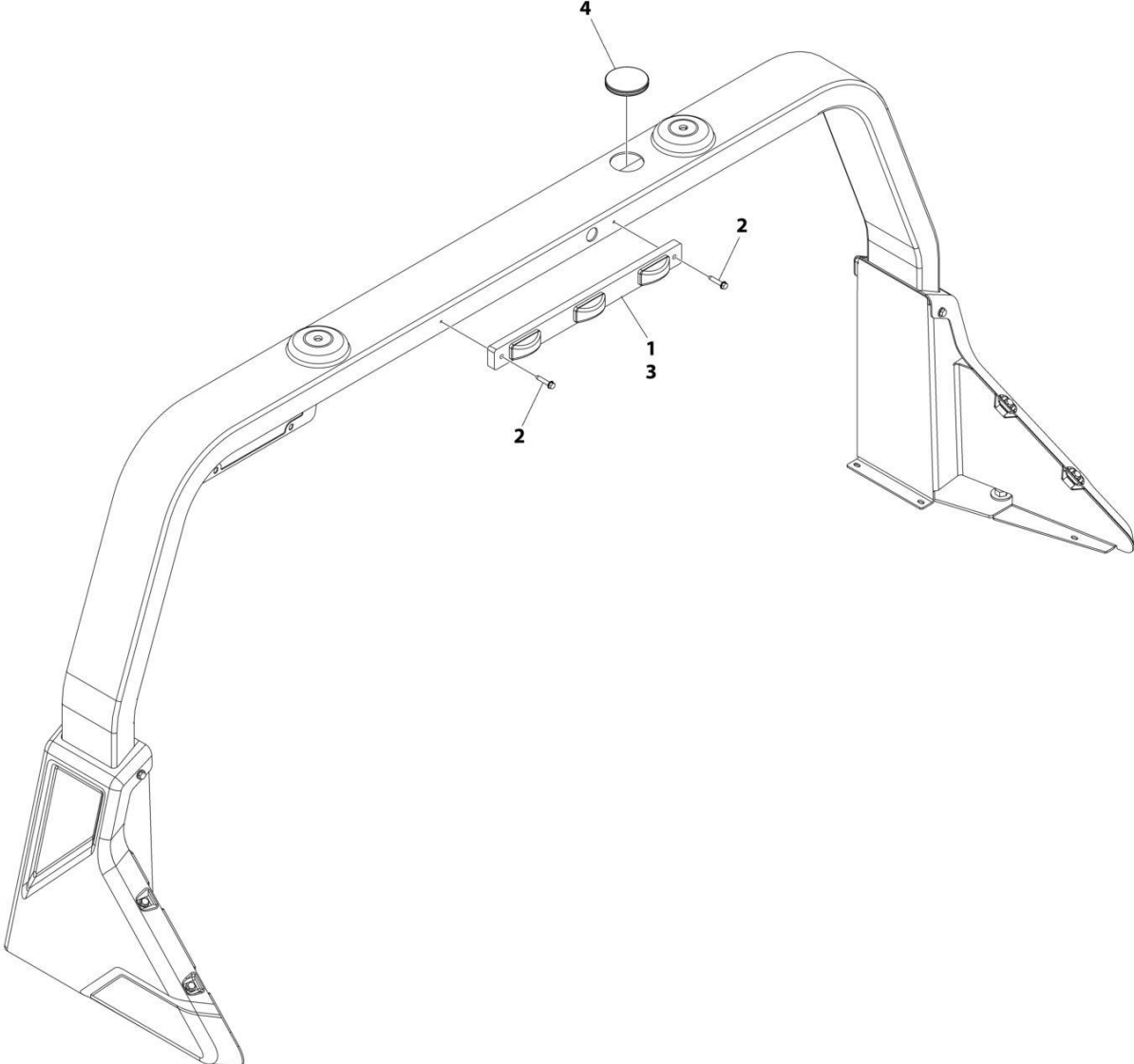
SECTION 7 - ELECTRICAL

FIGURE 7-16. LIGHT - LIGHTBAR BRACKET INSTALLATION (FOLDING)

ITEM	PART NUMBER	QTY	DESCRIPTION	REV
	1001301353	Ref	LIGHTBAR BRACKET INSTALLATION (FOLDING)	A
1	0100011	AR	Compound Locking	
2	0641810	4	Bolt 1/2 x 1-1/4	
3	1001301354	2	Bracket	
4	1001301355	2	Bracket	
5	7114100518	4	Screw #10 x 5/8	
6	7114141018	4	Screw 1/4 x 1-1/4	
7	7189000023	2	Bumper	
8	7585000001	2	Latch	
9	7660102604	4	Nut #10	
10	7660142604	4	Nut 1/4	
11	7660182601	2	Nut 1/2	
12	7690000810	2	Pin, Cotter	
13	7690144800	2	Pin	
14	7950140143	8	Washer 1/4	
15	7950180000	2	Washer 19/32	
16	7950180150	2	Washer 1/2	

SECTION 7 - ELECTRICAL

FIGURE 7-17. LIGHTS - PYLON 3-LIGHT MARKER INSTALLATION



ART_1001301812

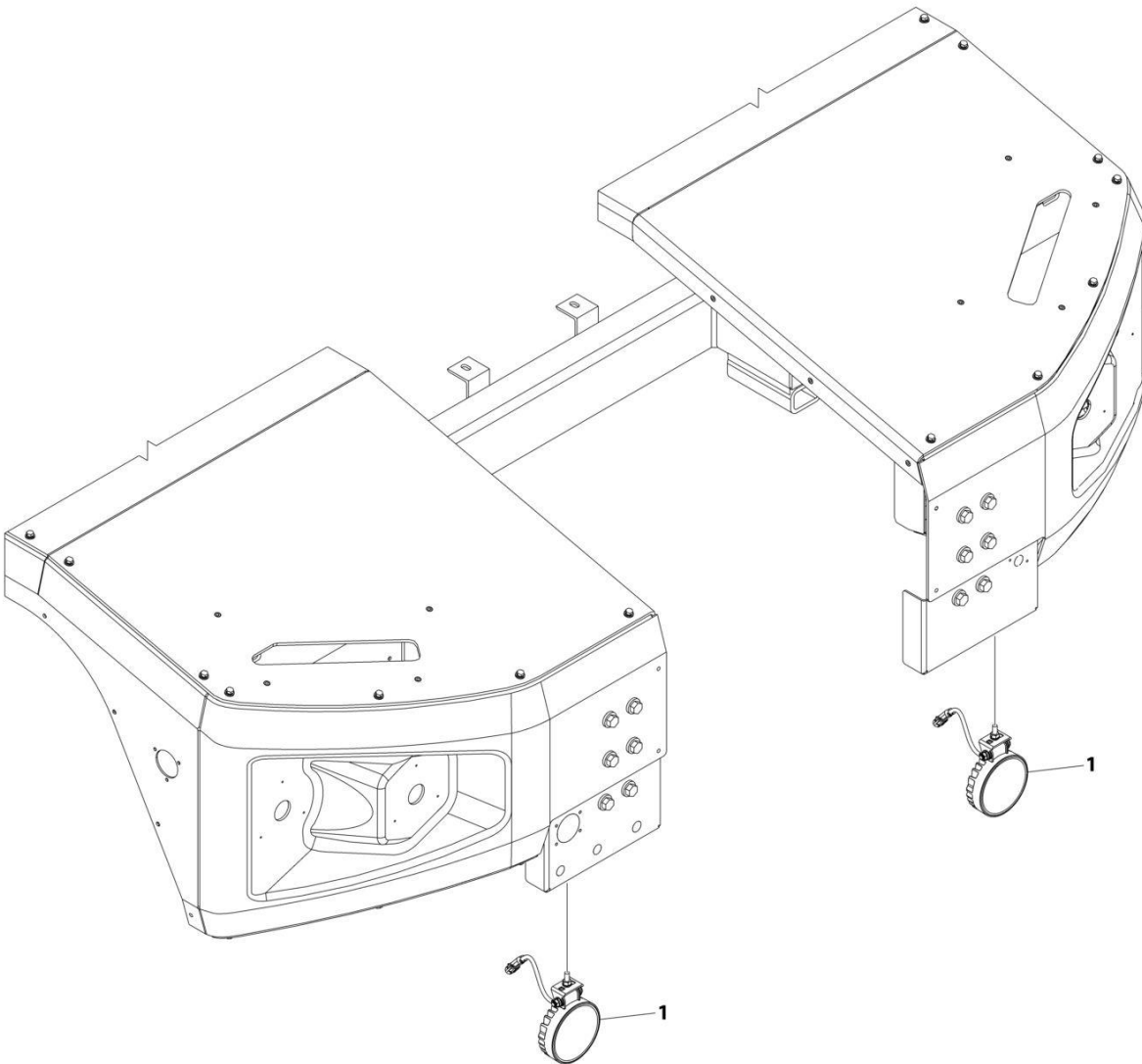
SECTION 7 - ELECTRICAL

FIGURE 7-17. LIGHTS - PYLON 3-LIGHT MARKER INSTALLATION

ITEM	PART NUMBER	QTY	DESCRIPTION	REV
	1001301812	Ref	PYLON 3-LIGHT MARKER INSTALLATION	A
1	7590000316	1	Light	
2	7790142051	2	Screw 1/4 x 1-1/4	
3	4460464	2	Terminal	
4	7493000015	1	Grommet	

SECTION 7 - ELECTRICAL

FIGURE 7-18. LIGHT - WORKLIGHTS INSTALLATION (LOWER HOOK UP MOUNTED)



ART_1001296066

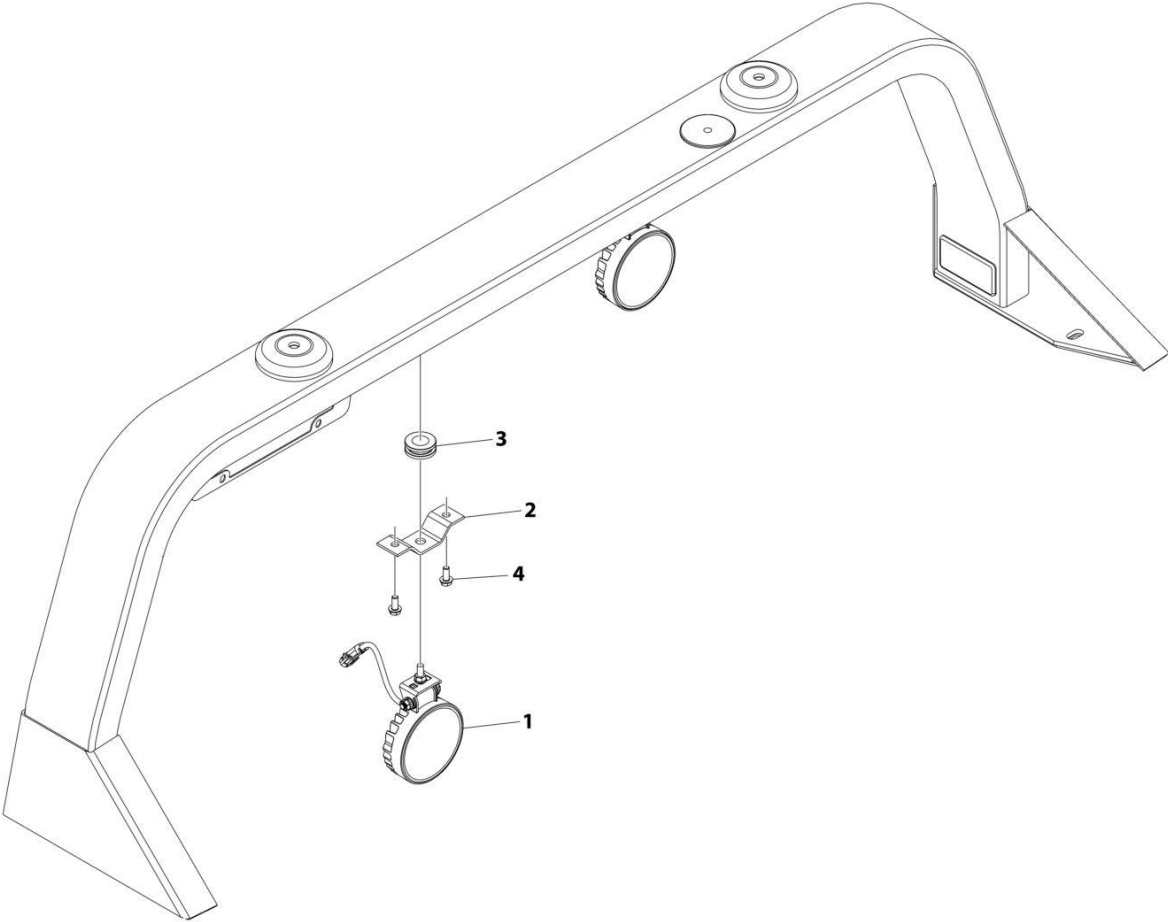
SECTION 7 - ELECTRICAL

FIGURE 7-18. LIGHT - WORKLIGHTS INSTALLATION (LOWER HOOK UP MOUNTED)

ITEM	PART NUMBER	QTY	DESCRIPTION	REV
1	1001296066 1001273634	Ref 2	LIGHT - WORKLIGHTS INSTALLATION Lamp	B

SECTION 7 - ELECTRICAL

FIGURE 7-19. LIGHT - WORKLIGHT INSTALLATION (PYLON MOUNTED)



ART_1001294914

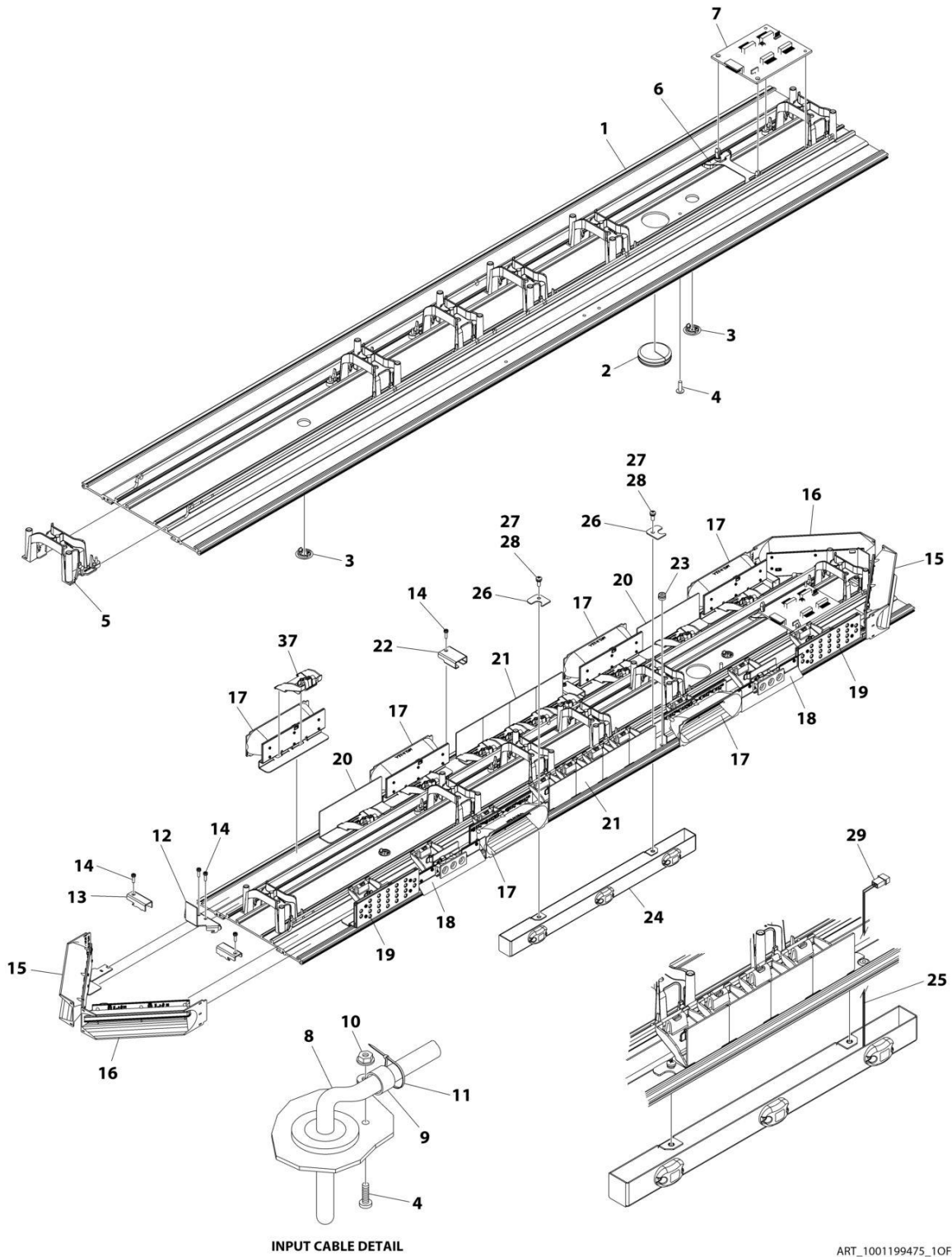
SECTION 7 - ELECTRICAL

FIGURE 7-19. LIGHT - WORKLIGHT INSTALLATION (PYLON MOUNTED)

ITEM	PART NUMBER	QTY	DESCRIPTION	REV
	1001294914	Ref	LIGHT - WORKLIGHT INSTALLATION	B
1	1001273634	2	Lamp	
2	4178000402	2	Bracket	
3	7493000003	2	Grommet	
4	7790151253	4	Bolt 5/16 x 3/4	

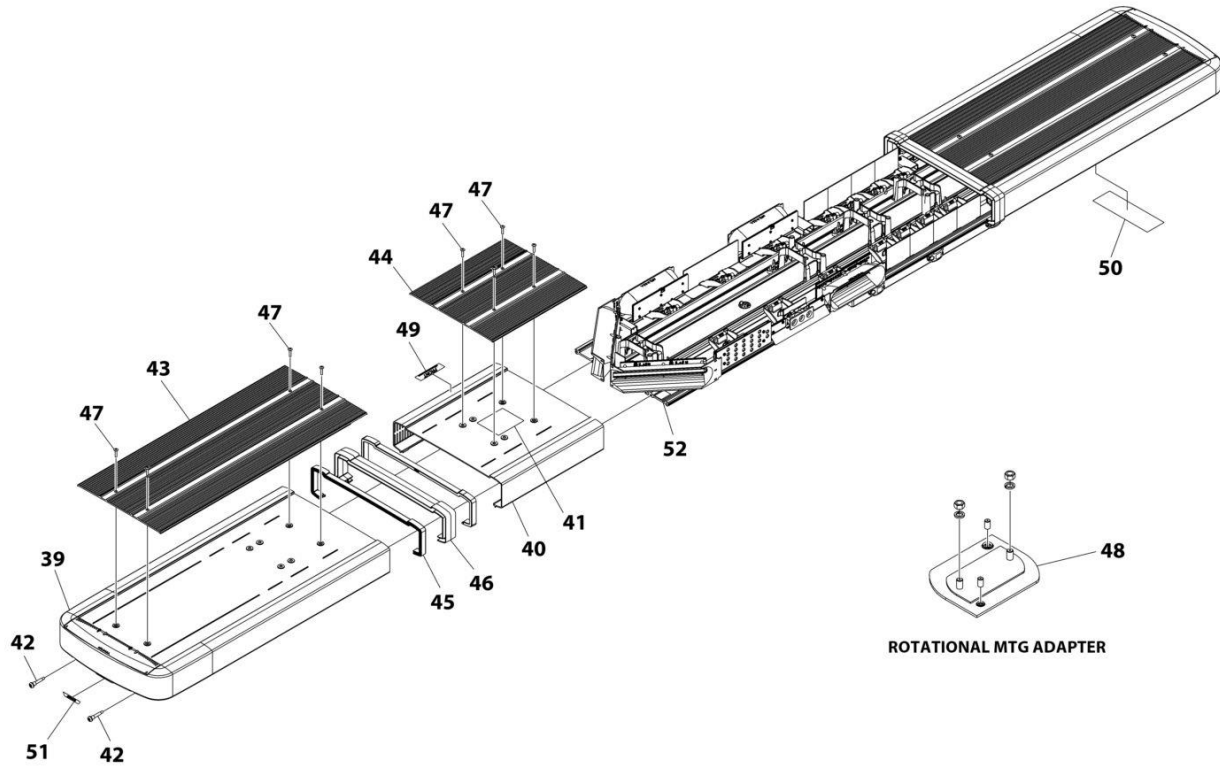
SECTION 7 - ELECTRICAL

FIGURE 7-20. LIGHTS LIGHBAR ASSEMBLY - 60IN AMBER 8 LED WHELEN

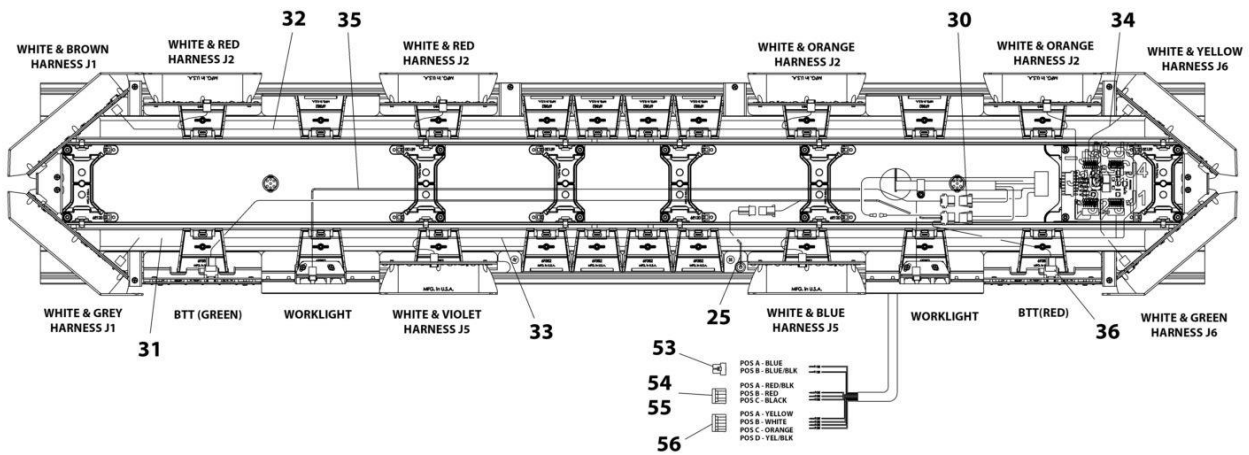


SECTION 7 - ELECTRICAL

FIGURE 7-21. LIGHTS LIGHBAR ASSEMBLY - 60IN AMBER 8 LED WHELEN



ROTATIONAL MTG ADAPTER



ART_1001199475_20F2

SECTION 7 - ELECTRICAL

FIGURE 7-21. LIGHTS LIGHBAR ASSEMBLY - 60IN AMBER 8 LED WHELEN

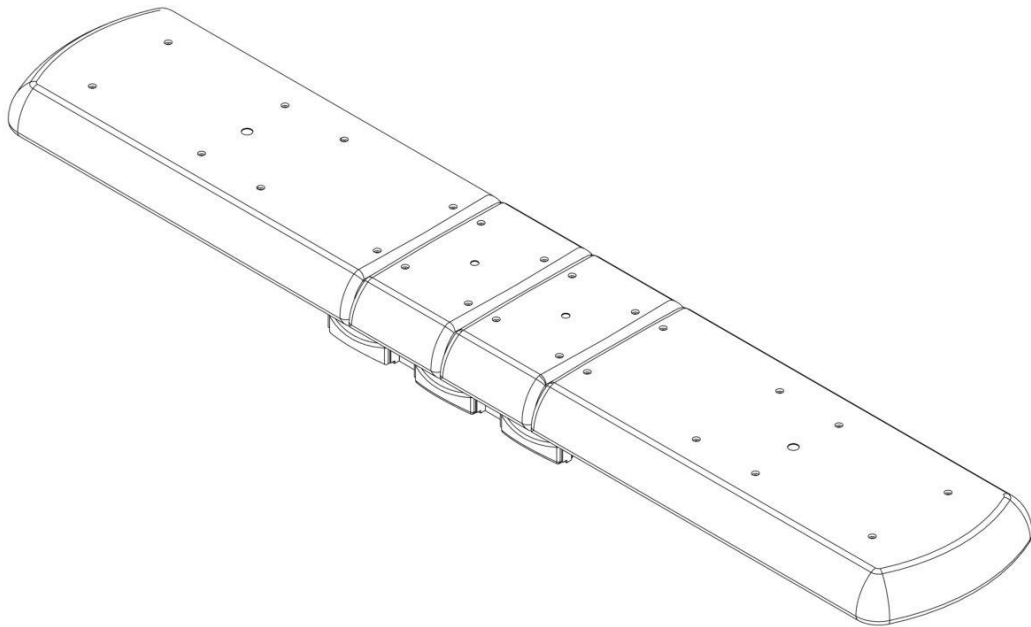
ITEM	PART NUMBER	QTY	DESCRIPTION	REV
	1001199475	Ref	LIGHTS - LAMP ASSEMBLY - 60IN AMBER WHELEN	B
1	70051058	1	Base	
2	70050169	1	Grommet	
3	70050170	2	Plug	
4	70051059	1	Screw #10 x 5/8	
5	70051021	6	Bracket	
6	70051022	1	Bracket	
7	70051023	1	Circuit Board	
8	70051060	1	Cable	
9	70050665	1	Clamp	
10	70050174	1	Nut #10	
11	70051026	AR	Tie Wrap	
12	70051027	2	Bracket	
13	70051035	4	Bracket	
14	70051028	10	Screw #6 x 1/2	
15	70051029	2	Lamp, Rear Amber	
16	70051030	2	Lamp, Front Amber	
17	70051063	6	Lamp, 6 LED	
18	70051064	2	Lamp, 3 LED	
19	70051065	2	Lamp	
20	70051066	2	Bracket	
21	70051036	8	Bracket	
22	70051039	2	Bracket	
23	70050176	1	Grommet	
24	70051068	1	Lamp	
25	70050178	1	Harness	
26	70051069	2	Bracket	
27	70050179	2	Screw #10 x 1/2	
28	70050180	2	Lockwasher #10	
29	70050181	1	Housing	
30	70050175	2	Housing	
31	70051070	1	Harness	
32	70051071	1	Harness	
33	70051072	1	Harness	
34	70051073	1	Harness	
35	70051074	1	Harness	
36	70051075	1	Harness	
37	70051044	20	Bracket	
38	70051045	AR	Tie Wrap (Not Shown)	
39	70051076	1	Lens	
40	70051077	1	Lens	
41	70051078	1	Label	
42	70050203	4	Screw #10 x 1-1/4	
43	70051062	2	Cover	
44	70051061	1	Cover	
45	70051048	4	Seal	
46	70051049	2	Lens	
47	70051053	12	Screw #10 x 7/8	
48	70050204	2	Adapter	
49	70051055	1	Label	

SECTION 7 - ELECTRICAL

ITEM	PART NUMBER	QTY	DESCRIPTION	REV
50	70050207	1	Label	
51	70051056	2	Label	
52	70051057	1	Label	
53	70050208	1	Housing	
54	70050209	1	Connector	
55	70050210	1	Housing	
56	70050211	1	Housing	

SECTION 7 - ELECTRICAL

FIGURE 7-22. LIGHTS LIGHBAR ASSEMBLY - 60IN AMBER ECCO



ART_1001247139

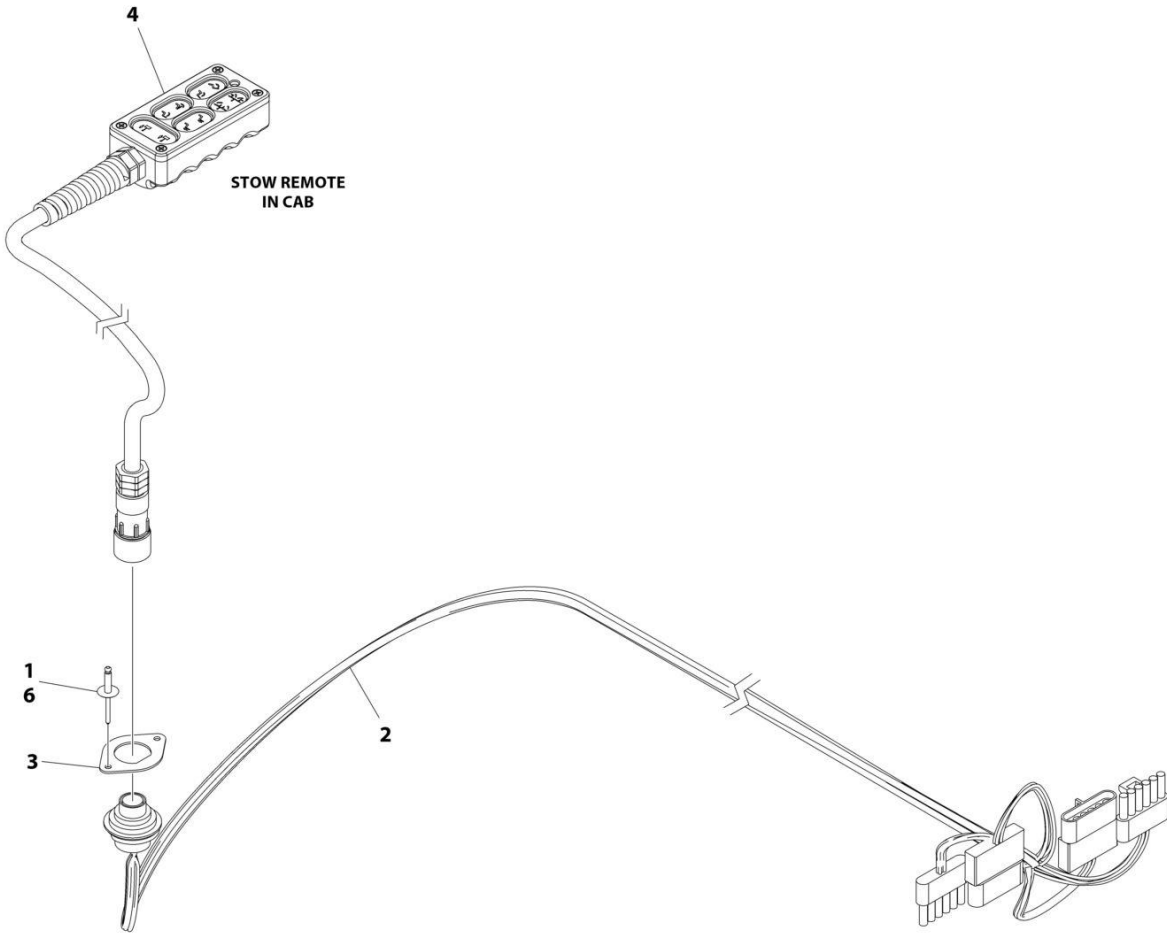
SECTION 7 - ELECTRICAL

FIGURE 7-22. LIGHTS LIGHBAR ASSEMBLY - 60IN AMBER ECCO

ITEM	PART NUMBER	QTY	DESCRIPTION	REV
	1001247139	Ref	LIGHTBAR ASSEMBLY - ECCO	A
	70070000	AR	Module, Amber	
	70070001	1 pr	Light, Work/Alley	
	70070002	1	Cable Kit (Includes 2 Modules, Harness & Stop/Turn/Taillight Cables)	
	70070003	1	PC Board, Driver	

SECTION 7 - ELECTRICAL

FIGURE 7-23. MAIN CONTROL VALVE HARNESS INSTALLATION - REMOTE MEMBRANE



ART_1001298693

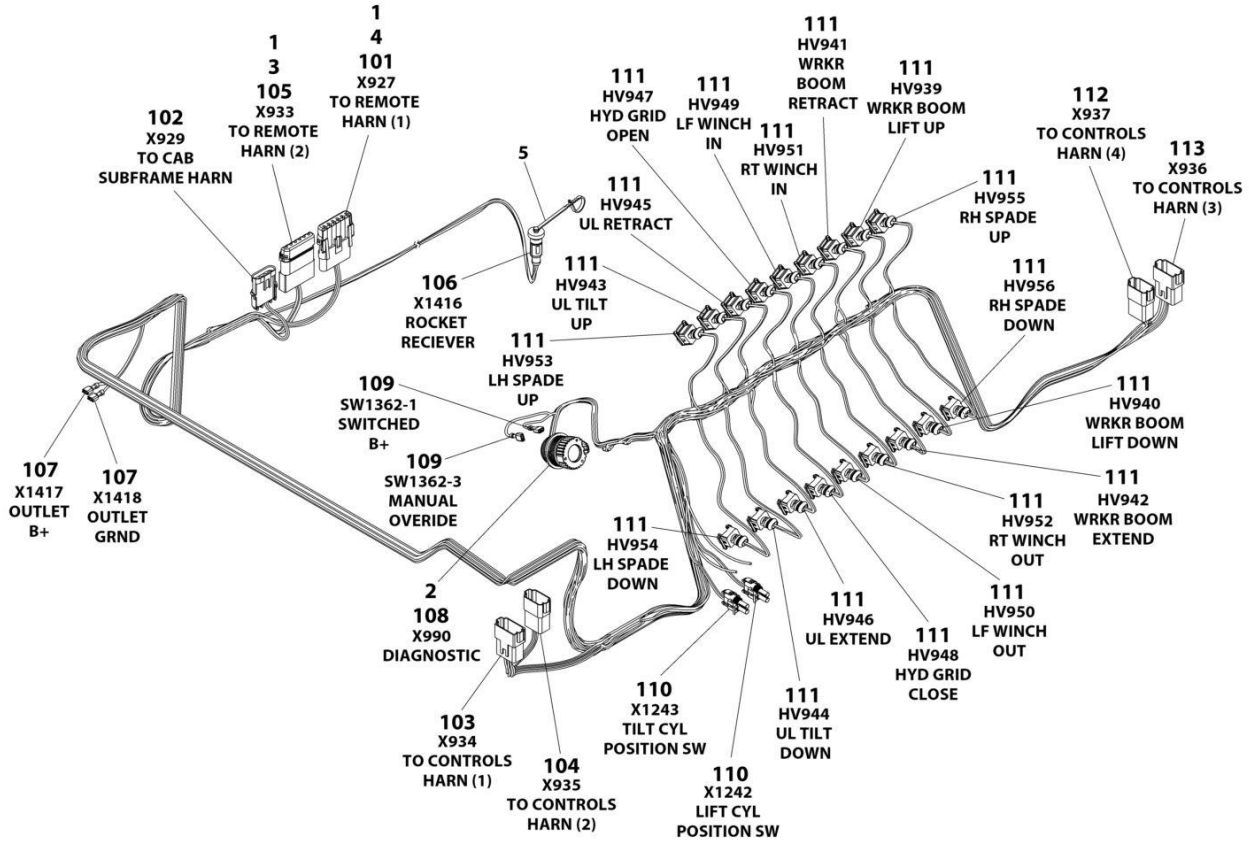
SECTION 7 - ELECTRICAL

FIGURE 7-23. MAIN CONTROL VALVE HARNESS INSTALLATION - REMOTE MEMBRANE

ITEM	PART NUMBER	QTY	DESCRIPTION	REV
	1001298693	Ref	MAIN CONTROL VALVE HARNESS INSTALLATION - REMOTE MEMBRANE CONTROLS	A
1	1001197476	2	Rivet	
2	1001298692	1	Harness, Wired Remote (See Separate Breakdown in this Section)	
3	4706003402	1	Plate	
4	7295000131	1	Controller	
5	7894000004	5	Tie-Strap (Not Shown)	
6	0100048	AR	Grease, Dielectric	

SECTION 7 - ELECTRICAL

FIGURE 7-24. MAIN CONTROL HARNESS



ART_1001287947

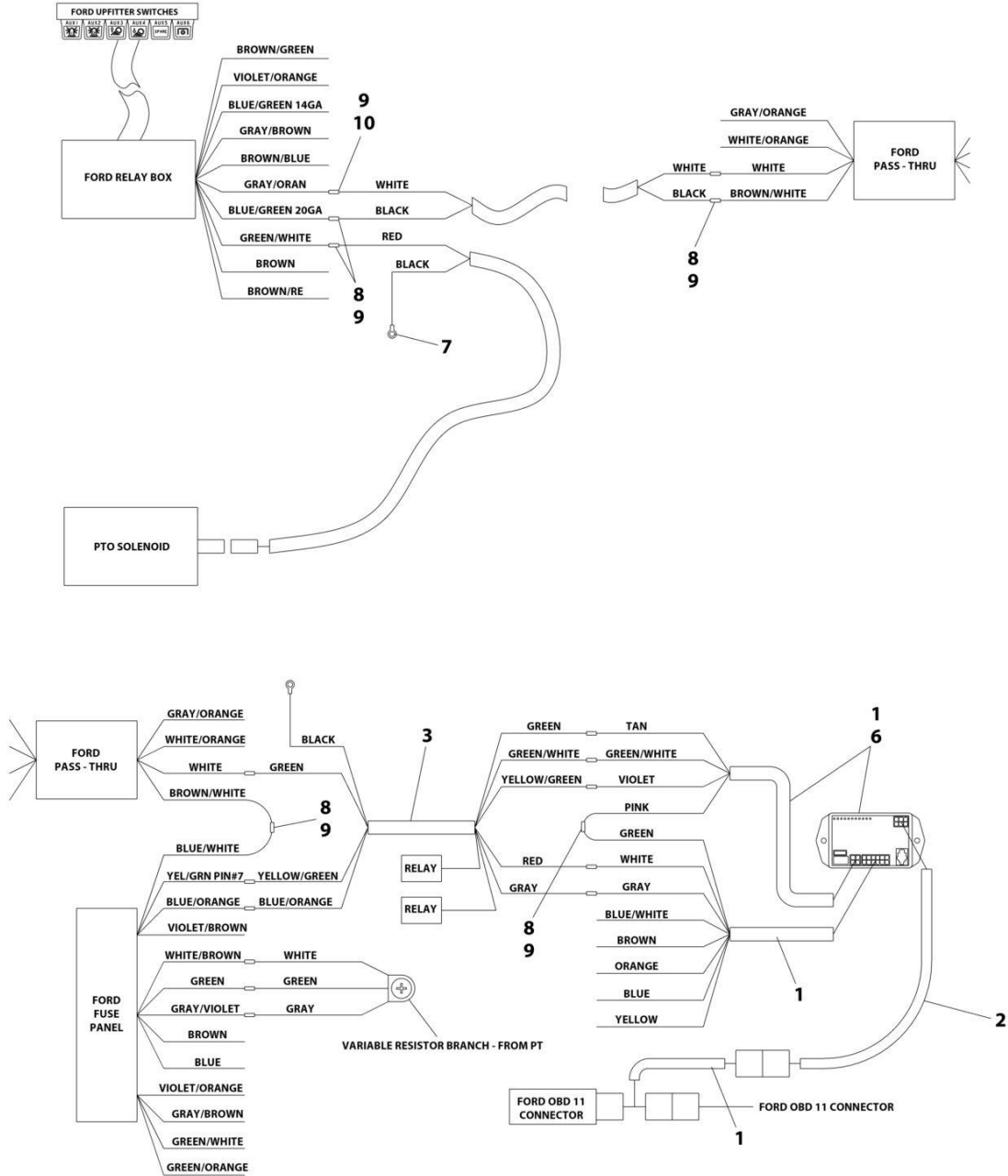
SECTION 7 - ELECTRICAL

FIGURE 7-24. MAIN CONTROL HARNESS

ITEM	PART NUMBER	QTY	DESCRIPTION	REV
	1001287947	Ref	MAIN CONTROL HARNESS	B
1	1001116727	12	Plug	
2	1001167667	1	Cover	
3	1001288044	1	Connector	
4	1001288045	1	Connector	
5	1001299389	1	Plug	
101	1001288044	1	Connector	
	4460743	6	Socket	
101	4460458	6	Seal	
102	4460844	1	Connector	
102	4460475	4	Cover	
102	4460458	4	Seal	
103	4460970	1	Connector	
103	4460464	11	Pin	
103	4460466	1	Plug	
104	4460931	1	Connector	
104	4460464	8	Pin	
105	1001288045	1	Connector	
105	4460979	2	Pin	
105	1001116727	2	Plug	
105	4460475	2	Cover	
105	4460458	4	Seal	
106	1001125295	1	Connector	
107	8220051	2	Terminal, Blade	
108	1001249095	1	Connector	
108	4460464	5	Pin	
108	4460466	4	Plug	
109	1001194421	2	Terminal, Blade	
110	4460742	2	Connector	
110	4460743	4	Socket	
110	4460458	4	Seal	
111	1001190322	18	Connector	
111	1001166707	36	Socket	
111	4461054	36	Seal	
112	4460931	1	Connector	
112	4460464	8	Pin	
113	4460970	1	Connector	
113	4460464	12	Pin	

SECTION 7 - ELECTRICAL

FIGURE 7-25. PTO ELECTRICAL ASSEMBLY - FORD PTO



ART_1001225217

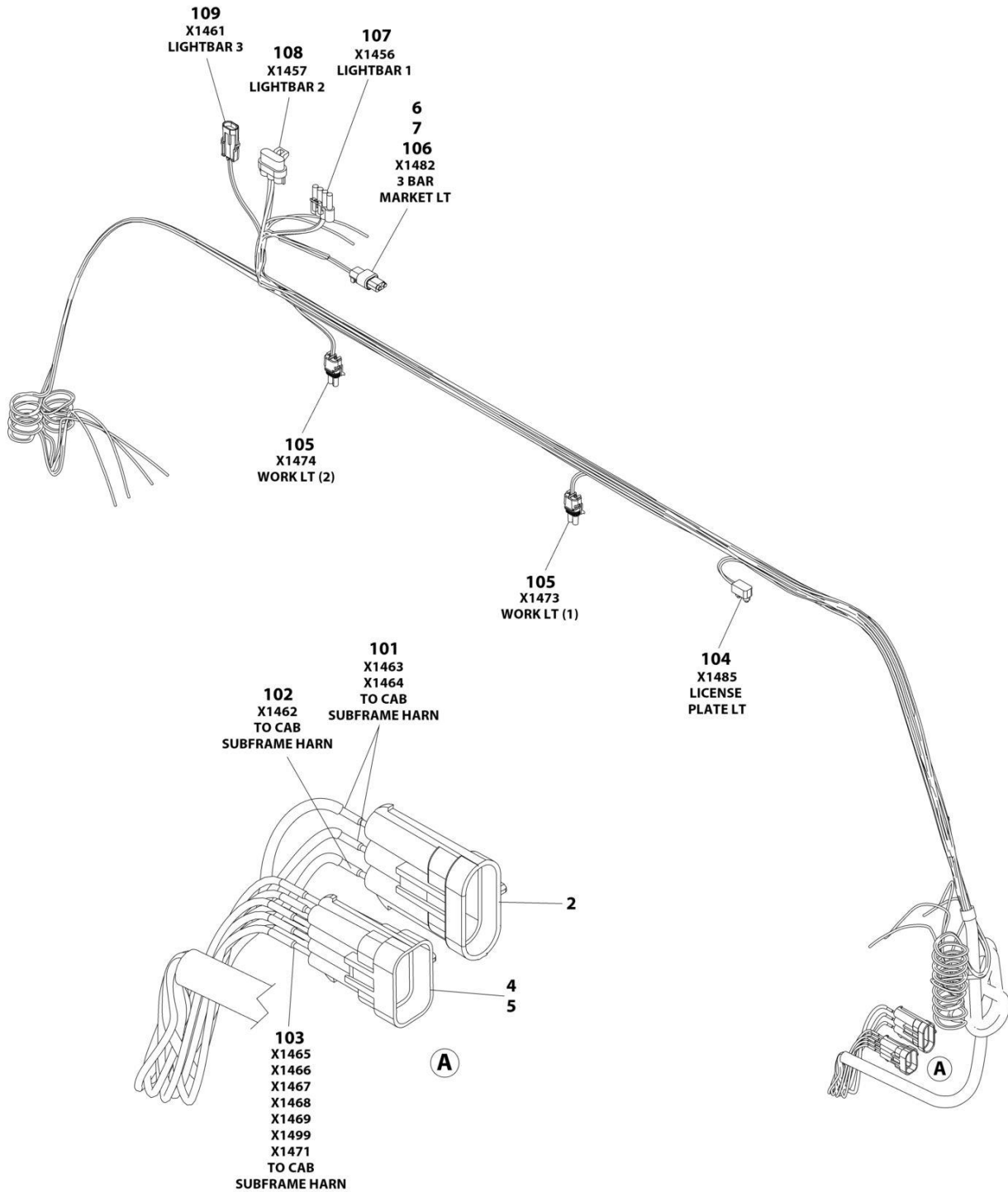
SECTION 7 - ELECTRICAL

FIGURE 7-25. PTO ELECTRICAL ASSEMBLY - FORD PTO

ITEM	PART NUMBER	QTY	DESCRIPTION	REV
	1001225217	Ref	ELECTRICAL ASSEMBLY - FORD PTO	D
1	1001225063	1	Control PTO	
2	1001226317	1	Harness, Data Link Extension	
3	1001225068	1	Harness, PTO Ford	
6	8892040001	0.5 ft	Tape	
7	7345221702	1	Terminal	
8	7345001714	6	Terminal	
9	7346000039	AR	Tubing	
10	7345001914	1	Terminal	
11	5376000192	1	Manual (Not Shown)	

SECTION 7 - ELECTRICAL

FIGURE 7-26. PYLON HEADBOARD HARNESS



ART_1001299519

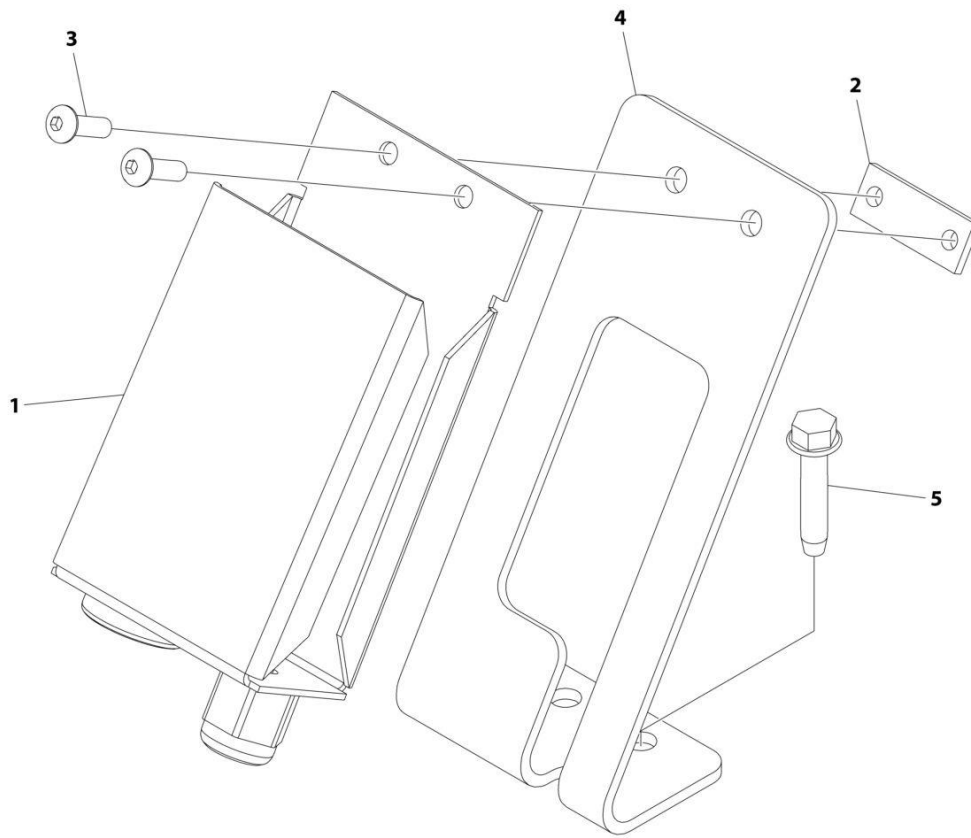
SECTION 7 - ELECTRICAL

FIGURE 7-26. PYLON HEADBOARD HARNESS

ITEM	PART NUMBER	QTY	DESCRIPTION	REV
	1001299519	Ref	PYLON HEADBOARD HARNESS	B
2	8220934	1	Connector	
4	1001116751	1	Plug	
5	1001288454	1	Connector	
6	4460466	2	Terminal	
7	4460897	1	Terminal	
101	1001277282	2	Terminal	
101	1001288450	2	Seal	
102	8220100	1	Terminal	
102	1001288449	1	Seal	
103	1001288456	7	Terminal	
103	1001288455	7	Seal	
104	1001275791	1	Connector	
105	4460742	2	Connector	
105	4460457	2	Terminal	
105	4460458	2	Seal	
106	4460891	1	Connector	
106	4460465	2	Socket	
107	1001288453	1	Connector	
107	4460457	4	Terminal	
107	4460458	4	Seal	
108	1001288457	1	Connector	
108	8220099	3	Terminal	
108	1001288450	2	Seal	
108	1001288449	1	Seal	
109	4461157	1	Connector	
109	4460475	2	Terminal	
109	4460458	2	Seal	

SECTION 7 - ELECTRICAL

FIGURE 7-27. REMOTE CONTROL HOLDER INSTALLATION



ART_2002000031

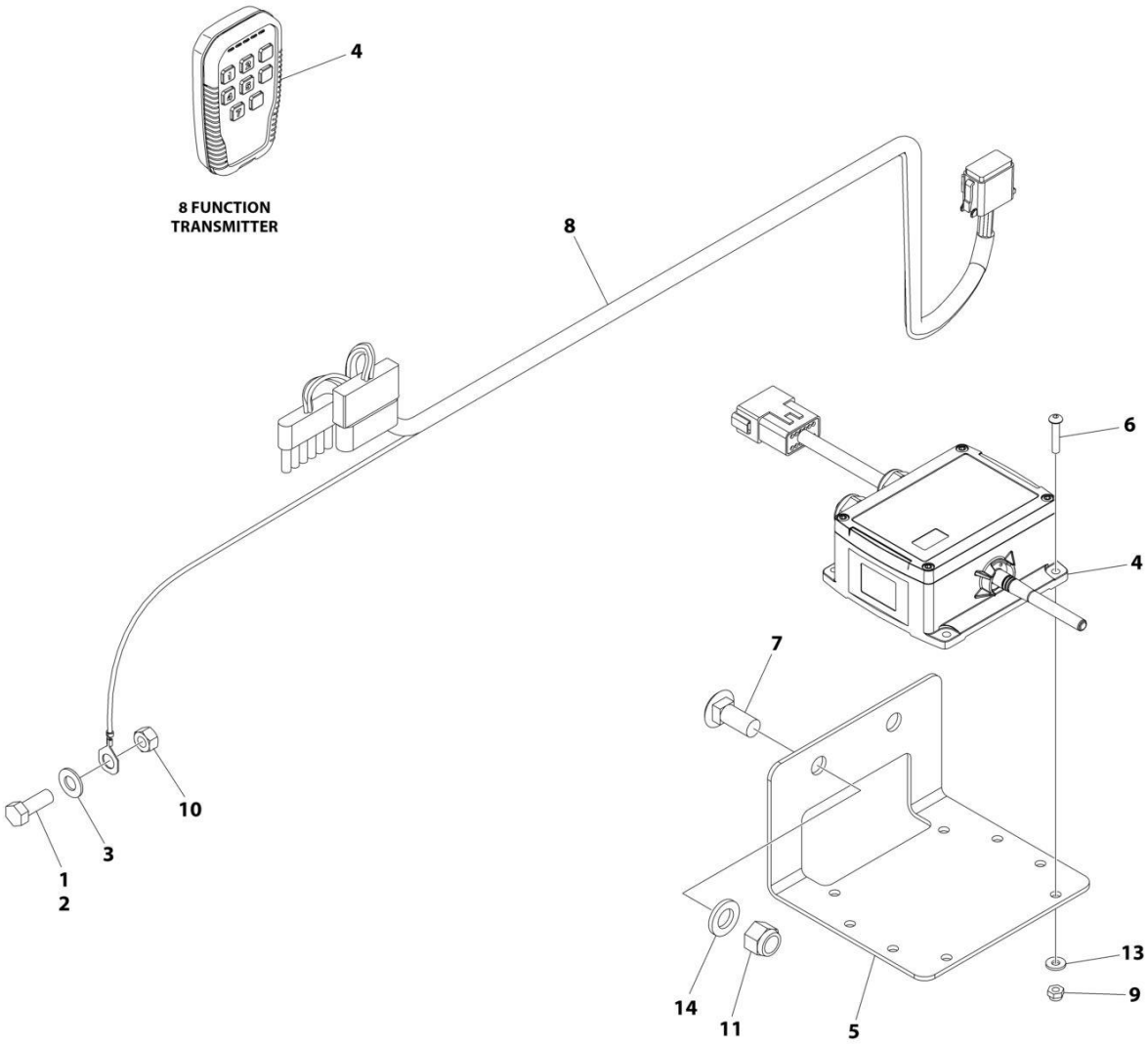
SECTION 7 - ELECTRICAL

FIGURE 7-27. REMOTE CONTROL HOLDER INSTALLATION

ITEM	PART NUMBER	QTY	DESCRIPTION	REV
	2002000031	Ref	Remote Control Transmitter Holder	D
1	7002000521	1	Holder, Box	
2	7661000056	1	Nut #10	
3	7114100518	2	Screw #10 x 5/8	
4	1001230127	1	Mount	
5	7790142051	2	Screw 1/4 x 1-1/4	

SECTION 7 - ELECTRICAL

FIGURE 7-28. REMOTE CONTROL INSTALLATION - 8 FUNCTION



ART_1001297225

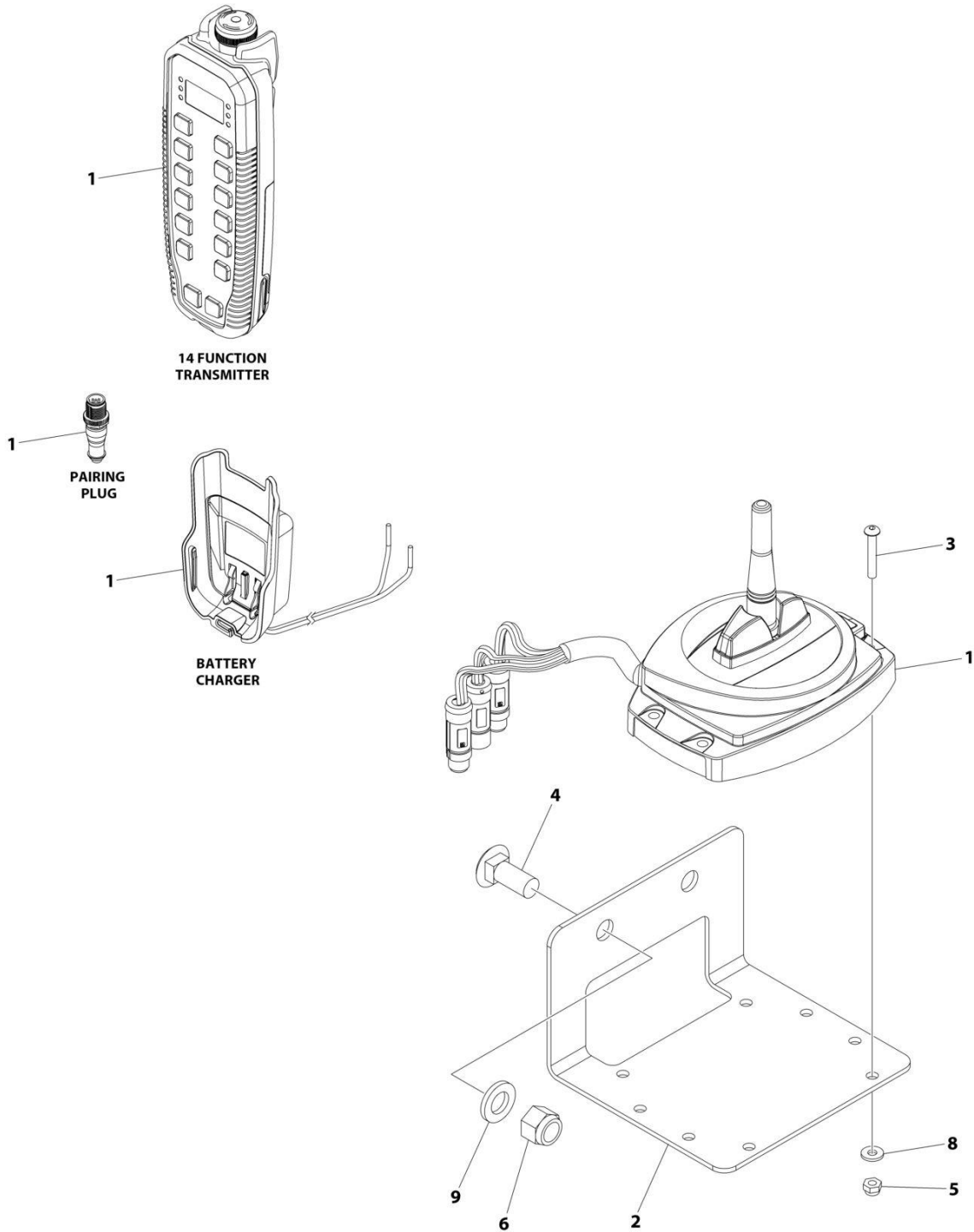
SECTION 7 - ELECTRICAL

FIGURE 7-28. REMOTE CONTROL INSTALLATION - 8 FUNCTION

ITEM	PART NUMBER	QTY	DESCRIPTION	REV
	1001297225	Ref	REMOTE CONTROL INSTALLATION	A
1	0100011	AR	Compound Locking	
2	0681608	1	Bolt 3/8 x 1	
3	4711600	1	Washer 3/8	
4	1001297178	1	Controller	
5	1001300459	1	Bracket	
6	7114100818	4	Capscrew #10 x 1	
7	7115181064	2	Bolt 1/2 x 1-1/4	
8	7552000384	1	Remote Control Harness (See Separate Breakdown in this Section)	
9	7660102604	4	Nut #10	
10	7660160001	1	Nut 3/8	
11	7660182601	2	Nut 1/2	
12	7894000004	3	Tie-Strap (Not Shown)	
13	7950100143	4	Washer 3/16	
14	7950180153	2	Washer 1/2	

SECTION 7 - ELECTRICAL

FIGURE 7-29. REMOTE CONTROL INSTALLATION - 14 FUNCTION



ART_1001299301

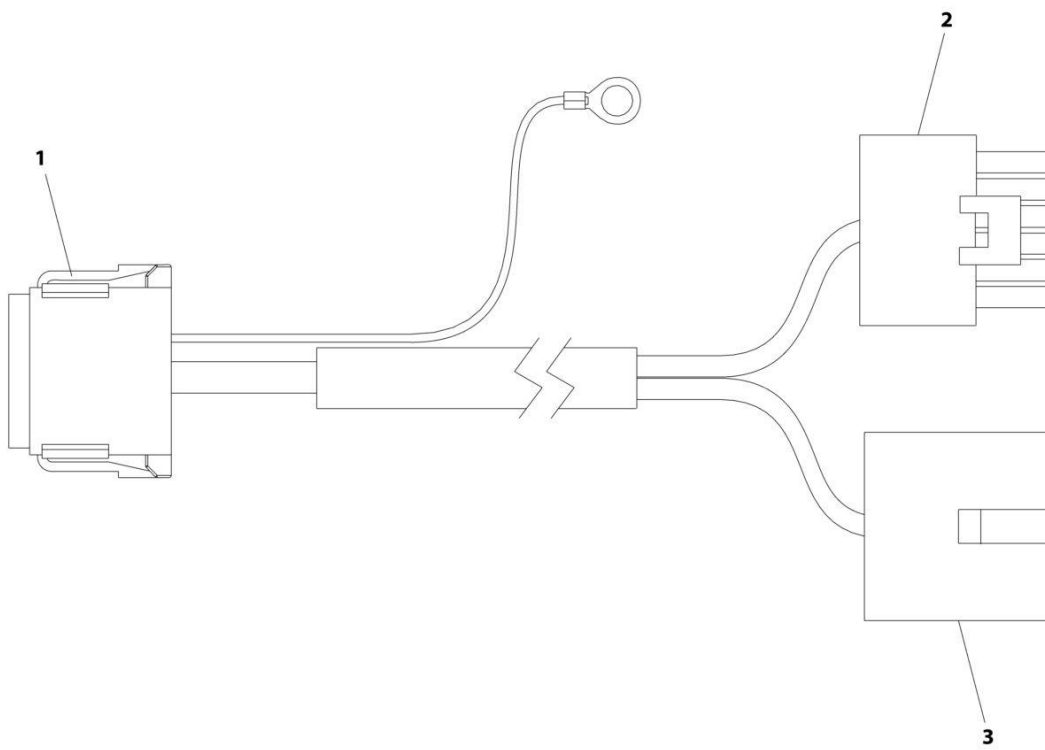
SECTION 7 - ELECTRICAL

FIGURE 7-29. REMOTE CONTROL INSTALLATION - 14 FUNCTION

ITEM	PART NUMBER	QTY	DESCRIPTION	REV
	1001299301	Ref	REMOTE CONTROL INSTALLATION	A
1	1001299208	1	Controller	
2	1001300459	1	Bracket	
3	7114101018	4	Capscrew #10 x 1-1/4	
4	7115181064	2	Bolt 1/2 x 1-1/4	
5	7660102604	4	Nut #10	
6	7660182601	2	Nut 1/2	
7	7894000004	3	Tie-Strap (Not Shown)	
8	7950100143	4	Washer 3/16	
9	7950180153	2	Washer 1/2	

SECTION 7 - ELECTRICAL

FIGURE 7-30. REMOTE CONTROL HARNESS



ART_7552000384

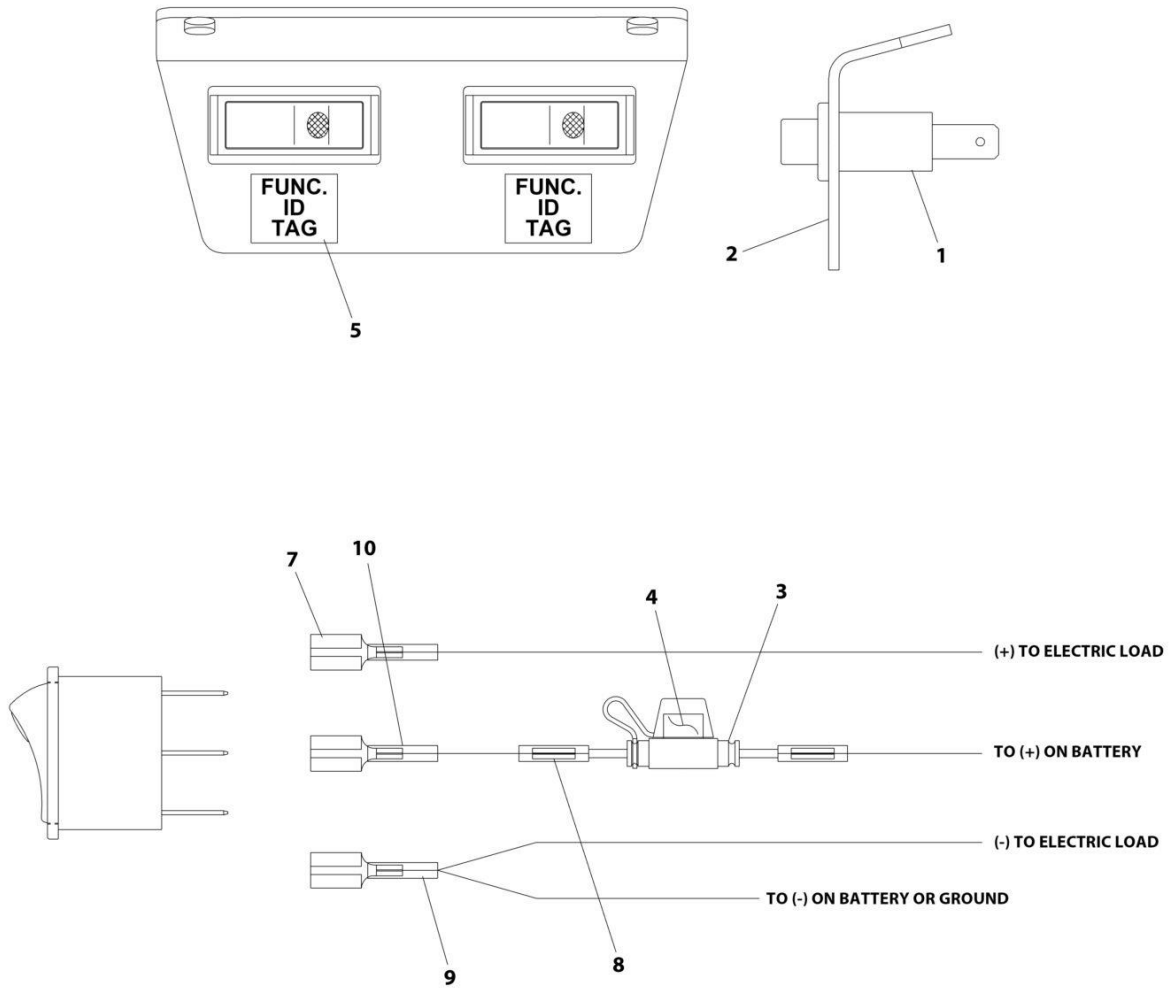
SECTION 7 - ELECTRICAL

FIGURE 7-30. REMOTE CONTROL HARNESS

ITEM	PART NUMBER	QTY	DESCRIPTION	REV
	7552000384	Ref	REMOTE CONTROL HARNESS - 4 FUNCTION TOGGLE	0
1	4460933	1	Plug Male - 12 Position	
1	4460465	11	Socket, Female	
1	4460466	1	Plug, Terminal	
2		Ref	Plug, Male - 6 Position	
2	4460457	4	Pin, Male	
2	4460458	6	Seal	
2	1001116727	2	Plug	
3		Ref	Receptacle, Female - 6 Position	
3	4460475	6	Pin, Male	
3	4460458	6	Seal	

SECTION 7 - ELECTRICAL

FIGURE 7-31. SWITCH PANEL INSTALLATION - 2 FUNCTION



ART_2870000012

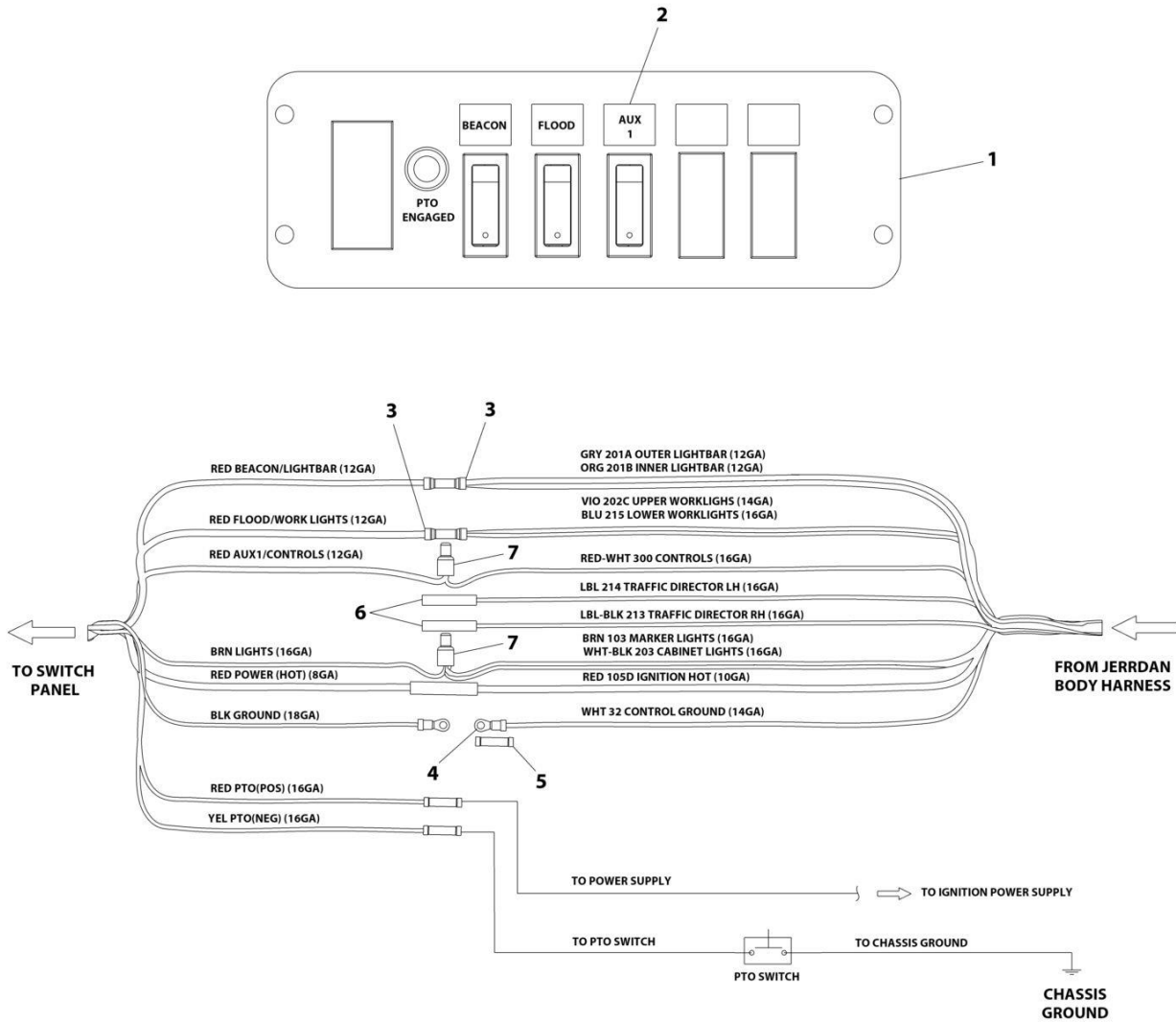
SECTION 7 - ELECTRICAL

FIGURE 7-31. SWITCH PANEL INSTALLATION - 2 FUNCTION

ITEM	PART NUMBER	QTY	DESCRIPTION	REV
	2870000012	Ref	SWITCH PANEL INSTALLATION - 2 FUNCTION	B
1	7870000083	2	Switch	
2	4178000427	1	Bracket	
3	7346000126	2	Fuse Holder	
4	7457000015	2	Fuse	
5	7330000288	1	Decal	
6	7120000034	2	Screw #10 x 3/4 (Not Shown)	
7	7345001710	4	Tab	
8	7345001914	4	Terminal	
9	4346000005	10	Heat Shrink Tubing	
10	7345001910	2	Tab	

SECTION 7 - ELECTRICAL

FIGURE 7-32. SWITCH PANEL INSTALLATION - 3 FUNCTION (IN DASH COMPACT)



ART_1001266075

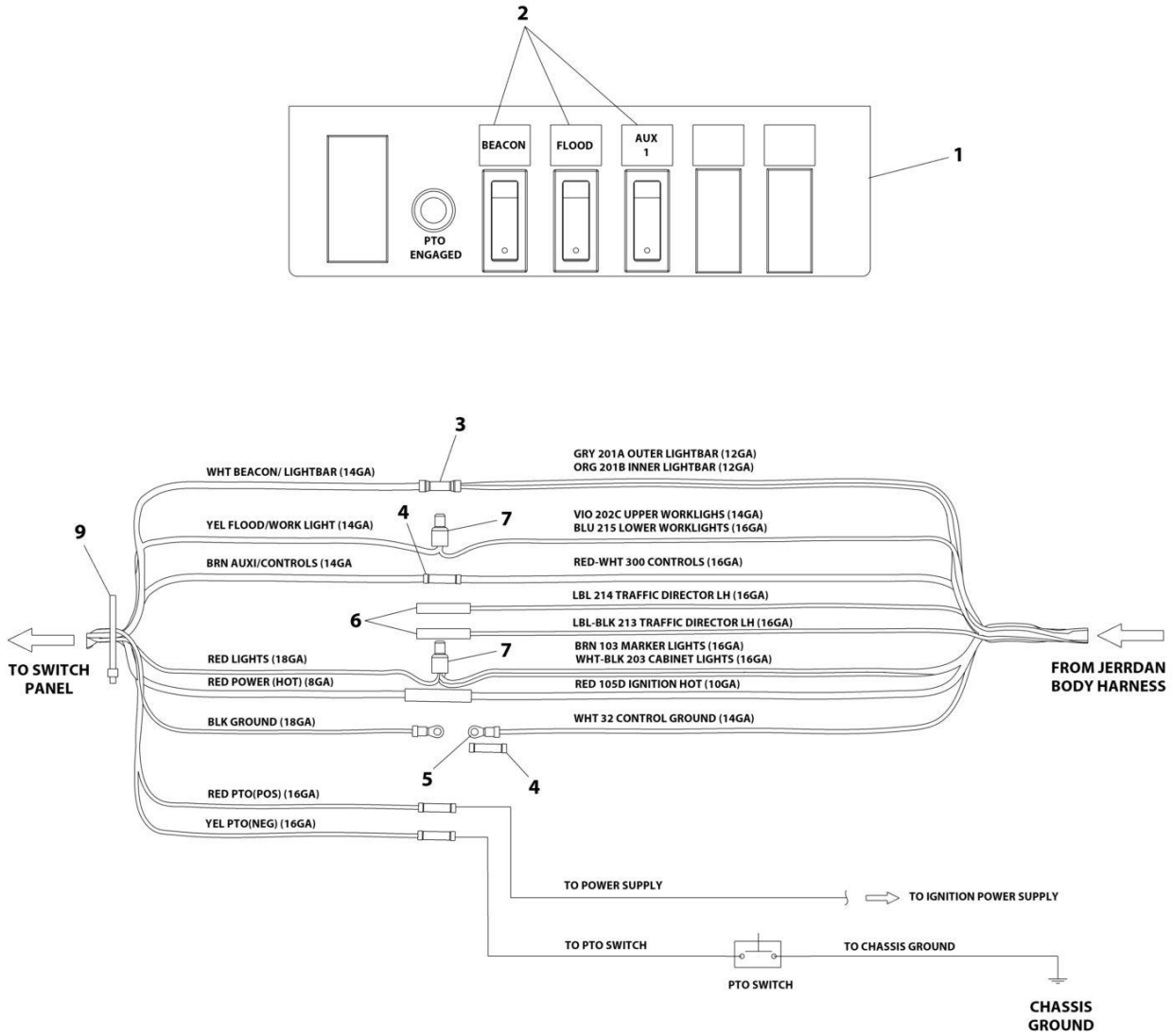
SECTION 7 - ELECTRICAL

FIGURE 7-32. SWITCH PANEL INSTALLATION - 3 FUNCTION (IN DASH COMPACT)

ITEM	PART NUMBER	QTY	DESCRIPTION	REV
	1001266075	Ref	3 FUNCTION IN-DASH COMPACT INSTALLATION	A
1	7870000100	1	Switch Panel	
2	7330000288	1	Decal	
3	4460018	2	Terminal	
4	4460042	1	Terminal	
5	4460035	1	Terminal	
6	4346000005	2	Heat Shrink	
7	7346000242	2	Connector	

SECTION 7 - ELECTRICAL

FIGURE 7-33. SWITCH PANEL ASSEMBLY - 3 FUNCTION (UNDER DASH COMPACT)



ART_1001266355

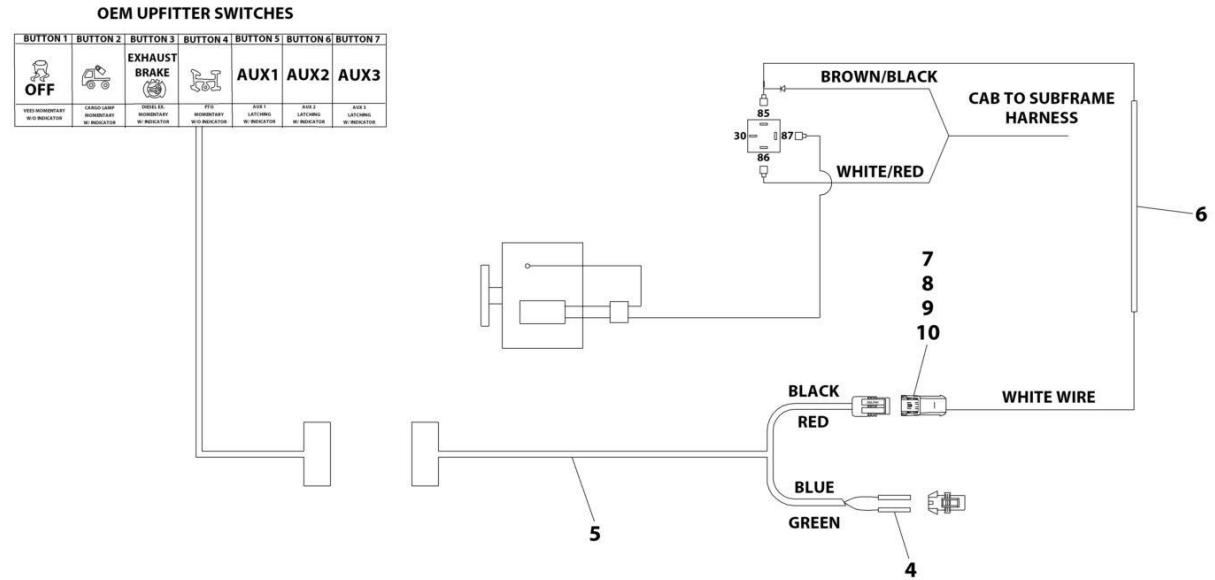
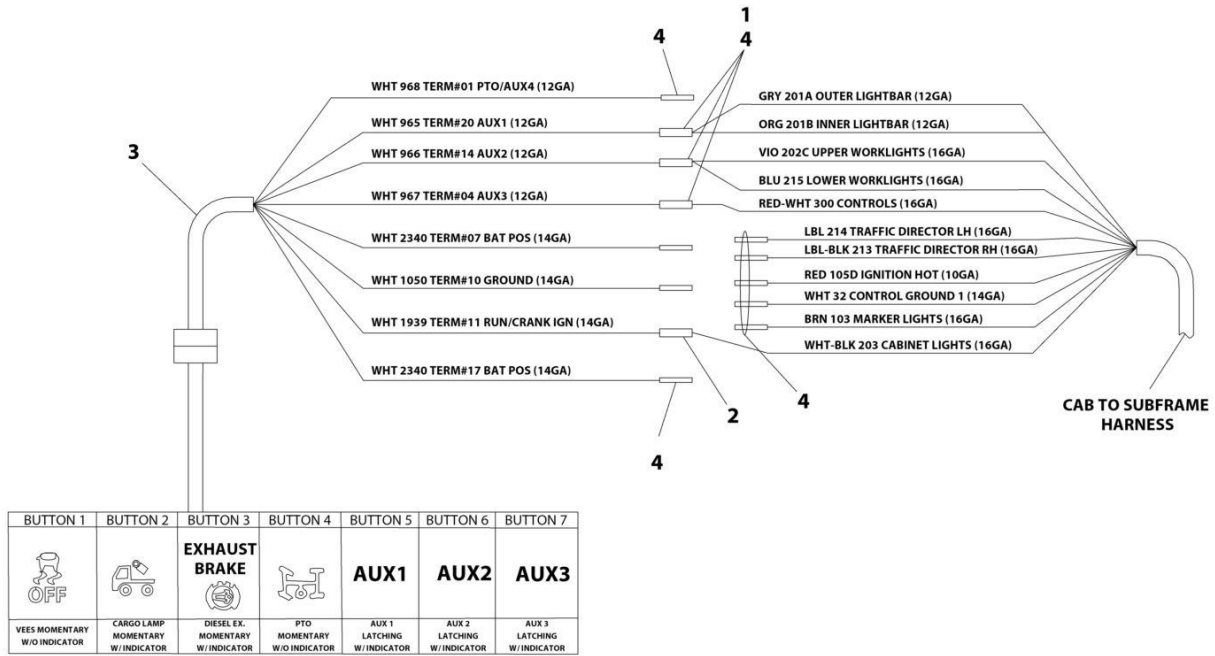
SECTION 7 - ELECTRICAL

FIGURE 7-33. SWITCH PANEL ASSEMBLY - 3 FUNCTION (UNDER DASH COMPACT)

ITEM	PART NUMBER	QTY	DESCRIPTION	REV
	1001266355	Ref	3 FUNCTION UNDER-DASH COMPACT INSTALLATION	A
1	7870000134	1	Switch Panel	
2	7330000288	1	Decal	
3	4460018	1	Terminal	
4	4460035	2	Terminal	
5	4460042	1	Terminal	
6	4346000005	2	Heat Shrink	
7	7346000242	2	Connector	
8	8597650003	2 ft	Wire (Not Shown)	
9	5526000553	6	Tie Strap	

SECTION 7 - ELECTRICAL

FIGURE 7-34. SWITCH PANEL INSTALLATION - 3 FUNCTION (CV515 OEM)



ART_1001267332

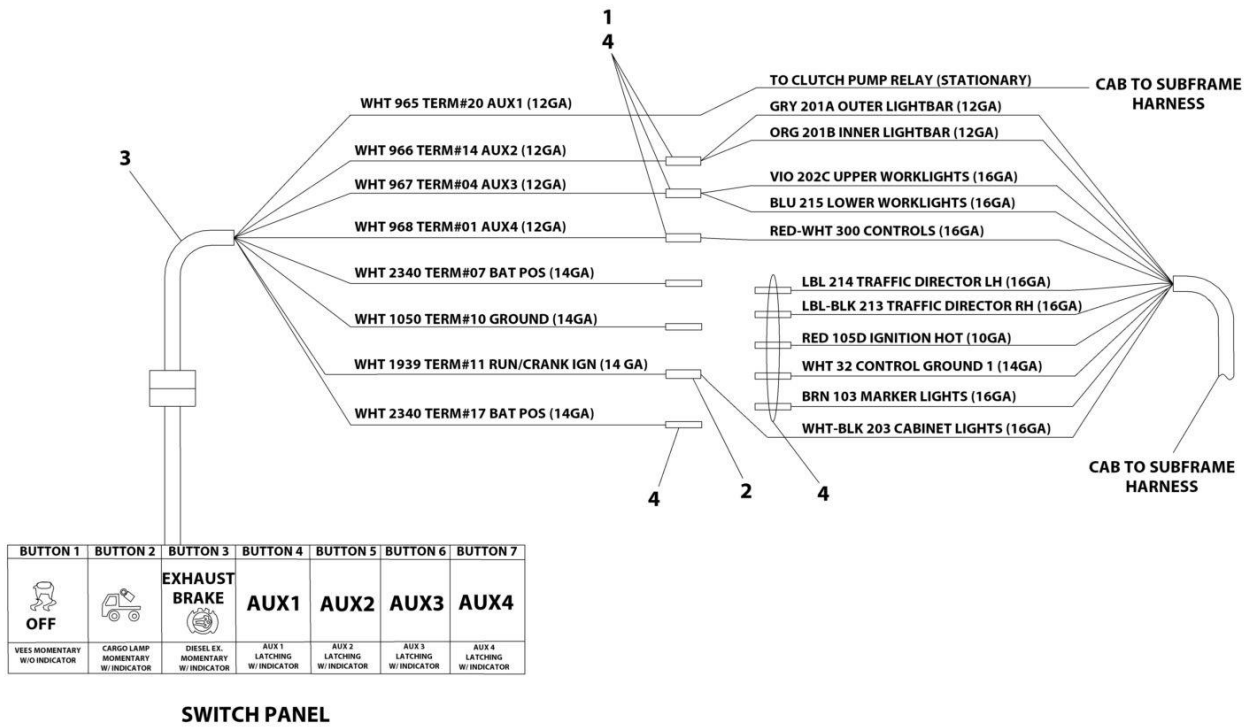
SECTION 7 - ELECTRICAL

FIGURE 7-34. SWITCH PANEL INSTALLATION - 3 FUNCTION (CV515 OEM)

ITEM	PART NUMBER	QTY	DESCRIPTION	REV
	1001267332	Ref	SWITCH PANEL INSTALLATION - 3 FUNCTION (CV515 OEM)	A
1	7345001914	3	Terminal	
2	7345001714	1	Terminal	
3	1001254044	1	Harness	
4	4346000005	AR	Heat Shrink Tubing	
5	1001250685	1	Wiring Harness Kit	
6	8977010103	10 ft	Conductor	
7	1001117026	1	Connector	
8	4460789	1	Terminal	
9	1001116727	1	Pluag	
10	1001116729	1	Terminal	

SECTION 7 - ELECTRICAL

FIGURE 7-35. SWITCH PANEL INSTALLATION – 4 FUNCTION



ART_1001267981

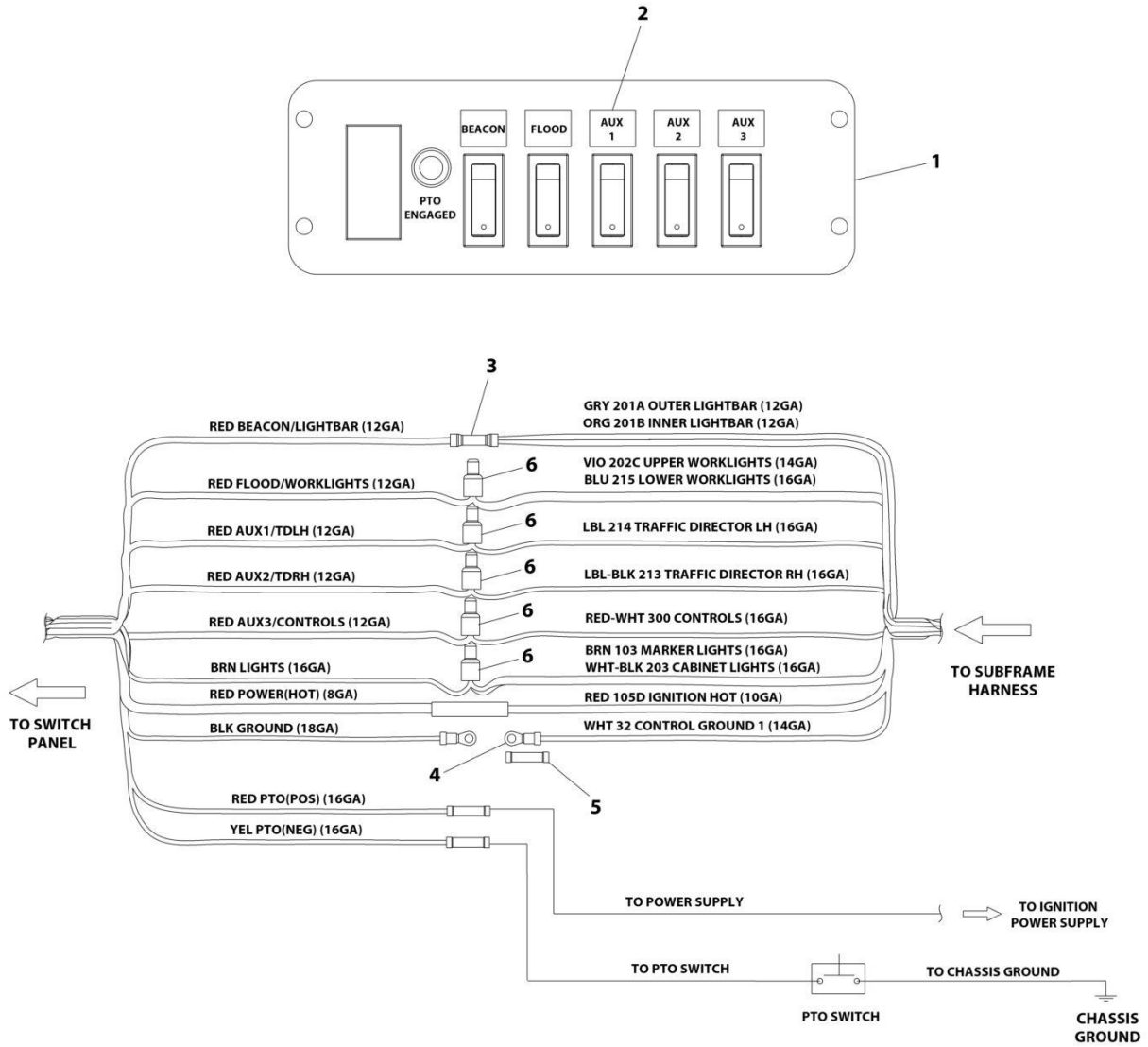
SECTION 7 - ELECTRICAL

FIGURE 7-35. SWITCH PANEL INSTALLATION – 4 FUNCTION

ITEM	PART NUMBER	QTY	DESCRIPTION	REV
	1001267981	Ref	SWITCH PANEL INSTALLATION - 4 FUNCTION (CV515 OEM)	A
1	7345001914	3	Terminal	
2	7345001714	1	Terminal	
3	1001254044	1	Harness	
4	4346000005	AR	Heat Shrink Tubing	

SECTION 7 - ELECTRICAL

FIGURE 7-36. SWITCH PANEL ASSEMBLY - 5 FUNCTION (IN DASH COMPACT)



ART_1001266357

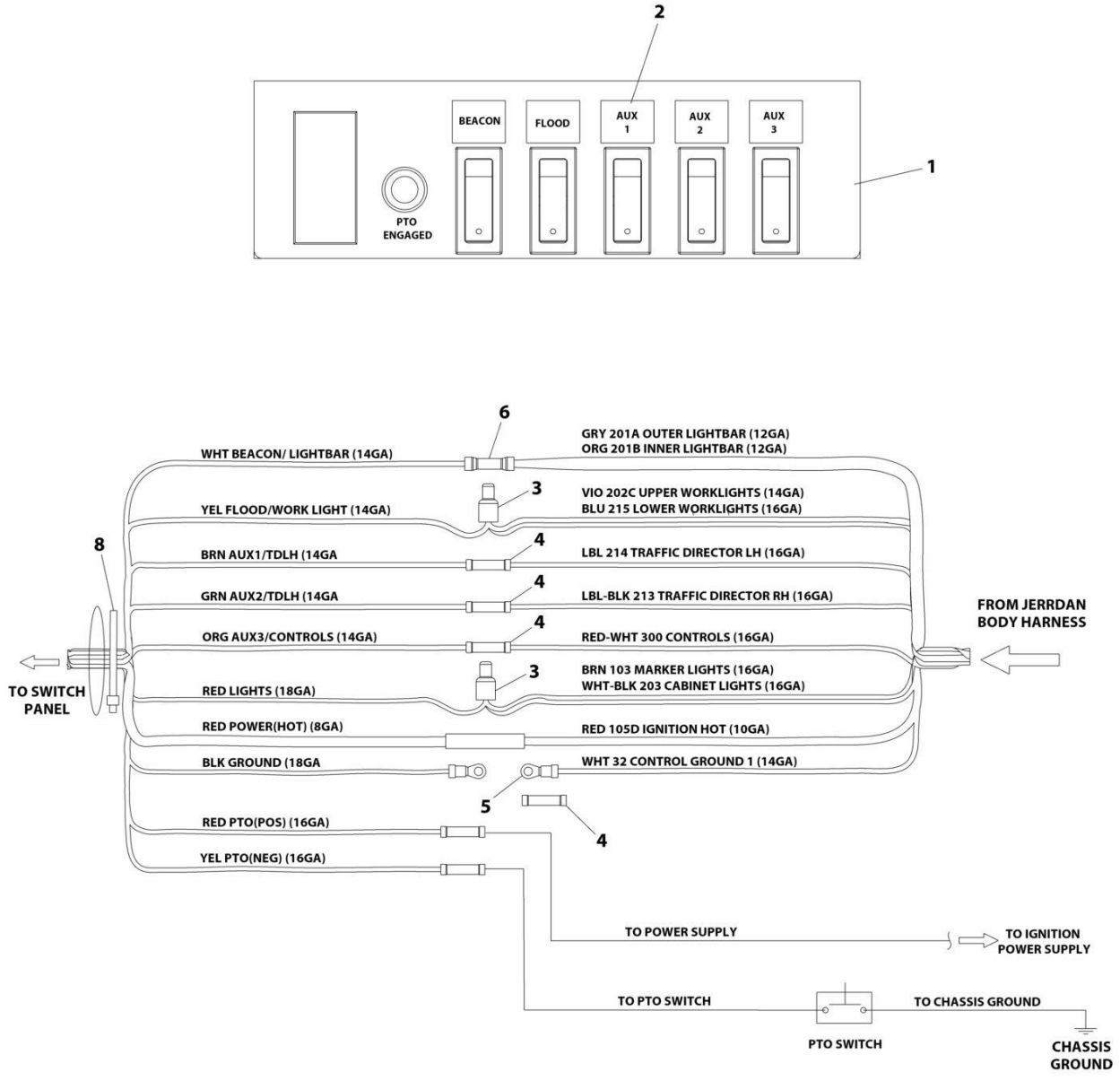
SECTION 7 - ELECTRICAL

FIGURE 7-36. SWITCH PANEL ASSEMBLY - 5 FUNCTION (IN DASH COMPACT)

ITEM	PART NUMBER	QTY	DESCRIPTION	REV
	1001266357	Ref	5 FUNCTION IN-DASH COMPACT SWITCH PANEL ASSEMBLY	A
1	7870000106	1	Switch Panel	
2	7330000288	1	Decal	
3	4460018	1	Terminal	
4	4460042	1	Terminal	
5	4460035	1	Terminal	
6	7346000242	5	Connector	

SECTION 7 - ELECTRICAL

FIGURE 7-37. SWITCH PANEL ASSEMBLY - 5 FUNCTION (UNDER DASH COMPACT)



ART_1001266359

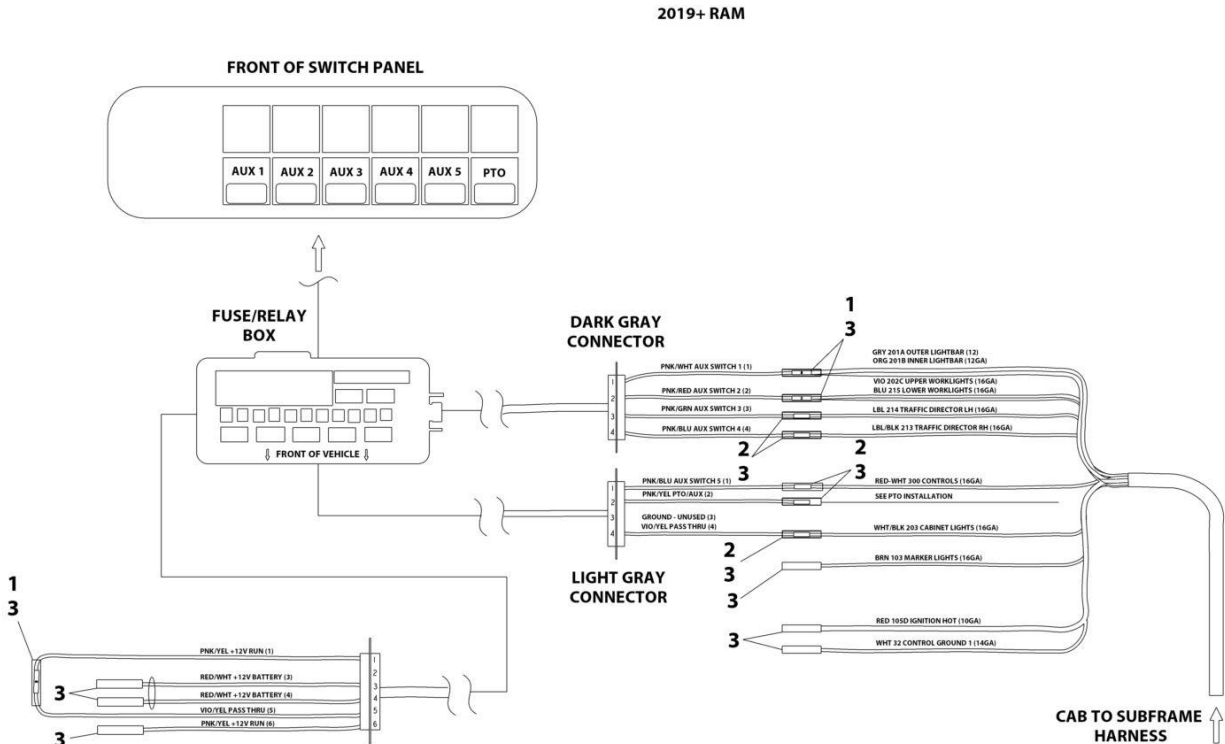
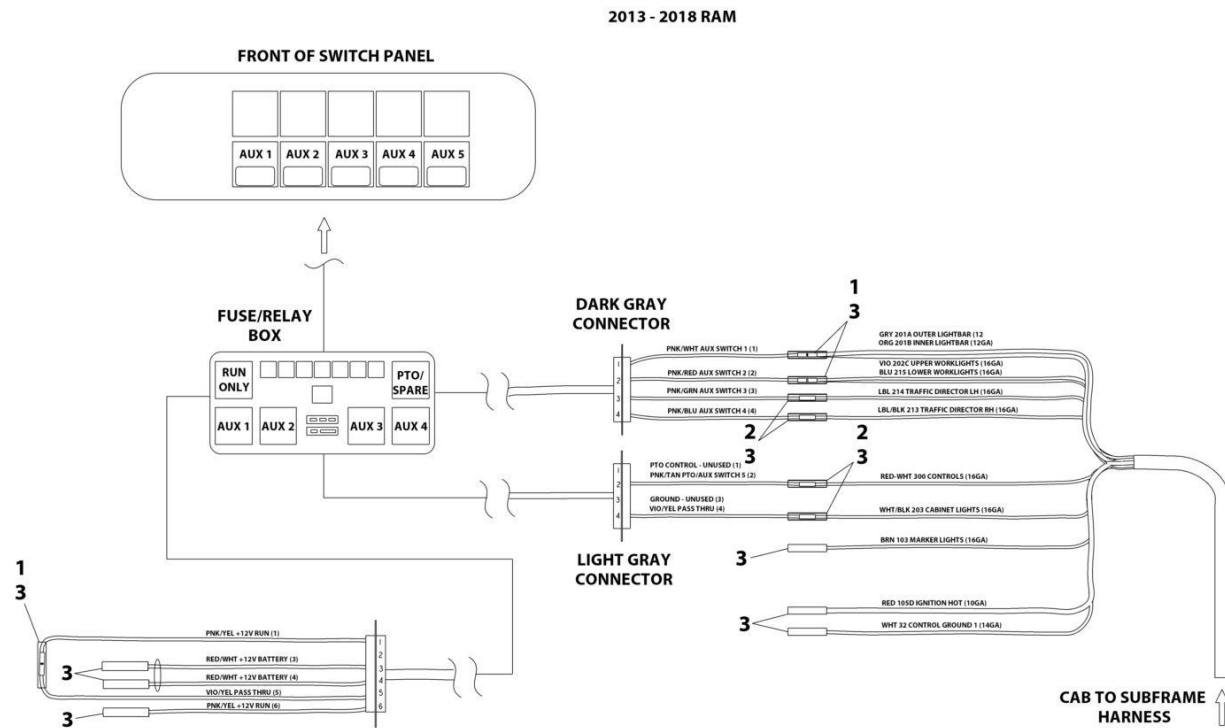
SECTION 7 - ELECTRICAL

FIGURE 7-37. SWITCH PANEL ASSEMBLY - 5 FUNCTION (UNDER DASH COMPACT)

ITEM	PART NUMBER	QTY	DESCRIPTION	REV
	1001266359	Ref	5 FUNCTION UNDER-DASH SWITCH PANEL ASSEMBLY	A
1	7870000137	1	Switch Panel	
2	7330000288	1	Decal	
3	7346000242	2	Connector	
4	4460035	1	Terminal	
5	4460042	1	Terminal	
6	4460018	1	Terminal	
7	8597650003	2 ft	Wire (Not Shown)	
8	5526000553	6	Tie Strap	

SECTION 7 - ELECTRICAL

FIGURE 7-38. SWITCH PANEL INSTALLATION - 5 FUNCTION (DODGE 2013)



ART_1001267711

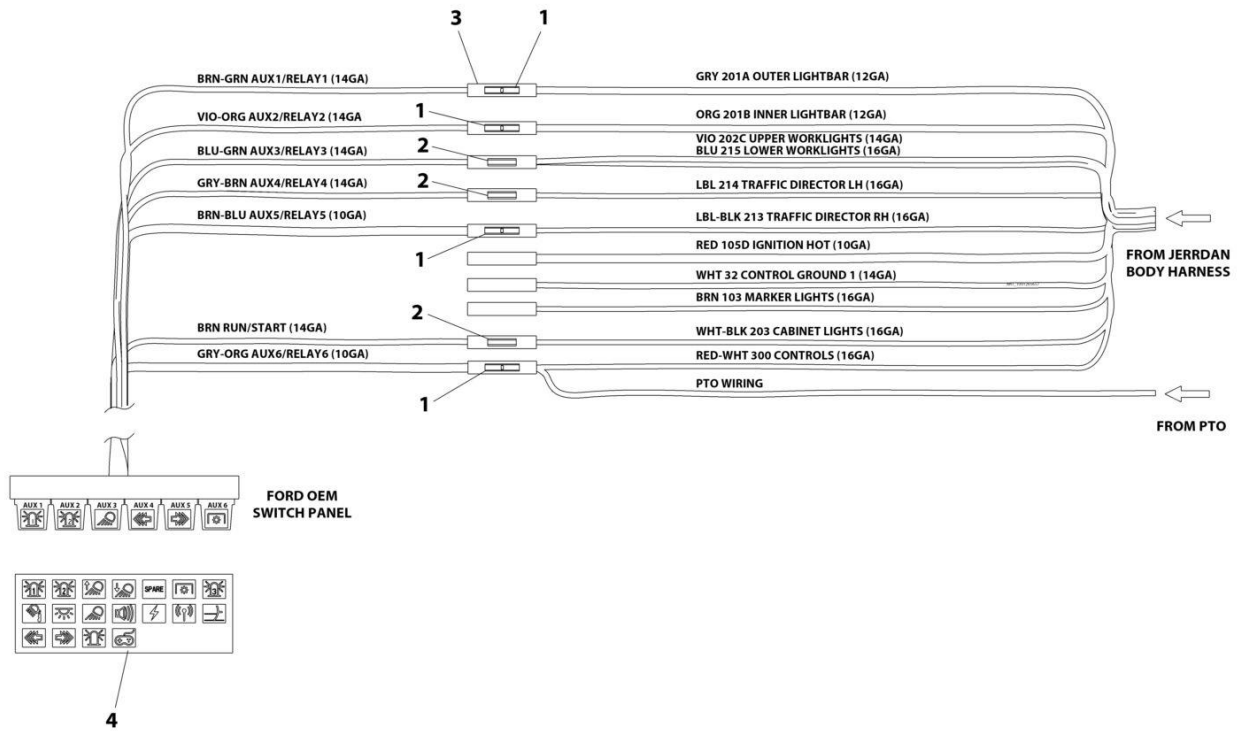
SECTION 7 - ELECTRICAL

FIGURE 7-38. SWITCH PANEL INSTALLATION - 5 FUNCTION (DODGE 2013)

ITEM	PART NUMBER	QTY	DESCRIPTION	REV
	1001267711	Ref	SWITCH PANEL INSTALLATION - 5 FUNCTION (DODGE 2013)	A
1	7345001914	3	Terminal	
2	7345001714	5	Terminal	
3	4346000005	14	Tubing	

SECTION 7 - ELECTRICAL

FIGURE 7-39. SWITCH PANEL INSTALLATION - 6 FUNCTION



ART_1001266884

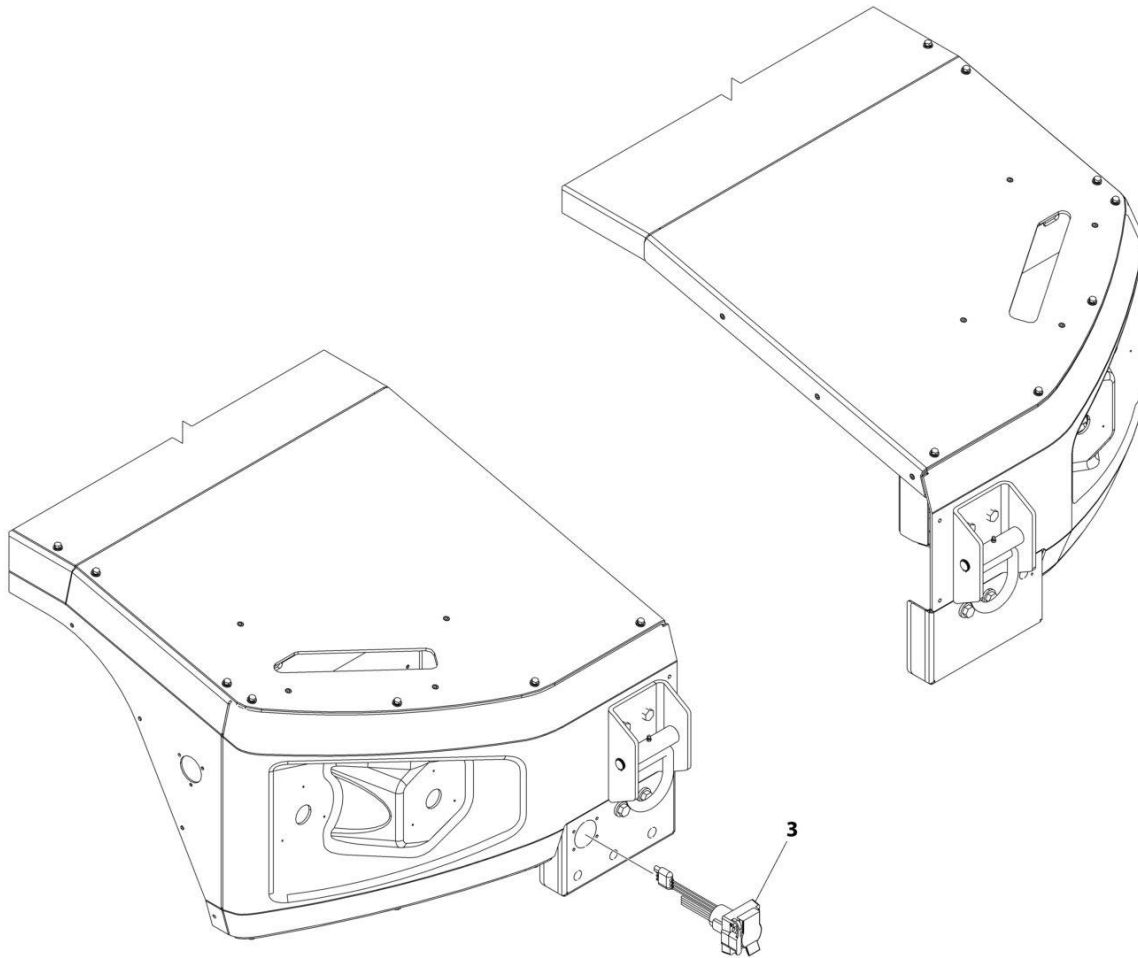
SECTION 7 - ELECTRICAL

FIGURE 7-39. SWITCH PANEL INSTALLATION - 6 FUNCTION

ITEM	PART NUMBER	QTY	DESCRIPTION	REV
	1001266884	Ref	SWITCH PANEL INSTALLATION - 6 FUNCTION (FORD 2017)	A
1	7345001914	4	Terminal	
2	7345001714	3	Terminal	
3	4346000005	10	Tubing	
4	1001221375	1	Decal	
5	1001225217	1	Electrical Assembly - Ford PTO (Not Shown) (See Separate Breakdown in this Section)	

SECTION 7 - ELECTRICAL

FIGURE 7-40. TRAILER PLUG INSTALLATION



ART_1001301373

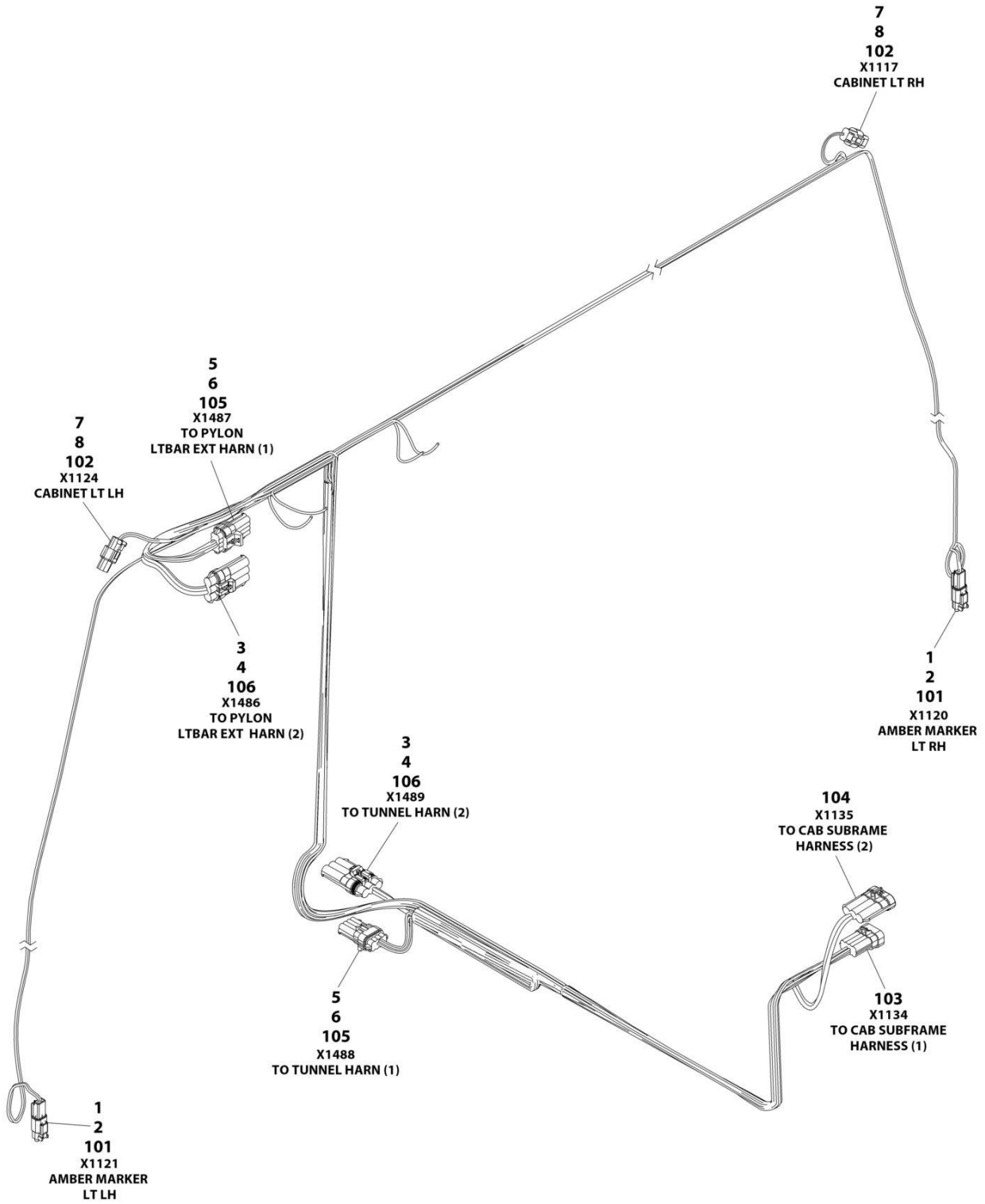
SECTION 7 - ELECTRICAL

FIGURE 7-40. TRAILER PLUG INSTALLATION

ITEM	PART NUMBER	QTY	DESCRIPTION	REV
	1001301373	Ref	TRAILER PLUG INSTALLATION	A
1	1001201994	3	Connector (Not Shown)	
2	1001274244	4	Connector (Not Shown)	
3	1001301375	1	Plug	
4	4346000005	7	Heat Shrink Tubing (Not Shown)	

SECTION 7 - ELECTRICAL

FIGURE 7-41. TUNNEL HARNESS



ART_1001291066

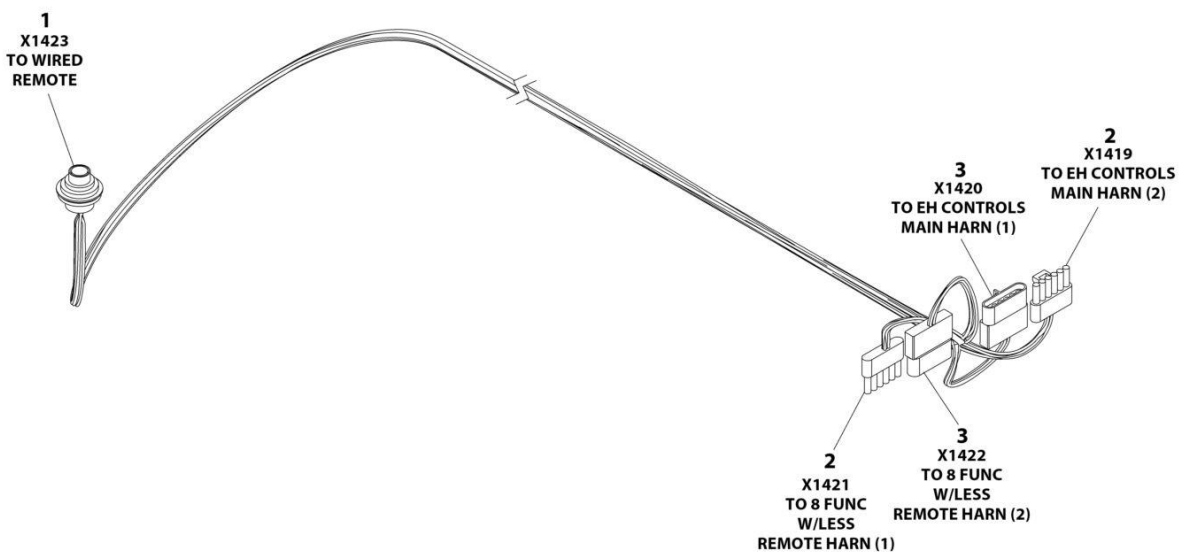
SECTION 7 - ELECTRICAL

FIGURE 7-41. TUNNEL HARNESS

ITEM	PART NUMBER	QTY	DESCRIPTION	REV
	1001291066	Ref	TUNNEL HARNESS	C
1	4460466	4	Plug	
2	4460891	2	Connector	
3	8220101	6	Plug	
4	8220934	2	Connector	
5	1001116751	16	Plug	
6	1001288454	2	Connector	
7	4460897	2	Connector	
8	4460464	4	Pin	
101	4460897	2	Connector	
101	4460464	4	Pin	
102	4460891	2	Connector	
102	4460465	4	Socket	
103	1001288454	1	Connector	
103	1001288456	8	Socket	
104	8220934	1	Connector	
104	8220100	1	Socket	
104	1001277282	4	Socket	
105	1001288566	2	Connector	
105	8220124	15	Socket	
105	4460608	15	Seal	
106	8220935	1	Connector	
106	8220099	1	Socket	
106	1001288450	1	Seal	
106	1001288449	2	Seal	

SECTION 7 - ELECTRICAL

FIGURE 7-42. WIRED REMOTE HARNESS



ART_1001298692

SECTION 7 - ELECTRICAL

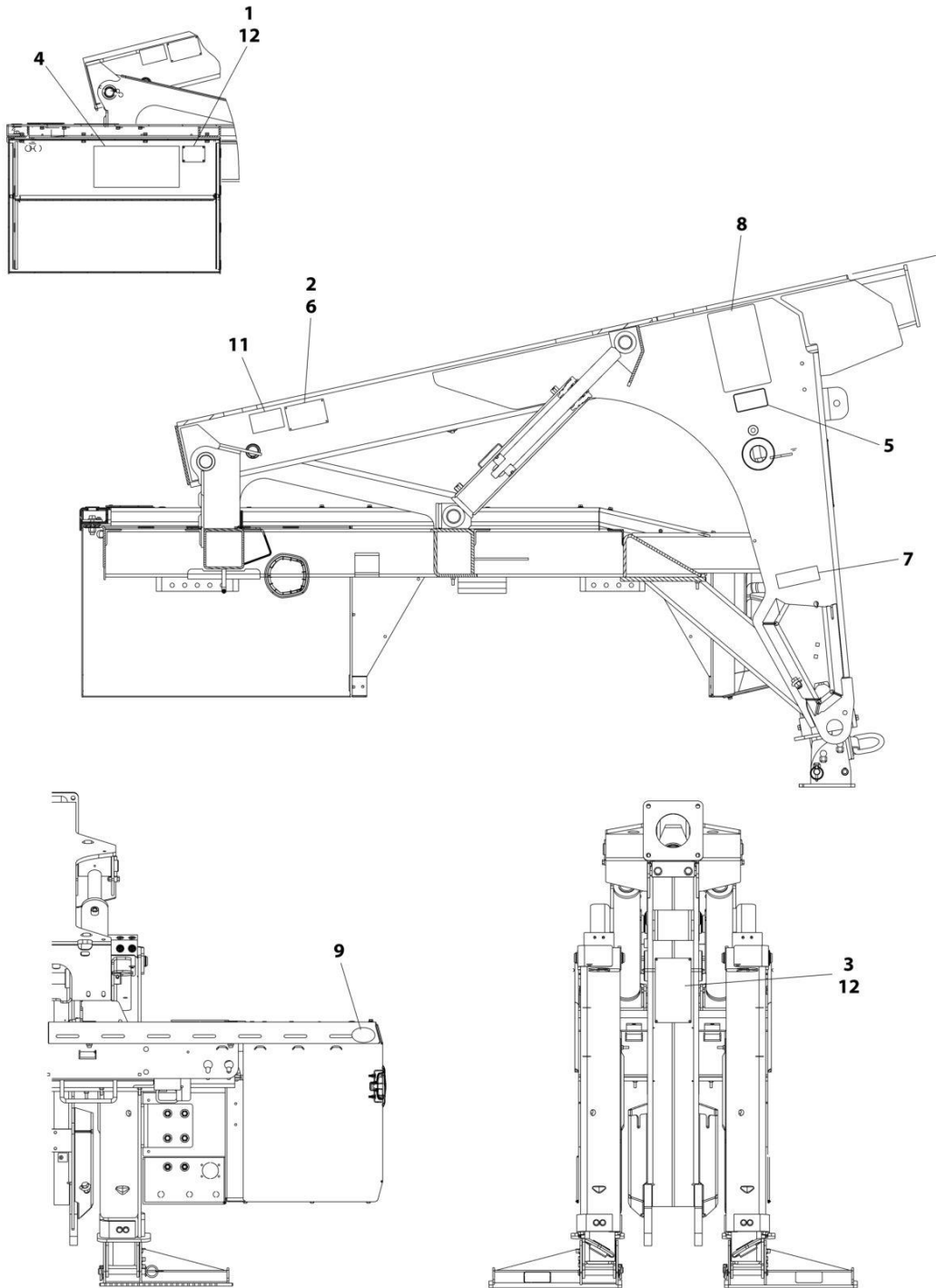
FIGURE 7-42. WIRED REMOTE HARNESS

ITEM	PART NUMBER	QTY	DESCRIPTION	REV
	1001298692	Ref	HARNESS, WIRED REMOTE	A
1	1001271968	1	Connector	
1	1001271970	12	Socket	
2	1001288044	2	Connector	
2	4460743	10	Socket	
2	4460457	2	Socket	
2	4460458	12	Seal	
3	1001288045	2	Connector	
3	4460979	12	Socket	
3	4460458	12	Seal	

SECTION 8 - DECAL

SECTION 8 - DECAL

FIGURE 8-1. DECAL INSTALLATION



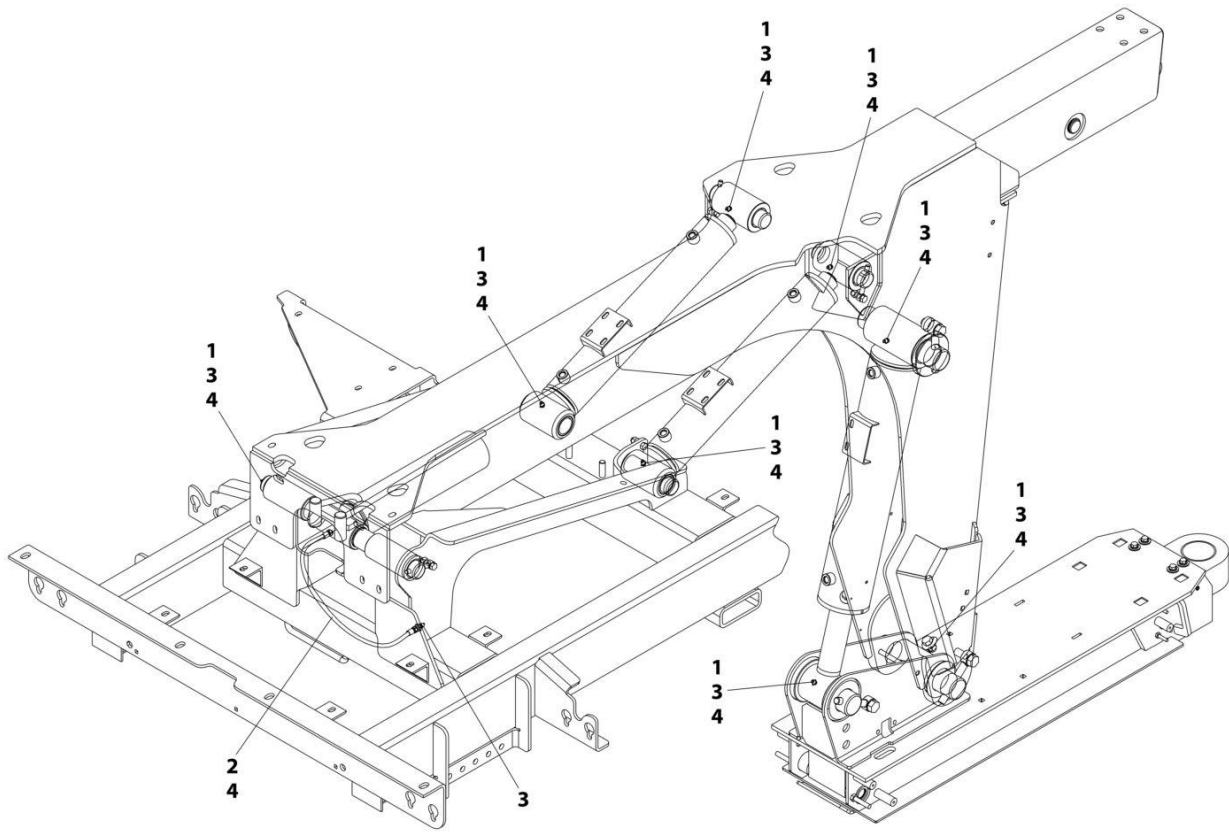
ART_1001297106

FIGURE 8-1. DECAL INSTALLATION

ITEM	PART NUMBER	QTY	DESCRIPTION	REV
	1001297106	Ref	DECAL INSTALLATION	B
1	1001127220	1	Decal - Indent Tag	
2	1001132346	1	Decal - Patent Placard	
3	1001132509	1	Decal - Serial Number	
4	1001207921	1	Decal - Lubrication	
5	1001231801	2	Decal - Warning	
6	4892000007	2	Tape	
7	7330000122	2	Decal - Warning	
8	7330000138	1	Decal - Checklist	
9	7330000143	1	Decal - Made in USA	
11	7330000546	1	Decal - Winch Cable Warning	
12	7759000004	8	Pop Rivet	

SECTION 8 - DECAL

FIGURE 8-2. LUBRICATION DECALS AND CAPS INSTALLATION



ART_1001209026

FIGURE 8-2. LUBRICATION DECALS AND CAPS INSTALLATION

ITEM	PART NUMBER	QTY	DESCRIPTION	REV
	1001209026	Ref	LUBRICATION DECALS AND CAPS INSTALLATION	A
1	88671008	8	Grease Fitting	
2	1001205239	1	Hose Assembly	
3	7253000002	9	Fitting, Cap	
4	3020029	AR	Lube Grease	
5	1001209218	1	Decal (Not Shown)	
6	1001207921	1	Decal (Not Shown)	

SECTION 9 - ACCESSORIES

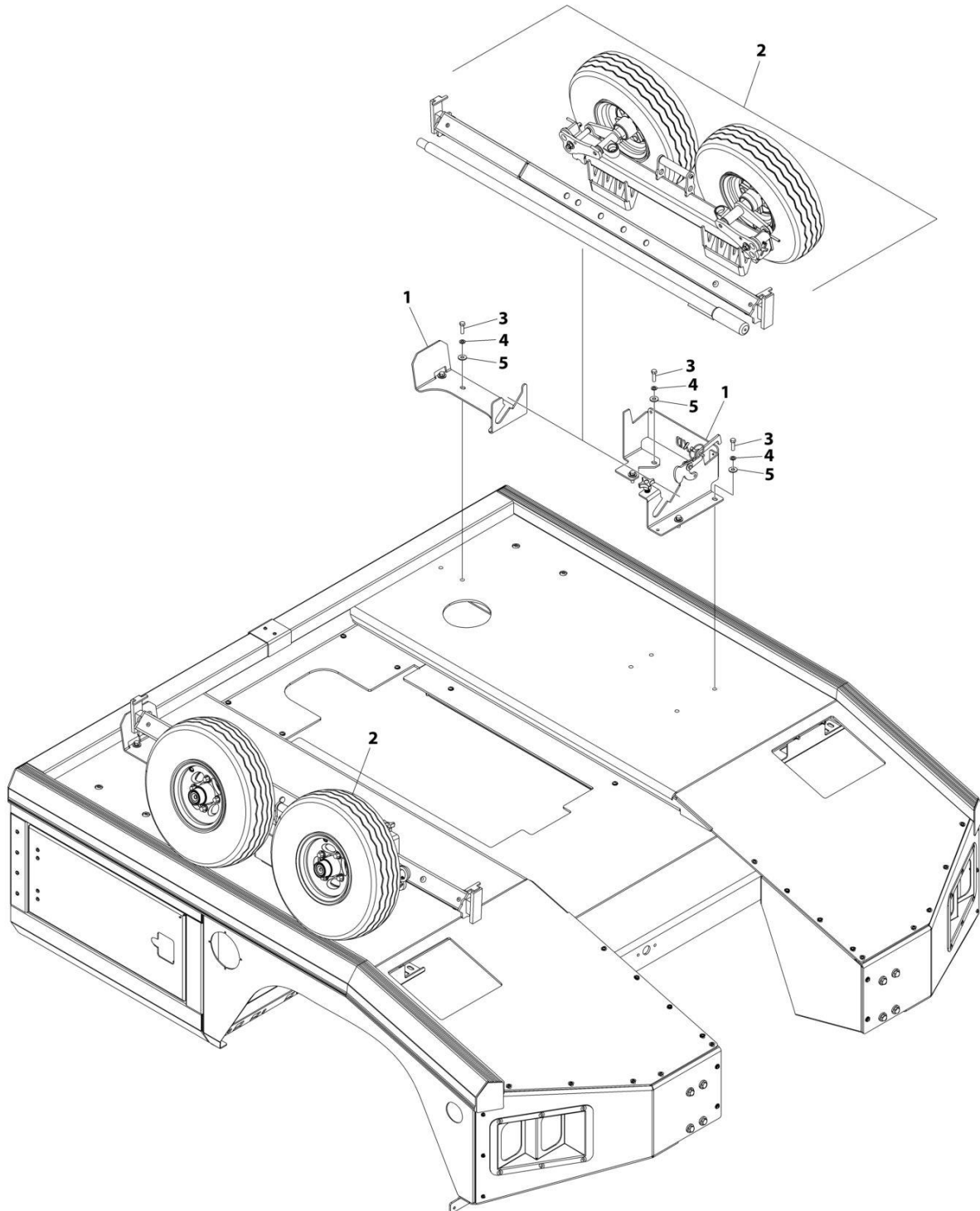
SECTION 9 - ACCESSORIES

FIGURE 9-1. KITS LIST

ITEM	PART NUMBER	QTY	DESCRIPTION	REV
	1001241869	Ref	KITS LIST	H
		Ref	Note: Contact JERR-DAN Parts Department for exact contents of kit:	
	1001290326	Ref	Cylinder Boot Kit (for Underlift Tilt Cylinder)	

SECTION 9 - ACCESSORIES

FIGURE 9-2. DOLLIES INSTALLATION



ART_1001258797

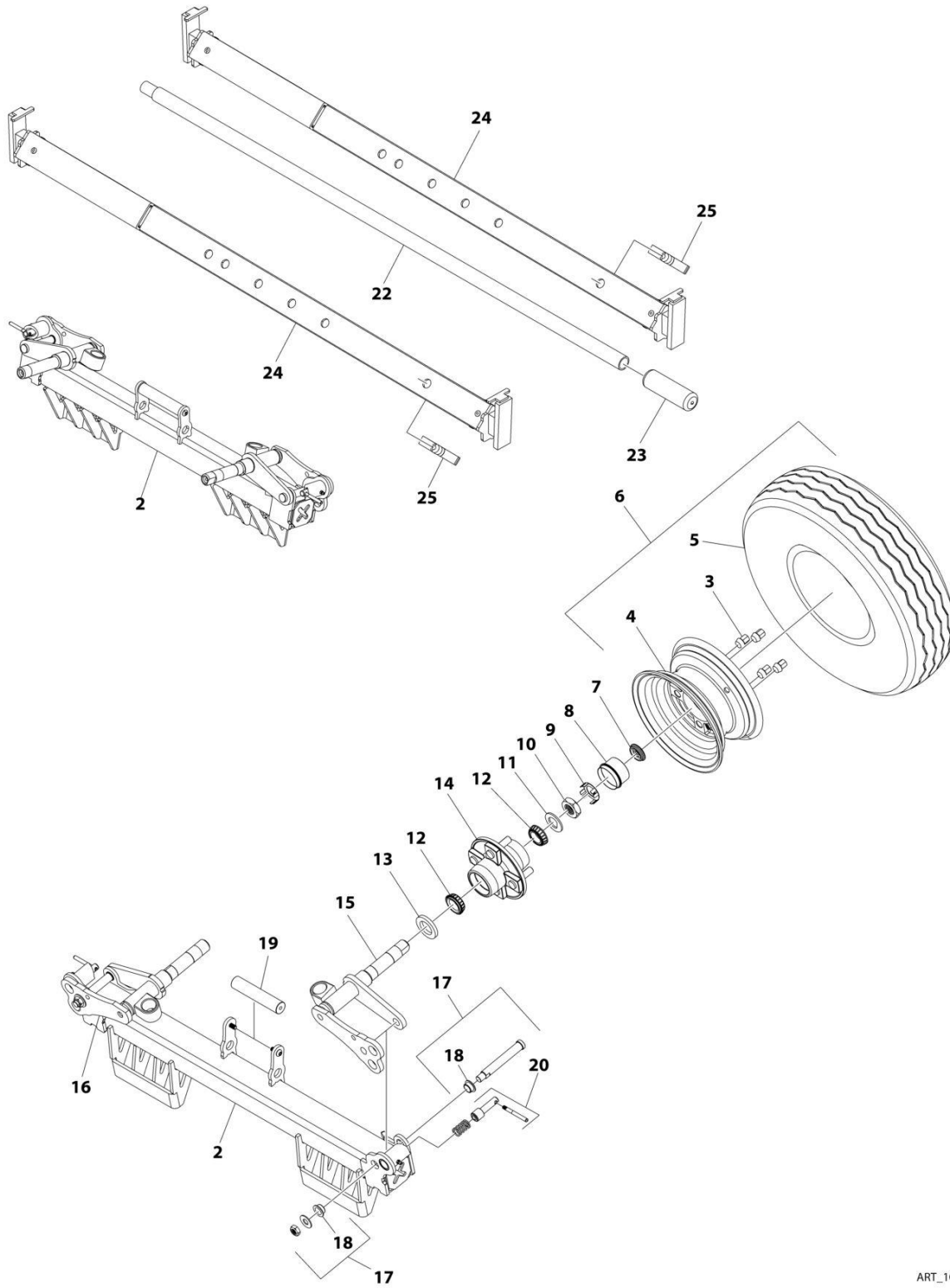
SECTION 9 - ACCESSORIES

FIGURE 9-2. DOLLIES INSTALLATION

ITEM	PART NUMBER	QTY	DESCRIPTION	REV
	1001258797	Ref	DOLLIES INSTALLATION	A
1	1001223286	1	Tow Dolly Mount	
2	1001258796	1	Dollies Assembly (See Separate Breakdown in this Section)	
3	7114161050	12	Screw 3/8 x 1-1/4	
4	4761600	12	Washer 3/8	
5	7950160163	12	Flatwasher 3/8	

SECTION 9 - ACCESSORIES

FIGURE 9-3. DOLLIES ASSEMBLY



ART_1001258796

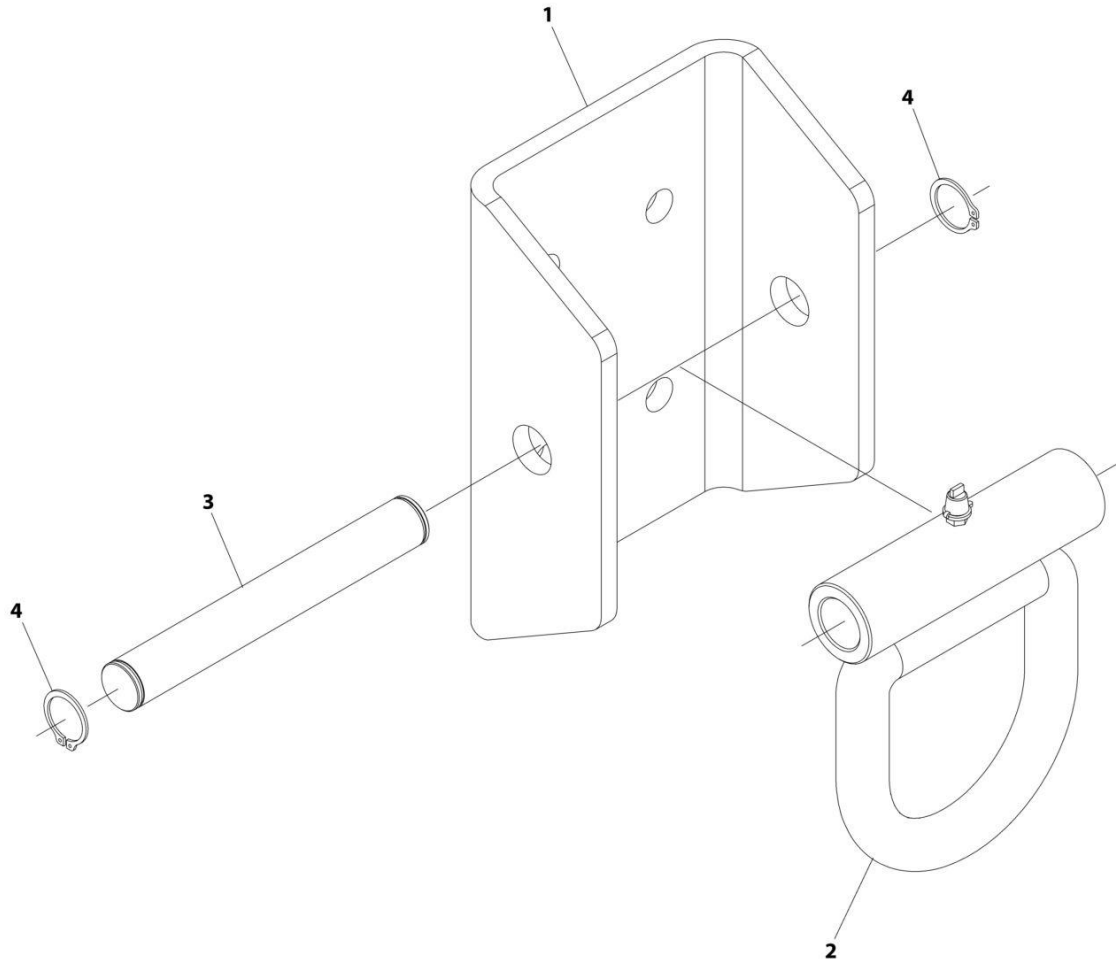
SECTION 9 - ACCESSORIES

FIGURE 9-3. DOLLIES ASSEMBLY

ITEM	PART NUMBER	QTY	DESCRIPTION	REV
	1001258796	Ref	DOLLIES ASSEMBLY	A
2	70051947	2	Frame Only (No Hubs or Tires)	
3	70051645	16	Lug Nut	
4	70051647	4	Rim	
5	70051648	4	Tire 5.7x8	
6	70051920	4	Tire and Wheel Assembly (Includes Items 4&5)	
7	See Note	NSS	Insert, Rubber Cap (Note: Use Item 14)	
8	76051644	2	Cap, Dust	
9	See Note	NSS	Retainer Nut (Note: Use Item 14)	
10	See Note	NSS	Nut Jam (Note: Use Item 14)	
11	See Note	NSS	Washer (Note: Use Item 14)	
12	See Note	NSS	Bearing (Note: Use Item 14)	
13	See Note	NSS	Seal (Note: Use Item 14)	
14	70051929	4	Hub Assembly (Includes Items 7, 9-13)	
15	70051950	4	Spindle-Left	
16	70051951	4	Spindle-Right	
17	70052572	4	Dolly Pin Kit (Includes Item 18)	
18	See Note	NSS	Bushing (Note: Use Item 17)	
19	70051649	2	Handle, Dolly	
20	70051650	4	Cam Lock	
21	NPN	1	Decal Kit (Not Shown)	
22	70052448	1	Bar, Brake	
23	NPN	1	Grip	
24	70052606	2	Axle, Telescope	
25	70051653	2	Button, Snap	
		Ref	Options:	
101	70051953	1	Mount, Universal (Not Shown)	
102	70052426	1	Mount, Axle Slide Tunnel Box (Not Shown)	
103	70052450	1	Box, Drop Down (Not Shown)	
104	70052449	1	Mount, Integrated (Not Shown)	
105	70054727	1	Mount, Simply Locking (Not Shown)	
106	70052164	1	Bunk Kit - 1023 (Not Shown)	
107	70052169	1	Mount, 1242W (Not Shown)	
108	70052600	1	Storage, Tilt-N-Slide (Not Shown)	
109	70052605	1	Carrier, Motorcycle Caddy (Not Shown)	
110	70052165	1	Bunk Kit - 4452 (LH) (Not Shown)	
111	70052166	1	Bunk Kit - 4453 (RH) (Not Shown)	
112	70052167	1	Bunk Kit - Latch (Centre) (Not Shown)	
113	70052168	1	Chain, Bunk (Not Shown)	

SECTION 9 - ACCESSORIES

FIGURE 9-4. D-RING INSTALLATION - NO TOW SLING



ART_1001294036

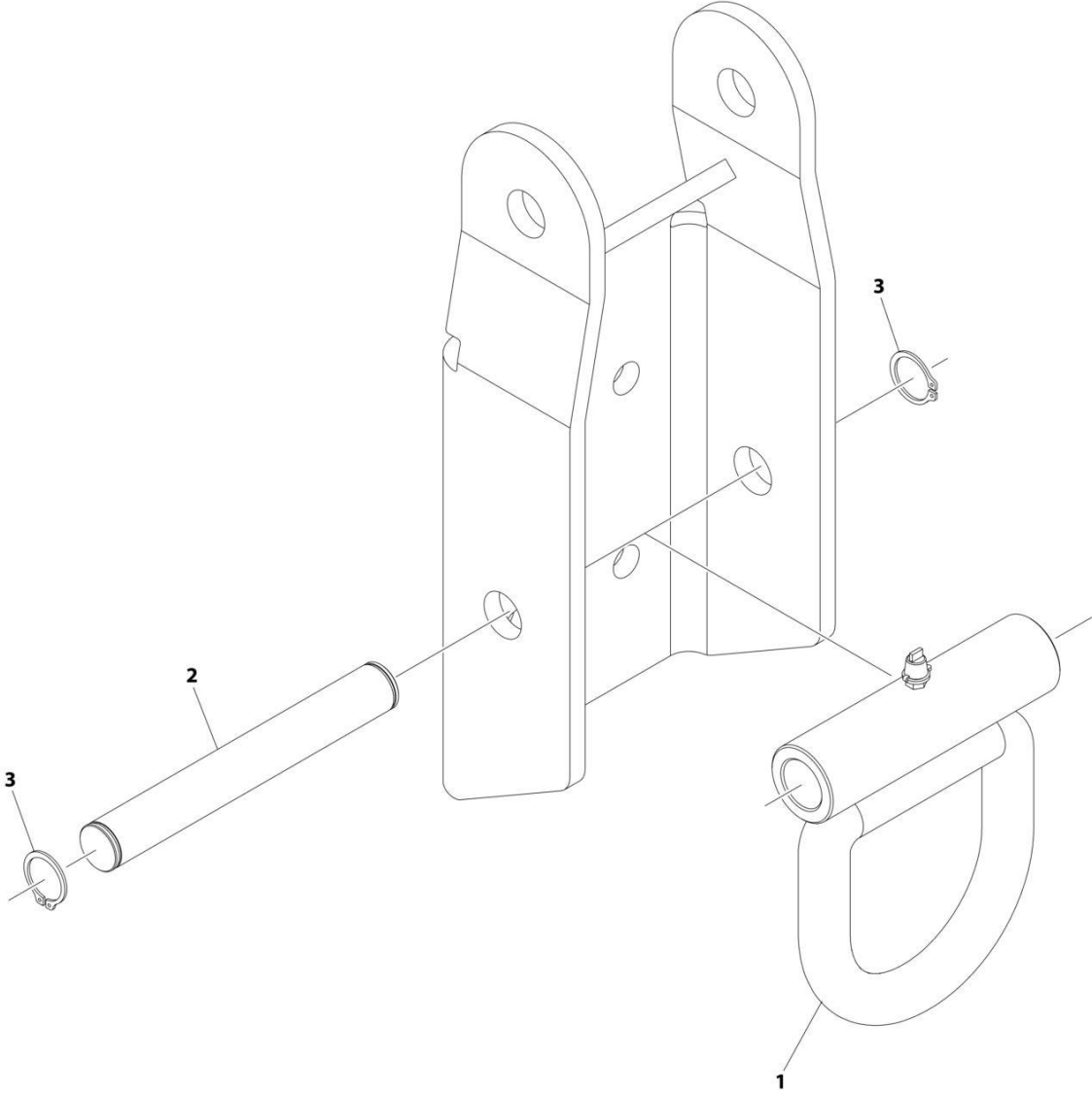
SECTION 9 - ACCESSORIES

FIGURE 9-4. D-RING INSTALLATION - NO TOW SLING

ITEM	PART NUMBER	QTY	DESCRIPTION	REV
	1001294036	Ref	D-RING INSTALLATION - NO TOW SLING	A
1	1001290225	2	Support	
2	3754000004	2	Ring	
3	4691000541	2	Pin	
4	7754000022	4	Ring, Retaining	

SECTION 9 - ACCESSORIES

FIGURE 9-5. D-RING INSTALLATION - WITH TOW SLING



ART_1001294038

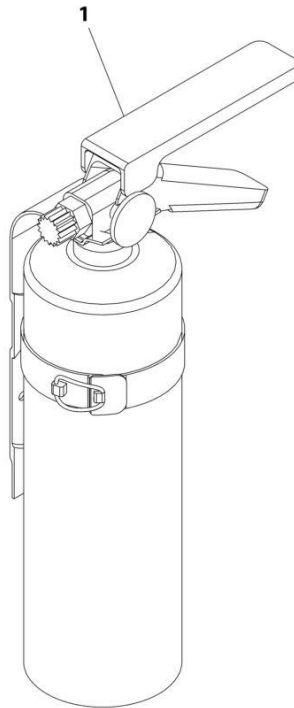
SECTION 9 - ACCESSORIES

FIGURE 9-5. D-RING INSTALLATION - WITH TOW SLING

ITEM	PART NUMBER	QTY	DESCRIPTION	REV
	1001294038	Ref	D-RING INSTALLATION - WITH TOW SLING	A
1	3754000004	2	Ring	
2	4691000541	2	Pin	
3	7754000022	4	Ring, Retaining	

SECTION 9 - ACCESSORIES

FIGURE 9-6. FIRE EXTINGUISHER



ART_2002000028

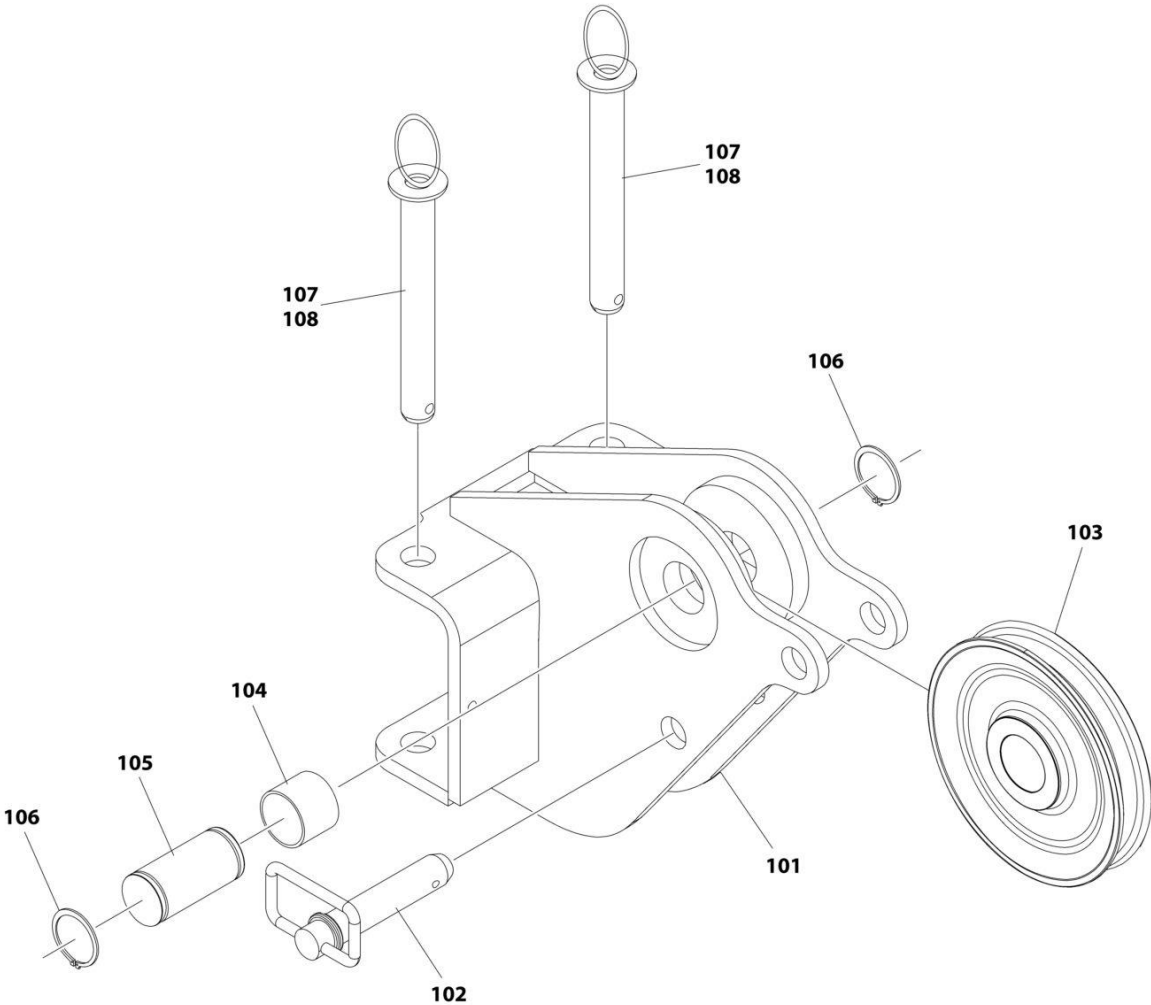
SECTION 9 - ACCESSORIES

FIGURE 9-6. FIRE EXTINGUISHER

ITEM	PART NUMBER	QTY	DESCRIPTION	REV
1	2002000028	Ref	Fire Extinguisher Accessory	0
	7002000404	1	Fire Extinguisher	

SECTION 9 - ACCESSORIES

FIGURE 9-7. LOW ANGLE RECOVERY SHEAVE



ART_2509610119

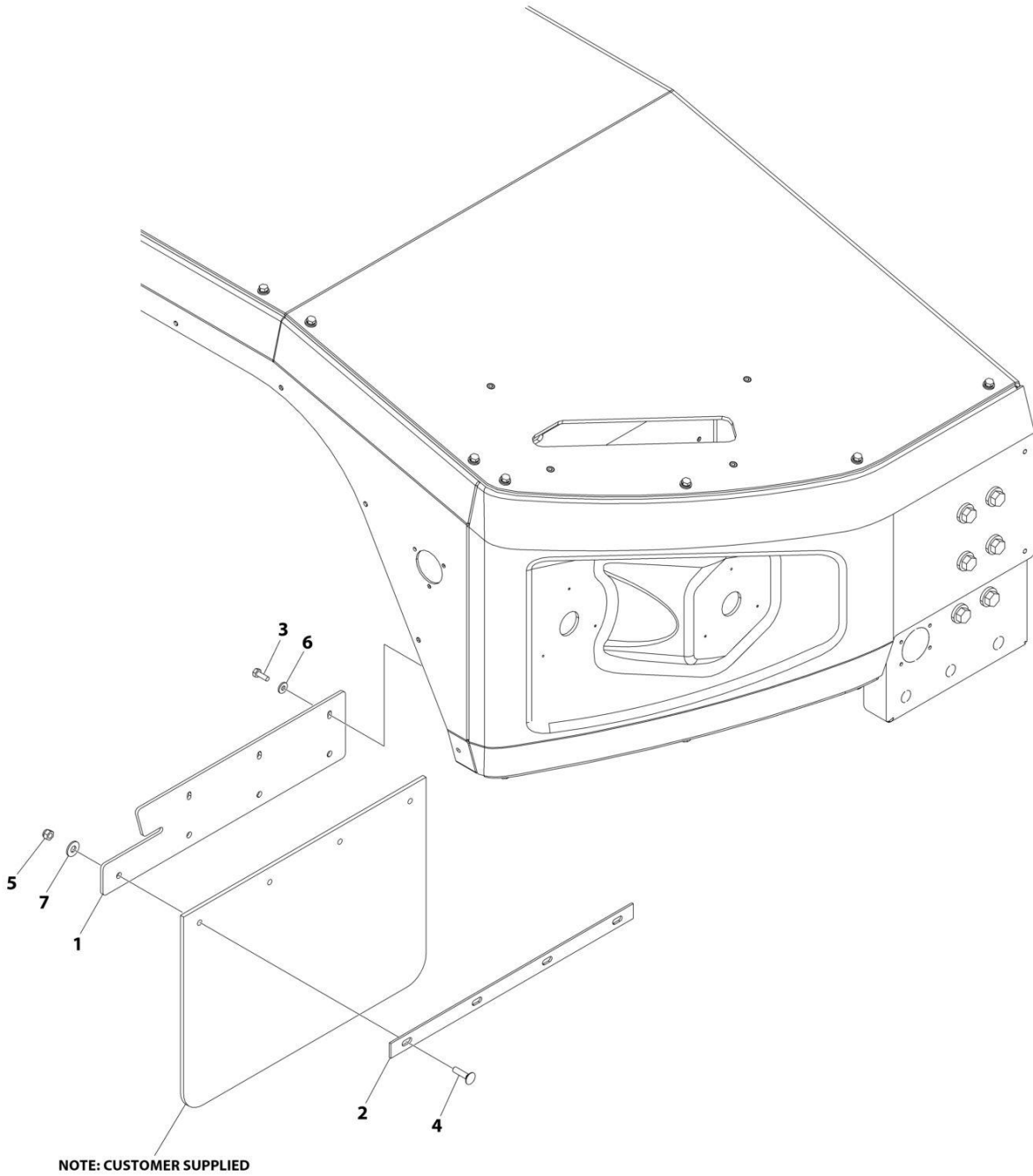
SECTION 9 - ACCESSORIES

FIGURE 9-7. LOW ANGLE RECOVERY SHEAVE

ITEM	PART NUMBER	QTY	DESCRIPTION	REV
	2509610119	Ref	RECOVERY SHEAVE INSTALLATION (LOW ANGLE)	A
1	3249000041	Ref	Sheave Assembly (Not Shown) (Includes Items 101-108)	
6	7330000725	1	Decal - Caution Lock-Out Valve (Not Shown)	
	3249000041	Ref	SHEAVE ASSEMBLY	B
101	3249000040	1	Sheave Weldment	
102	7691000053	1	Pin	
103	7809000013	1	Sheave	
104	7082000032	1	Bearing	
105	4691000572	1	Pin	
106	7754000006	2	Retaining Ring	
107	3691000195	2	Pin	
108	7691000027	2	Pin	

SECTION 9 - ACCESSORIES

FIGURE 9-8. MUDFLAPS INSTALLATION (CUSTOMER SUPPLIED)



ART_1001296064

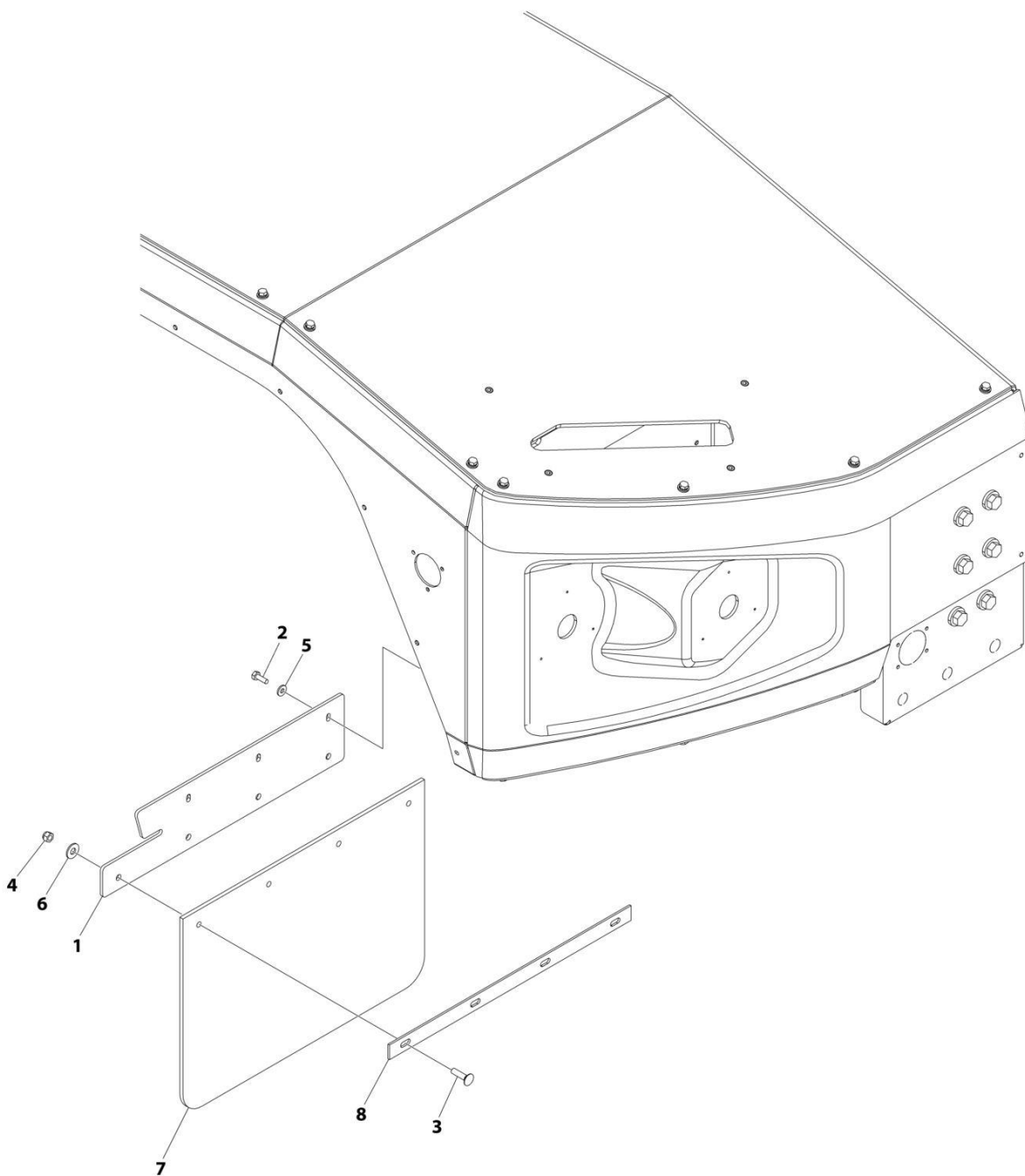
SECTION 9 - ACCESSORIES

FIGURE 9-8. MUDFLAPS INSTALLATION (CUSTOMER SUPPLIED)

ITEM	PART NUMBER	QTY	DESCRIPTION	REV
	1001296064	Ref	MUDFLAPS INSTALLATION	A
1	1001294772	2	Bracket	
2	4706001123	2	Plate	
3	7115140650	6	Bolt 1/4 x 3/4	
4	7115151064	8	Bolt 5/16 x 1-1/4	
5	7660152601	8	Nut 5/16	
6	7950140143	6	Washer 1/4	
7	7950150161	8	Washer 5/16	

SECTION 9 - ACCESSORIES

FIGURE 9-9. MUDFLAPS INSTALLATION (FACTORY SUPPLIED)



ART_1001294771

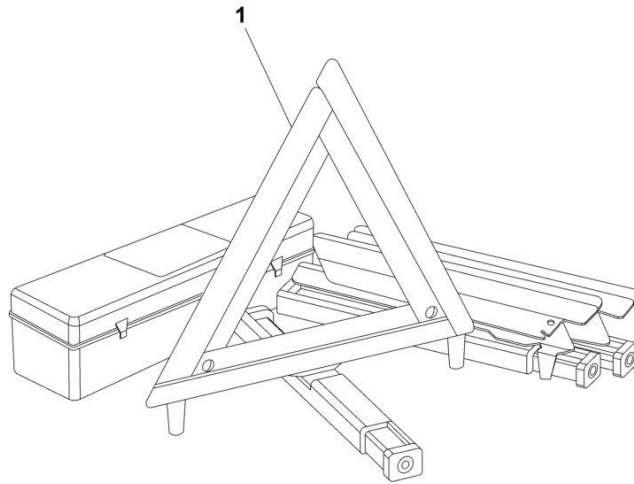
SECTION 9 - ACCESSORIES

FIGURE 9-9. MUDFLAPS INSTALLATION (FACTORY SUPPLIED)

ITEM	PART NUMBER	QTY	DESCRIPTION	REV
	1001294771	Ref	MUDFLAPS INSTALLATION	B
1	1001294772	2	Bracket	
2	7115140650	6	Bolt 1/4 x 3/4	
3	7115151064	8	Bolt 5/16 x 1-1/4	
4	7660152601	8	Nut 5/16	
5	7950140143	6	Washer 1/4	
6	7950150161	8	Washer 5/16	
7	7638000003	2	Mud Flap	
8	4706001123	2	Plate	

SECTION 9 - ACCESSORIES

FIGURE 9-10. SAFETY TRIANGLE KIT



ART_STK

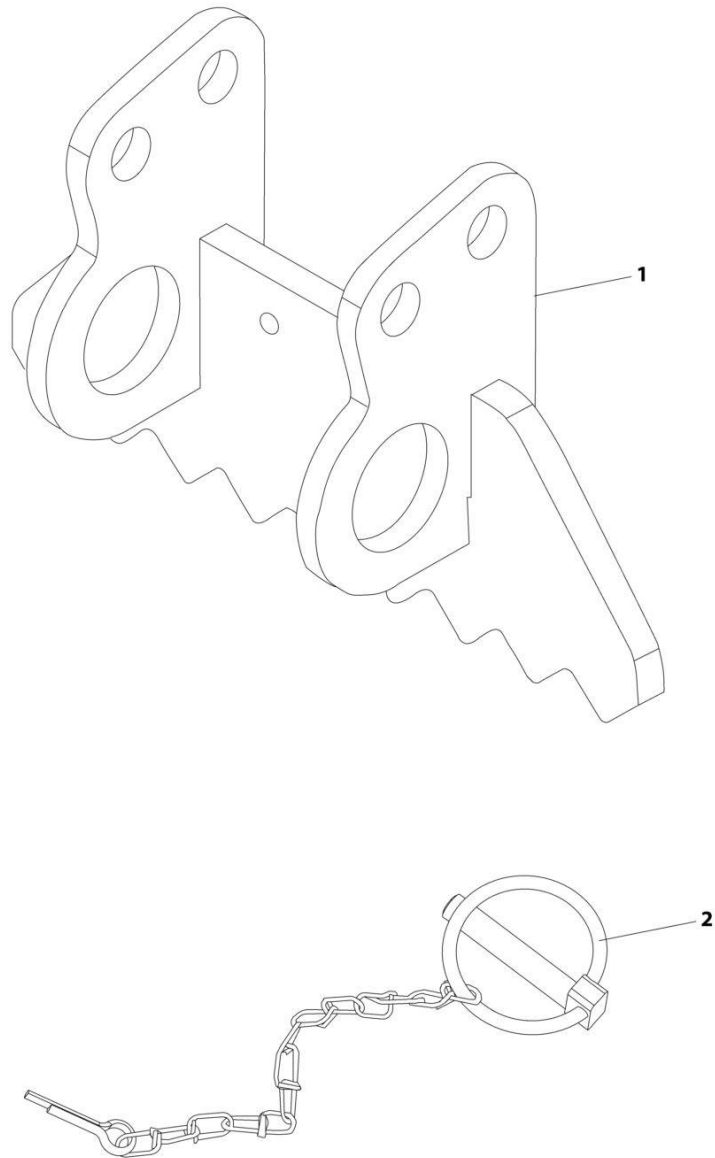
SECTION 9 - ACCESSORIES

FIGURE 9-10. SAFETY TRIANGLE KIT

ITEM	PART NUMBER	QTY	DESCRIPTION	REV
1	STK 7002000285	Ref 1	Safety Triangle Kit Reflective Triangles	0

SECTION 9 - ACCESSORIES

FIGURE 9-11. SPADE FOOT ATTACHMENT



ART_2577000038

SECTION 9 - ACCESSORIES

FIGURE 9-11. SPADE FOOT ATTACHMENT

ITEM	PART NUMBER	QTY	DESCRIPTION	REV
	2577000038	Ref	SPADE FOOT ATTACHMENT	0
1	3706000380	1	Plate	
2	7691000027	2	Pin	

SECTION 10 - BUILD DOCUMENTS

SECTION 10 - BUILD DOCUMENTS

FIGURE 10-1. BUILD DOC_5376000281

ITEM	PART NUMBER	QTY	DESCRIPTION	REV
	Note	Ref	Note: This list is for build tracking purposes only. Parts in this list are not available at this inventory stocking level. Parts in this list may not be applicable to all models. For more specific parts information contact Jerr-Dan Parts Department	
	1001291600	Ref	Body & Wiring Installation (With Fuel Filler)	
	1001291366	Ref	Body Wiring Installation (With Fuel Filler) (See Separate Breakdown in ELECTRICAL Section)	
	1001291602	Ref	Body Installation (With Fuel Filler) (See Separate Breakdown in BODY Section)	
	1001297200	Ref	Body & Wiring Installation (No Fuel Filler)	
	1001291366	Ref	Body Wiring Installation (No Fuel Filler) (See Separate Breakdown in ELECTRICAL Section)	
	1001297202	Ref	Body Installation (No Fuel Filler) (See Separate Breakdown in BODY Section)	
		Ref	PTO (Installation & replacement is based on individual characteristics of the unit - Contact Jerr-Dan Parts Dept.)	
	TP_REF	Ref	Pump (Installation & replacement is based on individual characteristics of the unit - Contact Jerr-Dan Parts Dept.)	
	1001268204	Ref	SWITCH PANEL - 3 FUNCTION PANEL (IN DASH COMPACT)	
	1001266075	Ref	SWITCH PANEL ASSEMBLY - 3 FUNCTON (IN DASH COMPACT) (See Separate Breakdown in ELECTRICAL Section)	
	1001129883	Ref	Breaker Installation - 50 Amp (See Separate Breakdown in ELECTRICAL Section)	
	1001268202	Ref	SWITCH PANEL - 3 FUNCTION PANEL (UNDER DASH COMPACT)	
	1001266355	Ref	SWITCH PANEL ASSEMBLY - 3 FUNCTON (UNDER DASH COMPACT) (See Separate Breakdown in ELECTRICAL Section)	
	1001129883	Ref	Breaker Installation - 50 Amp (See Separate Breakdown in ELECTRICAL Section)	
	1001268208	Ref	SWITCH PANEL - 5 FUNCTION PANEL (IN DASH COMPACT)	
	1001266357	Ref	SWITCH PANEL ASSEMBLY - 5 FUNCTON (IN DASH COMPACT) (See Separate Breakdown in ELECTRICAL Section)	
	1001129883	Ref	Breaker Installation - 50 Amp (See Separate Breakdown in ELECTRICAL Section)	
	1001288206	Ref	SWITCH PANEL - 5 FUNCTION PANEL (UNDER DASH COMPACT)	
	1001266359	Ref	SWITCH PANEL ASSEMBLY - 5 FUNCTON (UNDER DASH COMPACT) (See Separate Breakdown in ELECTRICAL Section)	
	1001129883	Ref	Breaker Installation - 50 Amp (See Separate Breakdown in ELECTRICAL Section)	
	1001299370	Ref	Ship-Out Stand for Kits Models	
	1001296162	Ref	WINCHES INSTALL 8K	
	2500900643	Ref	CABLE TENSIONER INSTALLATION (See Separate Breakdown in BOOM Section)	
	2509900044	Ref	WINCH INSTALLATION - DUAL (See Separate Breakdown in BOOM Section)	
	3509900060	Ref	WINCH HANDLE INSTALLATION - DUAL (See Separate Breakdown in BOOM Section)	
	1001299582	Ref	TUNNEL & ELECTRICAL INSTALLATION - Single	
	1001291367	Ref	TUNNEL ELECTRICAL INSTALLATION - SINGLE	
	1001291066	Ref	TUNNEL HARNESS (See Separate Breakdown in ELECTRICAL Section)	
	1001293172	Ref	TUNNEL INSTALLATION (See Separate Breakdown in BODY Section)	

SECTION 10 - BUILD DOCUMENTS

ITEM	PART NUMBER	QTY	DESCRIPTION	REV
	1001296065	Ref	TUNNEL & ELECTRICAL INSTALLATION - DUAL	
	1001297261	Ref	TUNNEL ELECTRICAL INSTALLATION - DUAL	
	1001291066	Ref	TUNNEL HARNESS (See Separate Breakdown in ELECTRICAL Section)	
	1001293172	Ref	TUNNEL INSTALLATION (See Separate Breakdown in BODY Section)	

PART NUMBER INDEX

SECTION 10 - BUILD DOCUMENTS

0100011.....83, 219, 235, 237, 239, 241, 243, 269	1001127387 15	1001194362 49, 51	1001231801.....301
0100048.... 131, 145, 147, 219, 259	1001127388 15	1001194369 77, 91, 93	1001241869.....306
0641406.....87	1001129412 83	1001194370 53, 55	1001247139.....235, 239, 257
0641407.....23, 27, 31, 35	1001129413 83	1001194421 261	1001249095.....261
0641408.....19	1001129882 225	1001196264 49	1001249938.....127, 129, 131
0641410.....219	1001129883 225, 330	1001196322 49	1001250685.....281
0641416.....87	1001130043 157, 166	1001196383 53	1001250809.....145, 147
0641510.....23, 27, 57	1001131106 145, 147	1001196508 91	1001253353.....145, 147
0641516....23, 27, 31, 35, 157, 165	1001131306 157, 165	1001196510 95	1001253354.....145, 147
0641608.....57	1001131323 169	1001197407 227	1001253355.....145, 147
0641610....39, 41, 43, 45, 139	1001132346 301	1001197476 259	1001254044.....281, 283
0641612.....57, 71, 207	1001132509 301	1001199081 139, 219	1001255482....39, 41, 43, 45
0641808.....49	1001132605 197	1001199475 237, 241, 253	1001255484.....217
0641809....23, 27, 31, 35	1001132608 199	1001201384 145, 147	1001255485.....217
0641810....235, 239, 243	1001132613 201	1001201994 227, 293	1001255628.....223
0641813.....109, 111	1001132617 203	1001204776 49, 95, 97	1001255844.....39, 43
0641814.....133	1001132633 179	1001205239 303	1001255854.....39, 43
0641818.....109, 111	1001132634 181	1001205604 87	1001255901.....227
0641824.....139	1001132642 171, 189	1001206159 57	1001255943....39, 41, 43, 45
0641826.....139	1001132643 183	1001206161 57	1001255944....39, 41, 43, 45
0642014.....57	1001132647 185	1001206171 57	1001256168.....39, 43
0651606.....57	1001132794 171, 173, 175, 177, 179, 181, 183, 185, 187, 189, 191, 193, 195, 197, 199, 201, 203	1001207171 227	1001256172.....241
0681608.....269	1001132800 189, 191, 193, 197, 199, 201, 203	1001207921 301, 303	1001256226....39, 41, 43, 45
0681610.....49	1001132848 191	1001207976 97	1001256269....39, 41, 43, 45
0681816....15, 17, 19, 23, 27, 31, 35, 39, 41, 43, 45	1001137519 237	1001208611 71	1001256789.....43, 45
0682014.....91, 93	1001137904 87	1001208612 71	1001256825.....187
0701019.....23	1001142771 127, 129, 131	1001208613 71	1001258796.....309, 311
0701024.....23	1001142974 213	1001209026 303	1001258797.....309
0760305.....145, 147	1001143686 127, 129, 131	1001209218 303	1001259576.....235
0760306.....145	1001144147 229	1001213134 157, 165	1001262106.....239
0962224.....77	1001152707 53, 95, 97	1001220073 23, 31	1001262745.....229
0962272.....49, 51, 55	1001153944 83	1001220074 23, 31	1001265004.....239
1001095650....57, 91, 93, 95, 97	1001153945 83	1001220078 27, 35	1001265976.....235
1001100949227	1001153946 83	1001220181 215	1001266106.....239
1001104498221	1001153947 83	1001220280 87	1001262745.....229
1001107854221	1001153950 83	1001220359 139	1001265004.....239
1001110544.....145, 147	1001153971 83	1001220832 23	1001265468.....93
1001112058.....83	1001154530 139, 219	1001220833 ... 23, 27, 31, 35	1001265470.....93, 97
1001116723.....227	1001155141 95, 97	1001220909 23, 27	1001265479.....83
1001116727.....227, 261, 273, 281	1001160779 17, 19	1001221001 23, 27	1001266075.....277, 330
1001116729.....227, 281	1001160831 17, 19	1001221065 23	1001266357.....285, 330
1001116749.....223, 227	1001160835 19	1001221075 ... 23, 27, 31, 35	1001266359.....287, 330
1001116751.....221, 223, 227, 231, 265, 295	1001160919 19	1001221138 ... 23, 27, 31, 35	1001266884.....291
1001116763.....223	1001160988 17	1001221232 23, 27	1001267332.....281
1001116815.....229	1001166707 261	1001221345 23, 31	1001267711.....289
1001117026.....281	1001167667 261	1001221348 27, 35	1001267981.....283
1001118384.....229	1001174496 145, 147	1001221375 291	1001268202.....330
1001119004.....223	1001179025 59	1001221651 ... 23, 24, 27, 31, 35, 39, 43	1001268204.....330
1001119106.....221	1001181889 67	1001221652 ... 24, 27, 31, 35, 39, 43	1001268208.....330
1001119754.....223	1001183579 71, 73	1001221653 ... 24, 27, 31, 35, 39, 43	1001270927.....83
1001119755.....221	1001185808 87	1001222132 23, 27	1001270928.....83
1001121727227	1001187078 227	1001221345 23, 31	1001271130.....83
1001125295.....261	1001188590 141	1001221348 27, 35	1001271968.....297
1001126008229	1001189077 223, 227	1001221375 291	1001271970.....297
1001127220.....301	1001189906 139, 219	1001221651 ... 23, 24, 27, 31, 35	1001273600.....213
1001127340.....15	1001190322 261	1001225063 263	1001273634.....247, 249
1001127341.....15	1001191714 49	1001225068 263	1001274244.....293
1001127342.....15	1001191716 49	1001225217 263, 291	1001274434.....157, 165
	1001191717 91, 93	1001226317 263	1001275791.....231, 265
	1001191718 91, 93	1001230127 267	1001277282.....231, 265, 295
			1001282025.....23, 31
			1001282026.....23, 31

SECTION 10 - BUILD DOCUMENTS

1001287947 145, 147, 261	1001294149..... 107	1001297200..... 330	1001301470 125
1001287948 145, 147, 229	1001294150..... 105	1001297202..... 111, 330	1001301471 125
1001288044 261, 297	1001294151..... 105	1001297203..... 111, 119	1001301473 125
1001288045 261, 297	1001294152..... 103	1001297205..... 119	1001301573 101
1001288206 330	1001294153..... 103	1001297225..... 269	1001301574 105
1001288449 231, 265, 295	1001294154..... 101	1001297236..... 137	1001301575 103
1001288450 231, 265, 295	1001294155..... 101	1001297237..... 135	1001301576 107
1001288453 231, 265	1001294282..... 127, 129	1001297261..... 331	1001301578 113
1001288454 223, 227, 231, 265, 295	1001294381..... 141	1001297465..... 23, 31	1001301579 115
1001288455 231, 265	1001294672..... 149	1001297526..... 27, 35	1001301604 117, 119, 121
1001288456 231, 265, 295	1001294771..... 323	1001297527..... 17	1001301605 117, 119, 121
1001288457 231, 265	1001294772..... 321, 323	1001297528..... 19	1001301606 117, 119, 121
1001288566 221, 223, 227, 295	1001294871..... 157, 165, 169	1001297529..... 39, 41, 43, 45	1001301812 245
1001290224 13	1001294914..... 249	1001297530..... 17	1001302038 83
1001290225 313	1001295009..... 233	1001297531..... 19	1001302047 83
1001290326 306	1001295047..... 233	1001297534..... 23	1001302048 83
1001291050 219, 227	1001295084..... 149	1001297535..... 27	1001302054 113
1001291064 219, 221	1001295120..... 133	1001297536..... 31	1001302055 115
1001291065 219, 223	1001295121..... 133	1001297537..... 35	2002000028 317
1001291066 295, 330, 331	1001295181..... 13	1001297540..... 39	2002000031 267
1001291067 131, 231	1001295185..... 13	1001297541..... 41	2178000048 89
1001291186 207, 209	1001295294..... 233	1001297542..... 43	2178000062 ... 17, 19, 24, 27, 31, 35
1001291188 145, 147	1001295697..... 101, 103, 105, 107	1001297543..... 45	2220239 157, 165
1001291366 219, 330	1001295699..... 101, 103, 105, 107	1001297994..... 141	2220371 157, 165
1001291367 330	1001296059..... 157	1001298068..... 15	2220374 157, 165
1001291368 131	1001296064..... 321	1001298346..... 117, 119	2220415 87, 157, 165
1001291505 117	1001296065..... 331	1001298348..... 121	2220473 157, 165
1001291506 117, 119	1001296066..... 247	1001298350..... 117, 119, 121	2220497 ... 157, 165, 169
1001291507 117, 119	1001296069..... 15, 17, 19, 23, 27, 31, 35, 39, 41, 43, 45	1001298621 219	2220501 157, 165
1001291513 121	1001296070..... 157	1001298632..... 141	2220582 157, 165
1001291514 121	1001296097..... 165	1001298692..... 259, 297	2220671 157, 165
1001291515 121	1001296098..... 165	1001298693..... 259	2220819 157, 165
1001291600 330	1001296109..... 87	1001299045..... 109, 111	2220899 157, 165
1001291602 109, 330	1001296110..... 87, 169	1001299208..... 271	2500900643 69, 330
1001291603 109, 117	1001296162..... 330	1001299301..... 271	2509610119 319
1001291604 117, 119	1001296178..... 195	1001299370..... 330	2509650093 205
1001291611 109, 111, 121	1001296179..... 197	1001299389..... 261	2509900044 57, 330
1001291612 121	1001296180..... 199	1001299438..... 145, 147, 149	2570000157 17, 19
1001291641 123	1001296181..... 201	1001299519..... 127, 129, 265	2570000171 ... 24, 27, 31, 35
1001291650 131	1001296182..... 203	1001299582..... 330	2577000038 327
1001291680 123	1001296183..... 191	1001299584..... 127, 129	2870000012 275
1001293172 139, 330, 331	1001296184..... 189	1001300043..... 145, 147	2900733 65
1001293173 139, 141	1001296185..... 181	1001300045..... 145	3017000002 69
1001293174 141	1001296186..... 183	1001300046..... 145	3017000003 69
1001293214 141	1001296187..... 185	1001300047..... 147	3020000124 87
1001293218 141	1001296188..... 187	1001300048..... 147	3020000125 87
1001293466 133	1001296189..... 187	1001300166..... 139	3020029 ... 57, 83, 87, 303
1001293707 141	1001296215..... 207	1001300167..... 139	3020039 ... 49, 53, 57, 71, 83, 87, 91, 93, 95, 97
1001294036 313	1001296490..... 147	1001300458..... 145	3170000345 53
1001294037 71	1001296491..... 145	1001300459..... 269, 271	3170000346 95, 97
1001294038 315	1001296519..... 135, 137	1001300989..... 109, 111	3178000419 57
1001294039 71	1001296520..... 135	1001300990..... 109, 111	3178000507 89
1001294075 127	1001296521..... 137	1001301353..... 243	3249000040 319
1001294076 129	1001296521..... 137	1001301354..... 243	3249000041 319
1001294077 127	1001296935..... 193	1001301355..... 243	3271405 19
1001294078 129	1001296963..... 193	1001301373..... 293	3271505 87
1001294148 107	1001297005..... 173	1001301375..... 293	3271605 ... 39, 41, 43, 45, 49
	1001297006..... 175	1001301462..... 125	3271805 ... 15, 17, 19, 23, 27, 31, 35, 39, 41, 43, 45, 49
	1001297007..... 177	1001301464..... 125	
	1001297008..... 179	1001301465..... 125	
	1001297106..... 301	1001301466..... 125	
	1001297109..... 131, 133	1001301467..... 125	
	1001297111..... 171	1001301469..... 125	
	1001297178..... 269		

SECTION 10 - BUILD DOCUMENTS

3272005.....	91, 93	4460475 ...	149, 221, 231, 261, 265, 273	4619000013	87	7002000285.....	325
3290305.....	145	4460518	229	4636000041	139	7002000404.....	317
3311401.....	23, 27, 31, 35	4460608	223, 227, 295	4679000046	95, 97	7002000521.....	267
3311508.....	141	4460742 ...	221, 223, 231, 261, 265	4679000213	95, 97	7002107.....	65
3311605.....	207	4460743	261, 297	4679000237	53	7002110.....	65
3311801.....	23, 27, 31, 35	4460789 ...	221, 223, 227, 281	4679000238	53	7002111.....	65
3340898.....	139	4460836	229	4679000278	53	7002117.....	65
3509530061	169	4460844	261	4691000027	53	7002123.....	65
3509870046	169	4460884	221, 223	4691000186	83	70050169.....	253
3509900060.....	59, 330	4460891 ...	221, 223, 231, 265, 295	4691000198	83, 87	70050170.....	253
3587000007	59	4460897 ...	221, 223, 231, 265, 295	4691000307	95, 97	70050174.....	253
3587000008	59	4460930	229	4691000308	95, 97	70050175.....	253
3592000051	87	4460931	261	4691000541	313, 315	70050176.....	253
3592000052	87	4460933	229, 273	4691000572	319	70050178.....	253
3619000001	169	4460934	229	4706001123	321, 323	70050179.....	253
3691000195.....	89, 319	4460935	229	4706003402	259	70050180.....	253
3691000229.....	87	4460970	261	4706003497	87	70050181.....	253
3691000230.....	87	4460979	261, 297	4706003501	169	70050203.....	253
3706000099	69	4461054	261	4706003844	171, 173, 175, 177, 179, 181, 183, 185, 187, 189, 191, 193, 195, 197, 199, 201, 203	70050204.....	253
3706000380	327	4461118	221, 223	4706004066	169	70050207.....	254
3750000061	205	4461157 ...	221, 231, 265	4706004067	169	70050208.....	254
3754000004.....	313, 315	4461216	229	4706005792	141	70050209.....	254
3760115.....	95, 97	4461217	229	4706005869	139	70050210.....	254
3760351.....	87	4533000415 ...	17, 19, 24, 28, 31, 35, 39, 41, 43, 45	4706005904	15	70050211.....	254
3841143.....	49, 57	4551000005	59	4706005906	15	70050632.....	81
3841258.....	91, 93	4564088	217	4706006442 ...	15, 17, 19, 23, 27, 31, 35	70050633.....	81
3941506.....	24, 28, 32, 36, 39, 41, 43, 45	4567011018	166	4711400 ...	19, 23, 27, 31, 35, 87, 219	70050634.....	81
4017001502.....	95, 97	4567110024	157, 166	4711600	57, 207, 269	70050635.....	81
4062000541	57	4567110025	157, 166	4711800 ...	15, 17, 19, 23, 24, 27, 31, 35, 39, 41, 43, 45, 133	70050636.....	81
4064000052	83, 87	4567120016	157, 165	4712000	57	70050637.....	81
4090000011	109, 111	4567120060	157, 165	4751500 ...	23, 27, 31, 35, 57, 95, 97, 157, 165	70050638.....	81
4090000013	83	4567122023	157, 165	4751600	71	70050639.....	81
4178000166	59	4567123029	157, 165	4761400	87	70050640.....	81
4178000167	59	4567130155	195	4761500	95, 97	70050641.....	81
4178000402.....	237, 249	4567130179	197	4761600	57, 309	70050642.....	81
4178000427	275	4567130185	199	4763000184	83	70050643.....	81
4178000437	241	4567130205	201	4811001194 ...	15, 23, 27, 31, 35	70050644.....	81
4178000707	149	4567130212	203	4812000	23	70050665.....	253
4178000709	149	4567132196	181	4812000107	139	70051021.....	253
4178000721	137	4567132226	183, 185	4812000108	139	70051022.....	253
4240033.....	219	4567132249	187	4812000142 ...	15, 17, 19	70051023.....	253
4254000005	83	4567630135	173	4831000095	83, 87	70051026.....	253
4330000001	141	4567630166	175, 177	4891600	57	70051027.....	253
4346000005.....	225, 275, 277, 279, 281, 283, 289, 291, 293	4567630190	179	4891800	109, 111	70051028.....	253
4420002.....	219	4567630212	189	4892000007	301	70051029.....	253
4460018.....	277, 279, 285, 287	4567630219	171	4949000047	83, 87	70051030.....	253
4460035.....	277, 279, 285, 287	4567630241	191	4949000050	91, 93	70051035.....	253
4460042.....	277, 279, 285, 287	4567630270	193	5376000192	263	70051036.....	253
4460234.....	219	4569120017	157, 165	5525000537	213	70051039.....	253
4460457.....	221, 223, 227, 231, 265, 273, 297	4569120018	157, 165	5526000553 ...	17, 19, 23, 24, 27, 28, 31, 35, 149, 157, 165, 171, 173, 175, 177, 179, 181, 183, 185, 187, 189, 191, 193, 195, 197, 199, 201, 203, 215, 217, 279, 287	70051044.....	253
4460458.....	221, 223, 231, 261, 265, 273, 297	4570000210	169			70051045.....	253
4460460.....	227	4570000211	169			70051048.....	253
4460464.....	221, 223, 229, 245, 261, 295	4570000212	169			70051049.....	253
4460465.....	221, 223, 229, 231, 265, 273, 295	4570000229	169			70051053.....	253
4460466.....	221, 223, 229, 231, 261, 265, 273, 295	4570000321	175			70051055.....	253
		4570000326	177			70051056.....	254
		4570000328	173			70051057.....	254
		4570000364	157, 166			70051058.....	253
		4570000373	195			70051059.....	253
						70051060.....	253
						70051061.....	253
						70051062.....	253
						70051063.....	253
						70051064.....	253
						70051065.....	253
						70051066.....	253
						70051068.....	253

SECTION 10 - BUILD DOCUMENTS

70051069 253	70052448 311	7115151050....24, 28, 32,	7280000018..... 213, 215,
70051070 253	70052449 311	36, 39, 41, 43, 45, 171,	217
70051071 253	70052450 311	173, 175, 177, 179,	7295000131 259
70051072 253	70052572 311	181, 183, 185, 187,	7320000064 81, 87
70051073 253	70052600 311	189, 191, 193, 195,	7320000077 79, 95, 97
70051074 253	70052605 311	197, 199, 201, 203	7330000036 83, 87
70051075 253	70052606 311	7115151064..... 189, 191,	7330000122 301
70051076 253	70054727 311	193, 195, 197, 199,	7330000138 301
70051077 253	70070000 257	201, 203, 321, 323	7330000143 301
70051078 253	70070001 257	7115160650.....125	7330000288 275, 277,
70051326 77	70070002 257	7115160950.....125	279, 285, 287
70051576 73	70070003 257	7115161050....17, 19, 24,	7330000424 89
70051577 73	70070028 65	28, 31, 35, 59, 69, 117,	7330000428 141
70051578 73	70070029 65	119, 121, 125	7330000546 301
70051579 73	70070030 65	7115161064.....71	7330000553 83
70051580 73	70070143 209	7115181050.....237, 241	7330000599 83, 87
70051581 73	70070144 209	7115181064.....205, 269,	7330000609 83, 87
70051582 73	70070145 209	271	7330000725 319
70051583 73	70070147 209	7115181450.....109, 111,	7345001710 275
70051584 73	70070148 209	131	7345001714 263, 281,
70051585 73	70070149 209	7115181650.....109, 111,	283, 289, 291
70051586 73	70070150 209	127, 129	7345001910 275
70051587 73	70070160 209	7115181864.....139	7345001914 213, 263,
70051588 73	7009974 65	7115223806.....71	275, 281, 283, 289, 291
70051589 73	7009975 65	7120000034.....213, 215,	7345221702 263
70051590 73	7009992 65	217, 225, 275	7345221902 213, 225
70051591 73	7009997 65	7189000019.....169	7346000039 213, 263
70051592 73	7011000006.....219	7189000023.....243	7346000126 275
70051593 73	7027336 81	7209000030.....95, 97	7346000242 277, 279,
70051615 55	7027338 81	7248000140.....67	285, 287
70051617 55	7027341 81	7253000002....57, 83, 87,	7430000003 157, 165
70051618 55	7029088 209	303	7440030000 83
70051619 55	7082000026.....81	7262000010.....71	7443000013 195, 197,
70051620 55	7082000032.....319	7262000040.....49	199, 201, 203
70051621 51	7082000043.....95, 97	7274000002.....171, 173,	7443000066 157, 165
70051622 51	7104150624.....95, 97	175, 177, 179, 181,	7443000105 157, 165
70051623 51	7114060810.....217	183, 185, 187, 189,	7443000319 157, 165
70051624 51	7114100518.....149, 243,	191, 193, 195, 197,	7443000372 157, 165
70051625 51	267	199, 201, 203	7443000412 171, 173,
70051628 77	7114100618.....141, 233	7274000005....24, 28, 31,	175, 177, 179, 181,
70051629 77	7114100810.....17, 19	32, 35, 36, 39, 41, 43,	183, 185, 187, 189,
70051630 77	7114100818.....149, 269	45	191, 193
70051631 77	7114101018.....271	7274000039.....87	7443000446 157, 165
70051645 311	7114140427.....169	7274000040.....171, 173,	7443000483 ... 24, 28, 32,
70051647 311	7114140518.....127, 129,	175, 177, 179, 181,	36
70051648 311	131	183, 185, 187, 189,	7445040445 169
70051649 311	7114140618.....141, 157,	191, 193, 195, 197,	7445060698 165
70051650 311	165, 169	199, 201, 203	7449000019 ... 17, 19, 24,
70051653 311	7114140650.....101, 103,	7274000041.....157, 165	27, 31, 35
70051660 79	105, 107, 117, 119,	7274000042....39, 41, 43,	7457000004 225
70051661 79	121, 125, 219	45, 171, 173, 175, 177,	7457000015 275
70051662 79	711414085083, 125, 137,	179, 181, 183, 185,	7470000002 157, 165
70051663 79	145, 147	187, 189, 191, 193,	7493000003 219, 249
70051664 79	7114141018.....243	195, 197, 199, 201, 203	7493000010 127, 129,
70051920 311	7114141450.....145, 147	7274000071....24, 28, 32,	131
70051929 311	7114161050.....309	35	7493000015 245
70051947 311	7115140650.....123, 321,	7274000073.....169	7493000016 127, 129
70051950 311	323	7274000076....24, 28, 32,	7493000030 219
70051951 311	7115140850.....169	35, 39, 41, 43, 45, 171,	7552000367 149
70051953 311	7115150850.....171, 173,	173, 175, 177, 179,	7552000368 149
70052164 311	175, 177, 179, 181,	181, 183, 185, 187,	7552000384 269, 273
70052165 311	183, 185, 187, 189,	189, 191, 193, 195,	7570000017 ... 24, 28, 31,
70052166 311	191, 193	197, 199, 201, 203	35
70052167 311	7115150864.....171, 173,	7274000080.....157, 165	7570000036 17, 19
70052168 311	175, 177, 179, 181,	7274000086.....87	7570000037 ... 17, 19, 24,
70052169 311	183, 185, 187, 189,	7274000105....24, 28, 32,	28, 31, 35, 39, 41, 43,
70052426 311	191, 193	36, 219	45

SECTION 10 - BUILD DOCUMENTS

7577000194.....	219	7691000040	169	7912000078	158, 166	7950180000.....	243
7577000367.....	87	7691000042	169	7912000184	87	7950180150.....	243
7577000622.....	157, 166	7691000053	71, 319	7912000200	158, 166	7950180153.....	109, 111, 139, 205, 269, 271
7577000629.....	169	7701000051	57, 127, 129	7912000201	158, 166	7950180161..	59, 69, 127, 129, 131
7585000001.....	243	7701000063	109, 111	7912000202	169	7950180400.....	57
7590000316.....	245	7719000004	169	7912000203	158, 166	7970000103.....	57, 61
7592000004.....	169	7754000005	57	7912000204	157	7970000104.....	57, 63
76051644.....	311	7754000006	53, 319	7912000205	157	7990000011.....	59
7626000014.....	57, 65	7754000022	313, 315	7912000324	165	80234009.....	65
7636000005.....	139	7754000024	83, 87	7912000330	165	80963058.....	149
7638000003.....	323	7754000056	95, 97	7912000346	169	80963067.....	221, 223
7660062604.....	217	7759000004	301	7912000347	169	80983191.....	227
7660102604..	17, 19, 141, 149, 233, 243, 269, 271	7785152420 ...	24, 28, 32, 36, 39, 41, 43, 45, 171, 173, 175, 177, 179, 181, 183, 185, 187, 189, 191, 193, 195, 197, 199, 201, 203	7935000308	157, 165	8220051.....	261
7660140001.....	219	7785161274	95, 97	7935000345	165	8220099.....	227, 231, 265, 295
7660142601	83, 125, 137	7786000009	83, 87	7935000358	165	8220100.....	231, 265, 295
7660142604.....	141, 145, 147, 169, 219, 243	7790142051	245, 267	7949000013	139	8220101.....	295
7660152601 ...	23, 24, 27, 28, 31, 32, 35, 36, 39, 41, 43, 45, 57, 157, 165, 171, 173, 175, 177, 179, 181, 183, 185, 187, 189, 191, 193, 195, 197, 199, 201, 203, 321, 323	7790151253	249	7949000015	109, 111	8220124.....	221, 223, 227, 295
7660160001.....	269	7796000078	139	7950100003	149	8220159.....	227
7660162301	139, 169	7796000100 ...	17, 19, 24, 27, 31, 35	7950100103	141, 149	8220904.....	229
7660162601 ...	17, 19, 24, 28, 31, 35, 57, 59, 69, 71, 125	7809000001	57	7950100143	269, 271	8220934.....	231, 265, 295
7660180030.....	59	7809000013.....	319	7950100151 ...	17, 19, 24, 27, 31, 35, 225, 233	8220935.....	227, 295
7660182301	139	7819000013.....	171, 173, 175, 177, 179, 181, 183, 185, 187, 189, 191, 193	7950100163	149	8411080091.....	87
7660182601 69, 109, 111, 127, 129, 205, 235, 237, 239, 241, 243, 269, 271		7843000004.....	69	7950140003	101, 103, 105, 107, 117, 119, 121, 123, 125, 137, 145, 147, 157, 165, 219	8565000007.....	157, 165, 171, 173, 175, 177, 179, 181, 183, 185, 187, 189, 191, 193, 195, 197, 199, 201, 203
7660202601.....	57, 71	7843000006.....	83	7950140143 83, 101, 103, 105, 107, 117, 119, 121, 123, 125, 137, 141, 145, 147, 157, 165, 169, 219, 243, 321, 323		85941016.....	125
7661000019.....	127, 129, 131	7843000010.....	59	7950150161 ...	24, 28, 32, 36, 39, 41, 43, 45, 69, 171, 173, 175, 177, 179, 181, 183, 185, 187, 189, 191, 193, 195, 197, 199, 201, 203, 321, 323	8632000002..	57, 71, 109, 111
7661000029.....	125	7843000031	169	7950160000	117, 119, 121, 125	8632000012.....	125
7661000056.....	267	7843000037	83, 87	7950160141 ...	17, 19, 24, 28, 31, 35	8798820001.....	127, 129, 219
7661000064 87, 117, 119, 121		7870000083	275	7950160143	125	88671008.57, 83, 87, 303	
7690000810.....	243	7870000100	277	7950160161	117, 119, 121	8892040001.....	263
7690051641.....	59	7870000106	285	7950160162	59	8977010103.....	281
7690102041	59	7870000134	279	7950160163	309	91364009.....	149
7690144800.....	243	7870000137	287			9935930102.....	157, 165
7691000027. 89, 319, 327		7894000004 ...	39, 41, 43, 45, 127, 129, 131, 145, 147, 219, 259, 269, 271			STK.....	325
		7894000010	213			TP_REF.....	330
		7894000034	83				
		7894000042	145, 147, 149, 219				
		7912000028.....	158, 166				

JERR-DAN[®]

***Corporate Office
13224 Fountainhead Plaza
Hagerstown, MD 21742 USA***

***☎ (717) 597-7111 (Corporate)
☎ (800) 926-9666 (Customer Support)***

***Visit our website
www.jerrdan.com***



OSHKOSH™