

25 Ton Heavy Duty Wrecker PARTS MANUAL

SN 0230005335 TO PRESENT

JERR-DAN[®]

An Oshkosh Corporation Company

13224 Fountainhead Plaza
Hagerstown, MD 21742
Phone (717) 597-7111
www.jerr-dan.com

5-376-000205
Rev 0 - November 1, 2017

© 2017 Jerr-Dan Corporation. All Rights Reserved

This manual covers the following Jerr-Dan Models:

25 Ton Heavy Duty Wrecker

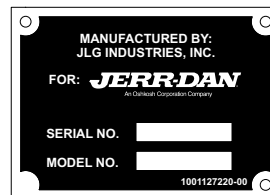
Jerr-Dan Corporation strives to provide information that is accurate, complete and useful. Descriptions and illustrative material contained within this manual are as accurate as known at the time of publication and are subject to change, without notice, as a result of continuous product improvements. Jerr-Dan reserves the right to amend the information in this document at any time without prior notice.

Information contained in this manual reflects how this vehicle was built at the factory. Modifications or additions by the distributor or owner are not reflected in this manual.

This parts manual does not include service parts information for the commercial chassis (IHC, Ford, GM, etc.).

That information is provided by the chassis manufacturer.

When ordering parts, please refer to your unit's Serial Number and Model Number. This information is be found on the aluminum tag riveted to the inside of the driver's side rear compartment of the main body.



Additional or replacement manuals can be ordered by calling Jerr-Dan Parts at 717-597-7111.

Price and availability will be quoted at time of the request.

Please report comments and/or errors by contacting Jerr-Dan Corporation's Technical Publications Department by e-mail at technicalpublications@jerr-dan.com or by FAX on 717-485-7162.

Manufactured under one or more of the following patents: 5,575,606; 5,672,042; 5,697,741; 5,713,714; 5,722,810; 5,782,596; 5,839,775 and 6,315,515 B1 with other Patents Pending.

Jerr-Dan and the Jerr-Dan logo are registered trademarks and Run Hard is a service mark of Jerr-Dan Corporation, Hagerstown, MD USA.

The material in this document is confidential and the property of Jerr-Dan Corporation. No part of this document may be photocopied,

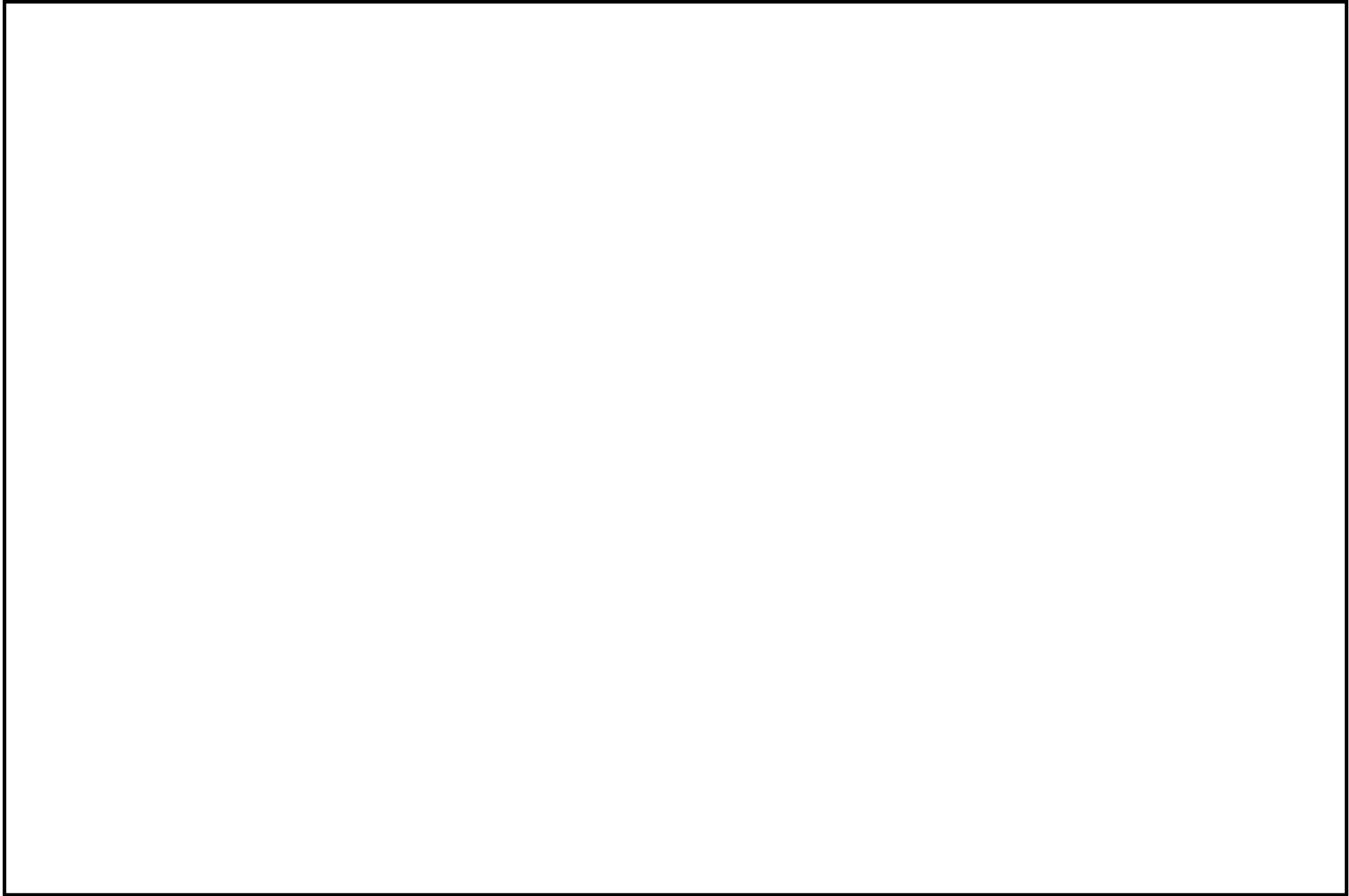
Reproduced or translated to another language without the express written consent of Jerr-Dan Corporation.

TABLE OF CONTENTS

Hydraulic Tubing Installation.....	8	49" Toolbox Installation.....	110
Subframe Installation.....	10	49" Toolbox Diamond Plate Installation.....	112
Rear Spade Installation.....	12	49" Toolbox Harness Installation.....	114
Spade Cylinder Assembly - 7320000006.....	14	37" Toolbox Installation.....	116
Rear Spade Tubing.....	16	37" Toolbox Diamond Plate Installation.....	118
Hydraulic Tank Installation.....	18	37" Toolbox Harness Installation.....	120
Hydraulic Tank Assembly.....	20	Toolbox Installation - 51" w/ Batteries and Counter Weight.....	122
Wrecker Boom Installation.....	22	Toolbox Installation - 51" w/ Batteries and Counter Weight.....	124
Winch Installation.....	24	Toolbox Installation - 51" w/ Batteries and Counter Weight.....	126
DP Winch 25K - Motor End Installation.....	26	51" Toolbox Battery Cover Installation.....	128
DP Winch 25K - Motor End Installation.....	40	Door Installation - 51" and 49" Tunnel Toolbox.....	130
Underlift Installation.....	54	Door Installation - 51" and 49" Tunnel Toolbox.....	132
Underlift Assembly.....	56	Door Installation - 39" and 37" Tunnel Toolbox.....	134
Underlift Extension Cylinder Assembly - 7320000034.....	58	Door Installation - 39" and 37" Tunnel Toolbox.....	136
Underlift Tilt Cylinder - 7320000036.....	60	Control Installation - 8 Section - 3 Solenoid.....	138
Underlift Installation.....	62	Control Valve Assembly - 1001193527.....	142
Underlift Assembly - 3170000220 - 35,000 LB (Standard).....	64	Valve Assembly - 7935000293.....	144
Underlift Extension Cylinder Assembly - 7320000042.....	66	Control Installation - 8 Section - 6 Solenoid.....	146
Crosstube Installation.....	68	Control Valve Assembly - 1001193527.....	150
Underlift Tools - Frame Forks.....	70	Valve Assembly - 7935000330.....	152
Crosstube Installation.....	72	Multiplex Installation.....	154
Body Door Installation.....	74	Winch Air Installation.....	156
Body Door Installation.....	76	E-Stop Installation.....	158
Fender Installation - Tandem.....	78	Wireless Remote Installation.....	160
Grab Handle Installation.....	80	Wireless Remote Installation.....	162
Step Installation.....	82	Power Take Off - CS Series.....	164
Mudflap Installation - Tandem.....	84	Power Take Off - SH Series.....	166
Diamond Plate Installation.....	86	Hydraulic Lines and Fittings Installation.....	168
Compartment Light Installation - Tandem.....	88	Supply Pressure and Return Installation - 186-241 WB.....	172
Marker Light Installation.....	90	Supply Pressure and Return Installation - 242-281 WB.....	174
Toolbox Installation - 51" w/ Batteries.....	92	Supply Pressure and Return Installation - 282-321 WB.....	176
49" Toolbox Marker Light Installation.....	94	Supply Pressure and Return Installation - 322-361 WB.....	178
49" Toolbox Compartment Light Installation.....	96	Supply Pressure and Return Installation - 362-401 WB.....	180
Toolbox Assembly - 51" Battery Cover.....	98	Driver Side Gauge Installation.....	182
51" Toolbox Harness Installation.....	100	Trailer Plug Installation.....	184
Toolbox Installation - 39" w/ Batteries.....	102	Trailer Air Installation.....	186
39" Toolbox Compartment Lights Installation.....	104	Rear Tail Plate Installation.....	188
39" Toolbox marker Light Installation.....	106	Tunnel Toolbox Diamond Plate Installation.....	190
39" Toolbox Battery Cover Installation.....	108	Tunnel Toolbox Diamond Plate Installation.....	192

TABLE OF CONTENTS

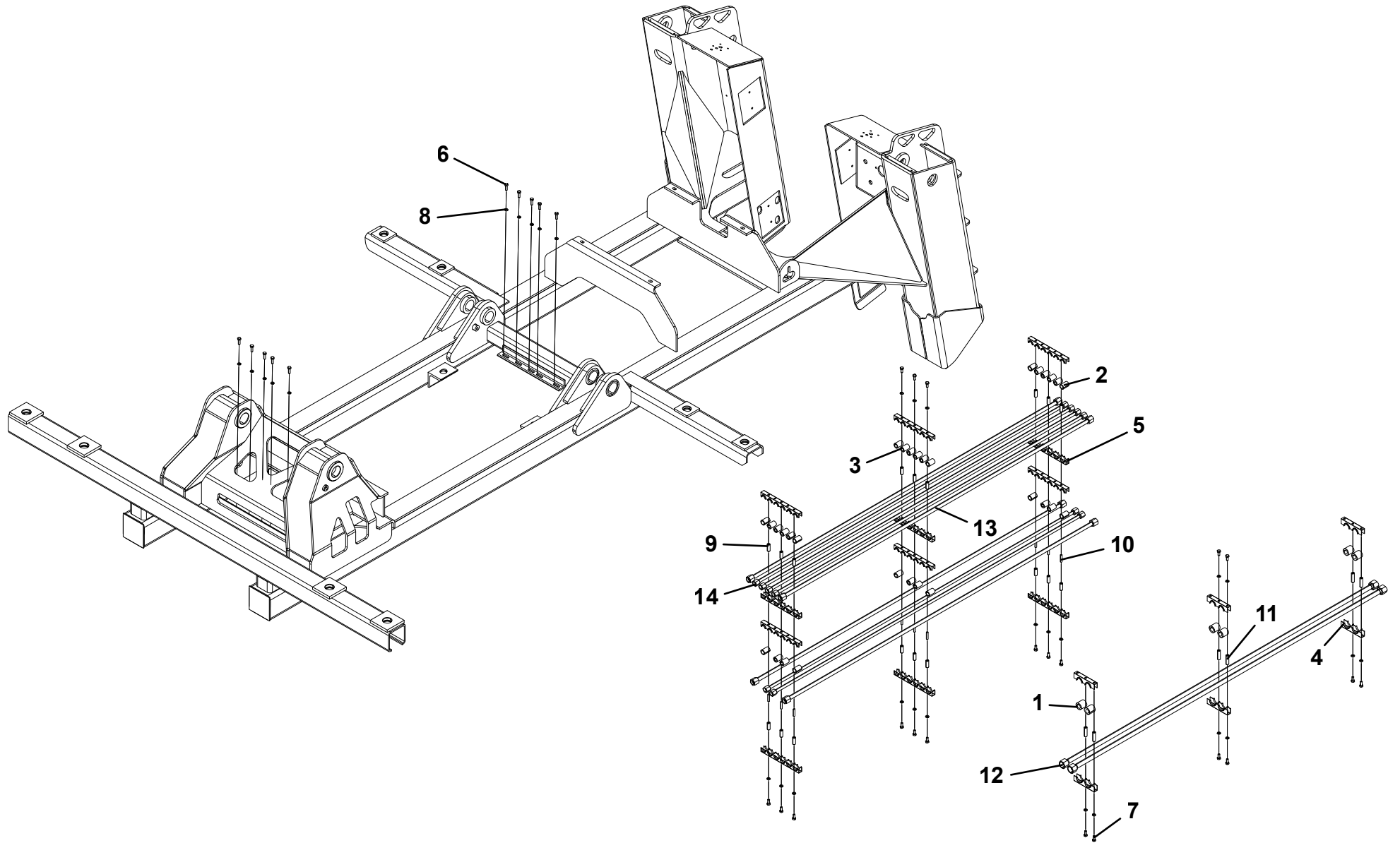
Tunnel Toolbox Diamond Plate Installation.....	194	Flasher Light Installation.....	278
Tunnel Toolbox Diamond Plate Installation.....	196	Underlift Tools - 14,000 Lb Tire Lift.....	280
Tunnel Toolbox Diamond Plate Installation.....	198	Underlift Tools - 5th Wheel Installation.....	282
Tunnel Toolbox Diamond Plate Installation.....	200	Underlift Tools - Pintle Hook.....	284
Decal Installation.....	204	Battery Relocation Installation.....	286
Body Wiring Installation.....	206	Auxiliary Air Installation.....	288
Center Wiring Harness Installation.....	210	Wireless Remote Holder Installation.....	290
Center Wiring Harness Installation.....	212	Snatch Block Storage Installation - Tandem.....	292
Center Wiring Harness Installation.....	214	Rotary Chain Storage Installation.....	294
Backup Alarm Installation.....	216	Tire Lift Storage - 51" and 49" Toolbox.....	296
Backup Alarm Installation - Variable.....	218	Tire Lift Storage - 39" and 37" Toolbox.....	298
Pylon Adapter Installation - 51in Toolbox.....	220	Tool Drawer Installation.....	300
Pylon Adapter Installation - 39in Toolbox.....	222	Tool Drawer Installation - Tandem.....	302
Pylon Installation - 34in.....	224	Fifth Wheel Storage Installation.....	304
Pylon Light Installation.....	226	Frame Fork Storage Installation.....	306
Pylon Harness Installation.....	228	Frame Fork Storage Installation.....	308
Pylon Cover Plate Installation.....	230		
Pylon Installation - 39in.....	232		
Pylon Cover Plates Installation.....	234		
Pylon Installation - 57in.....	236		
Pylon Harness Installation.....	238		
Pylon Cover Plate Installation.....	240		
Cab Mounted Light Bar.....	242		
72" Whelen Light Bar.....	244		
Pylon Dress Up Cover Plate Installation.....	246		
Pylon Dress Up Cover Plate Installation.....	248		
Pylon Dress Up Cover Plate Installation.....	250		
Pylon Dress Up Cover Plate Installation.....	252		
Pylon Dress Up Cover Plate Installation.....	254		
Pylon Dress Up Cover Plate Installation.....	256		
Wing Light Bracket Installation.....	258		
Lightbar - Code 3 - 1001136990.....	260		
Light Bar Installation.....	262		
Lightbar - Whelen - 1001199475.....	264		
Light Bar Installation.....	268		
Lightbar - Code 3 - 1001152815.....	270		
Wing Light Installation.....	272		
ECCO Light Bar - 1001133591.....	274		
22" Whelen Light Bar - 1001199478.....	276		



HYDRAULIC TUBING INSTALLATION

ITEM	PART NO.	DESCRIPTION	QTY
1	7209000032	Bushing	6
2	7209000024	Bushing	12
3	7209000023	Bushing	18
4	7274000049	Clamp	3
5	7274000030	Clamp	6
6	7115150850	Capscrew, 0.31" - 18NC x 1.00"	10
7	7115150650	Capscrew, 0.31" - 18NC x 0.75"	20
8	7950150000	Washer, 0.31" ID	30
9	7661000022	Nut, 0.31" - 18NC	18
10	7007000036	Adapter	9
11	7661000027	Stacking Nut	6
12	7912000109	Tubing Assembly	2
13	7912000036	Tubing Assembly	4
14	7912000035	Tubing Assembly	6

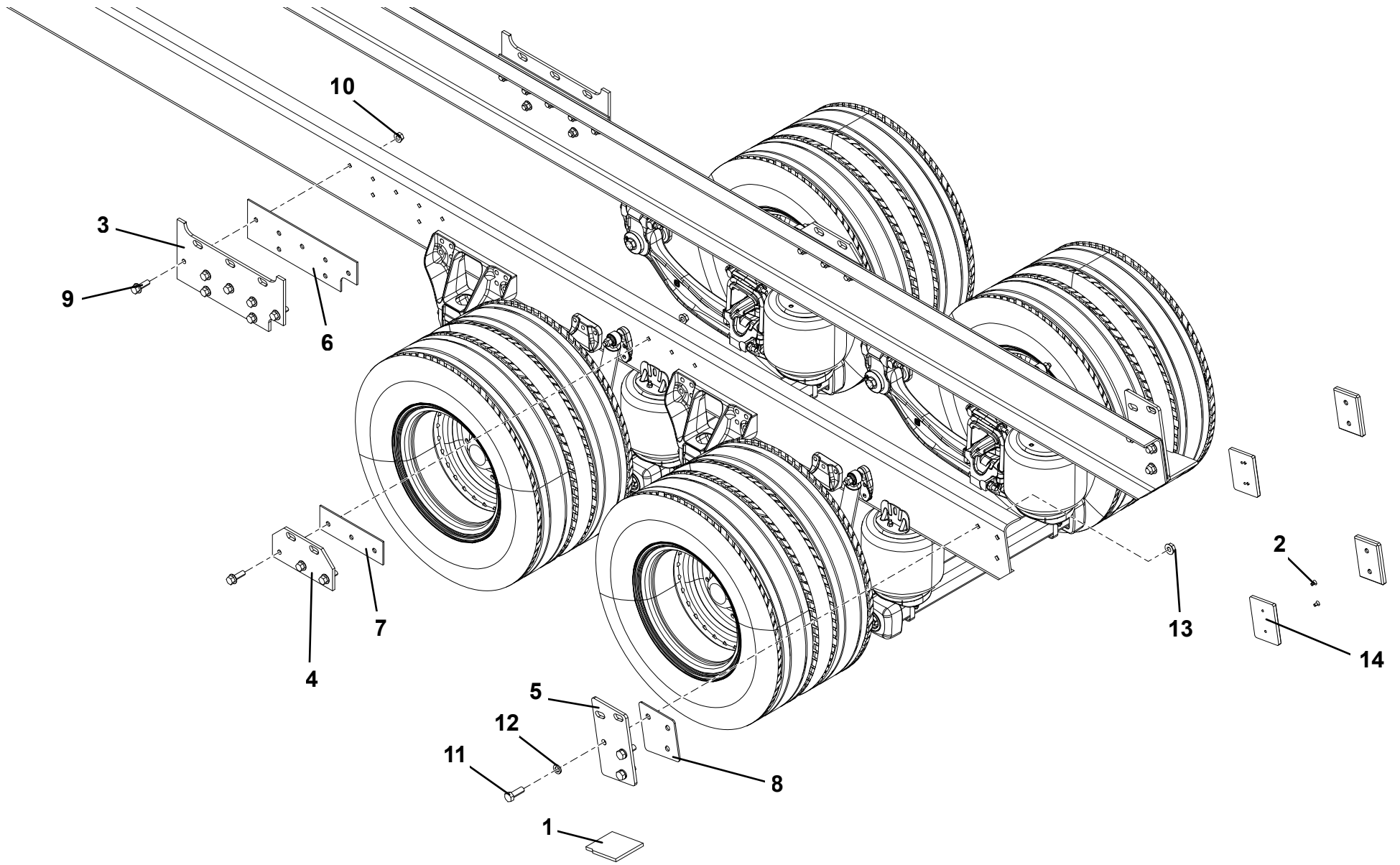
HYDRAULIC TUBING INSTALLATION



SUBFRAME INSTALLATION

ITEM	PART NO.	DESCRIPTION	QTY
1	4706002557	Plate	2
2	0741606	Screw, 0.38" - 16NC x 0.75"	8
3	1001186312	Plate	2
4	1001144730	Plate	2
5	4706002554	Plate	2
6	1001144959	Shim	2
7	1001144985	Shim	2
8	4706002142	Shim	2
9	7118221816	Capscrew, 0.75" - 10NC x 2.25"	20
10	7660222308	Locknut, 0.75" - 10NC	20
11	7118242050	Capscrew, 0.88" - 9NC x 2.50"	6
12	4892400	Washer, 0.88" ID	6
13	7660242308	Locknut, 0.88" - 9NC	6
14	4679000127	Pad	4

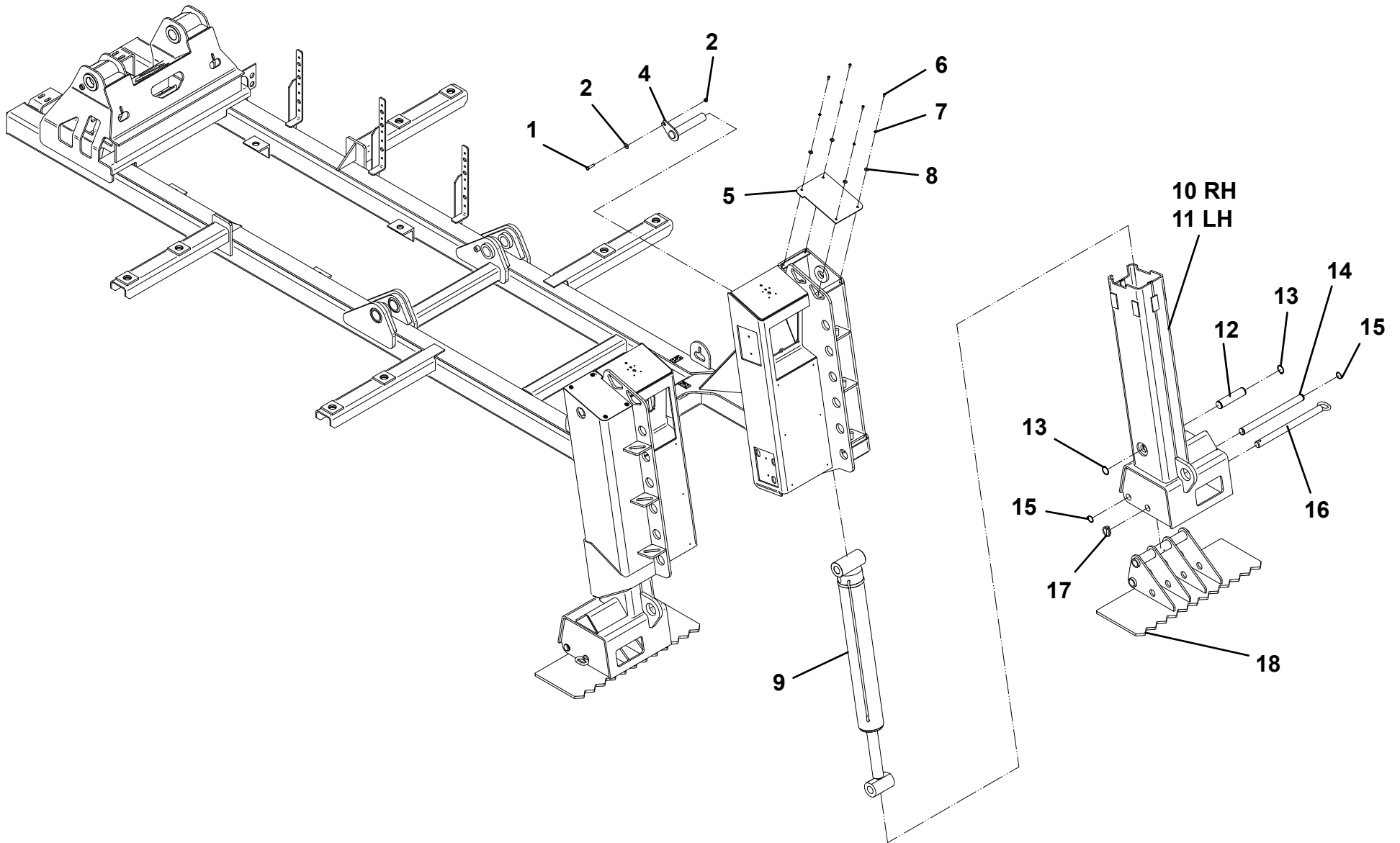
SUBFRAME INSTALLATION



REAR SPADE INSTALLATION

ITEM	PART NO.	DESCRIPTION	QTY
1	7115161250	Capscrew, 0.38"-16NC x 1.50"	2
2	7950160161	Flatwasher, 0.38" ID	2
3	7660162601	Locknut, 0.38"-16NC	2
4	3691000139	Pin	2
5	4706003714	Plate	2
6	7114140518	Capscrew, 0.25"-20NC x 0.62"	8
7	7949000025	Lockwasher, 11mm x 6.4mm	8
8	7950140153	Flatwasher, 0.25" ID	8
9	7320000006	Spade Cylinder	2
10	3263000068	Spade , RH	1
11	3263000067	Spade, LH	1
12	4691000207	Pin	2
13	7754000033	Retaining Ring	4
14	4691000200	Pin	2
15	7754000008	Retaining Ring	4
16	3691000126	Pin	2
17	7691000019	Lynch Pin	2
18	1001190040	Spade Foot	2

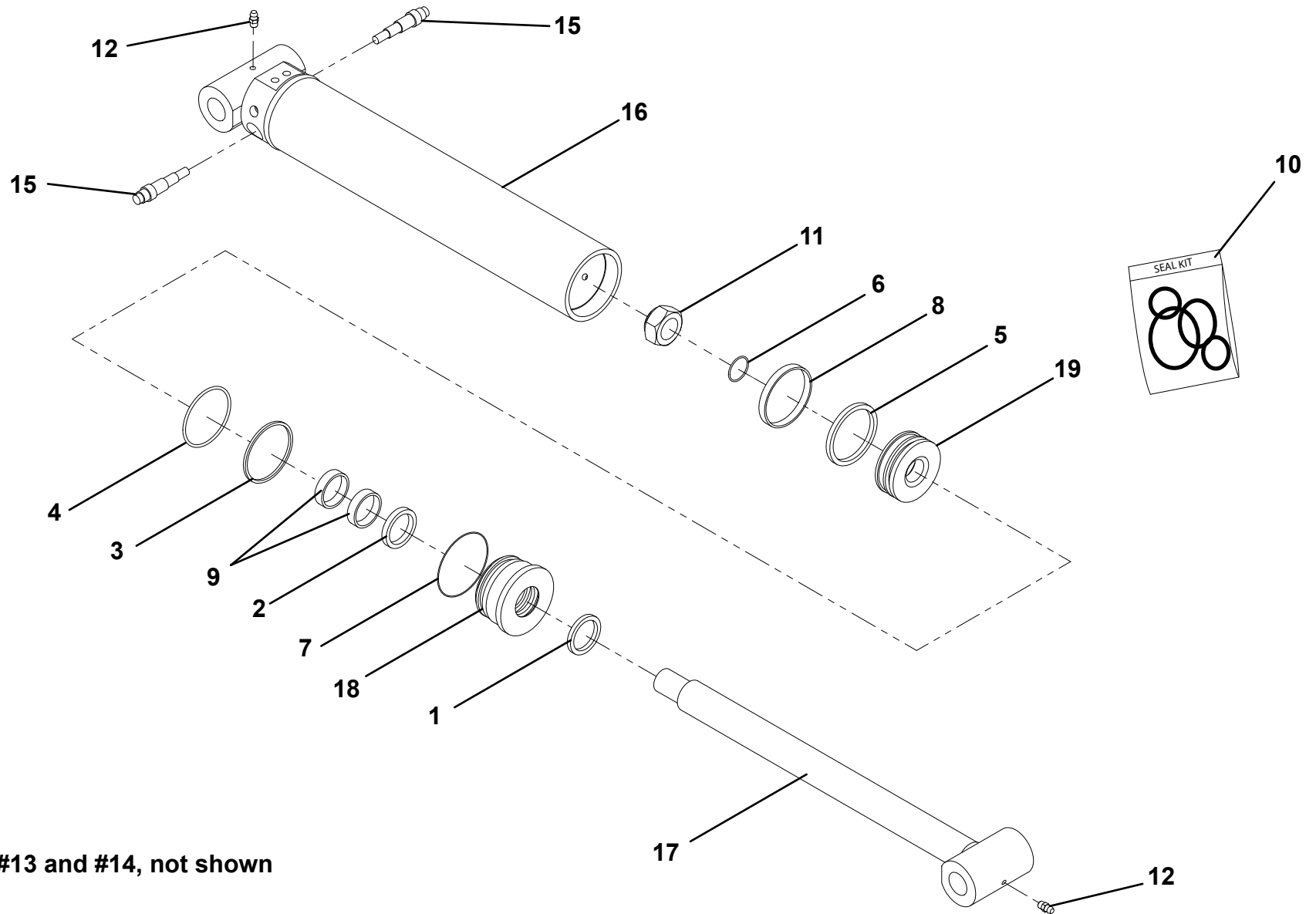
REAR SPADE INSTALLATION



SPADE CYLINDER ASSEMBLY - 7320000006

ITEM	PART NO.	DESCRIPTION	QTY
1	9796250080	Seal, Wiper	1
2	7019828	Seal	1
3	9754250009	Ring, Back-up	1
4	9796250057	Seal, "O" Ring	1
5	9796250073	Seal	1
6	9796250061	Seal, "O" Ring	1
7	9796250066	Seal, "O" Ring	1
8	9724250014	Ring, Wear	1
9	9754250015	Ring, Wear	2
10	7577000167	Kit, Seal	1
11	7003212	Locknut	1
12	7005322	Grease Fitting	2
13	7005365	Plug, Port	2
14	70021648	Plug, Port	2
15	70050215	Valve, Counterbalance	2
16	9912250004	Assembly, Tube	1
17	9763250009	Assembly, Rod	1
18	9553250009	Head	1
19	70050531	Piston	1

SPADE CYLINDER ASSEMBLY - 732000006

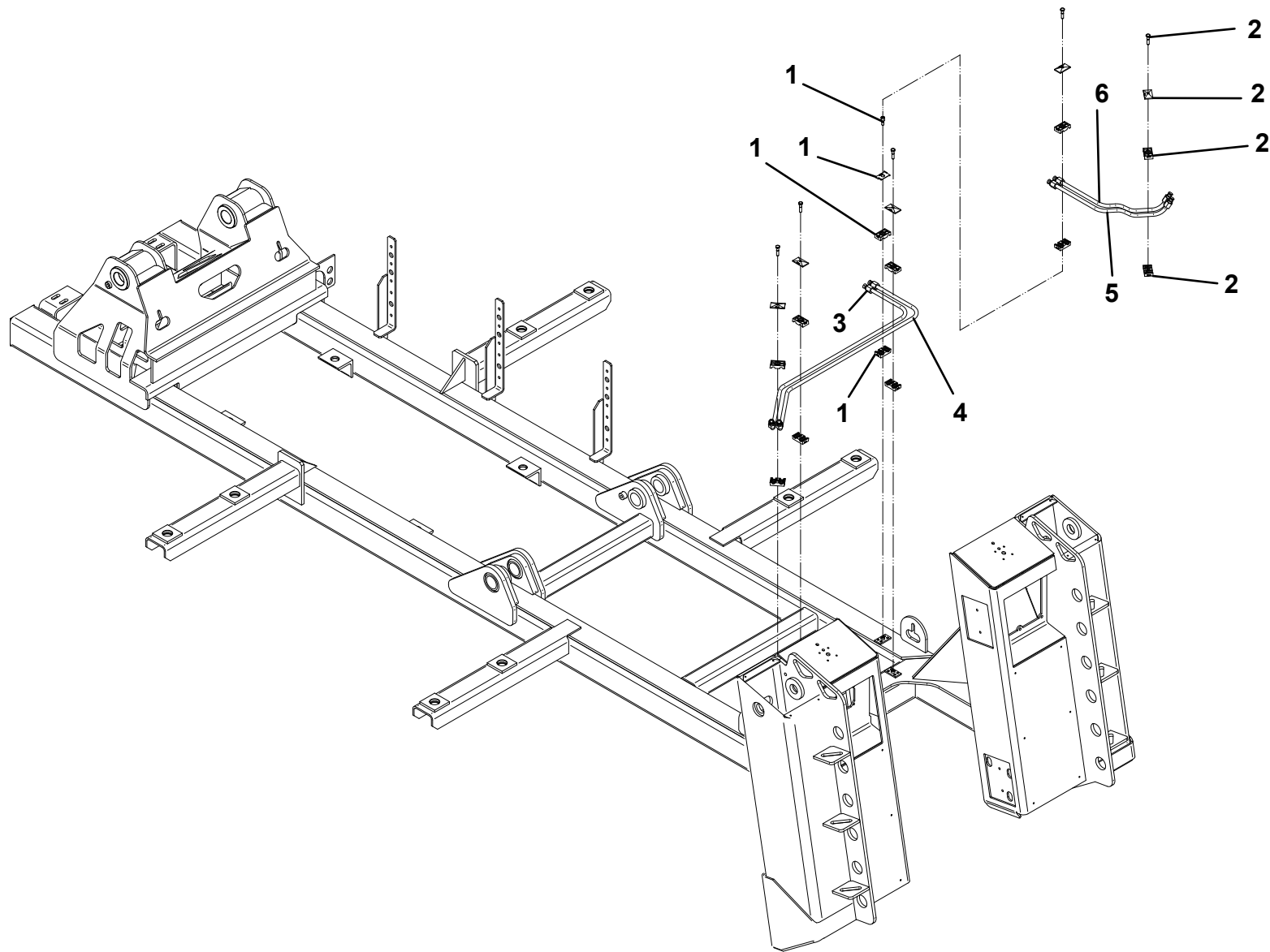


Items #13 and #14, not shown

REAR SPADE TUBING

ITEM	PART NO.	DESCRIPTION	QTY
1	1001137487	Clamp	1
2	1001136447	Clamp	5
3	7912000119	Tube Assembly	1
4	7912000120	Tube Assembly	1
5	7912000121	Tube Assembly	1
6	7912000122	Tube Assembly	1

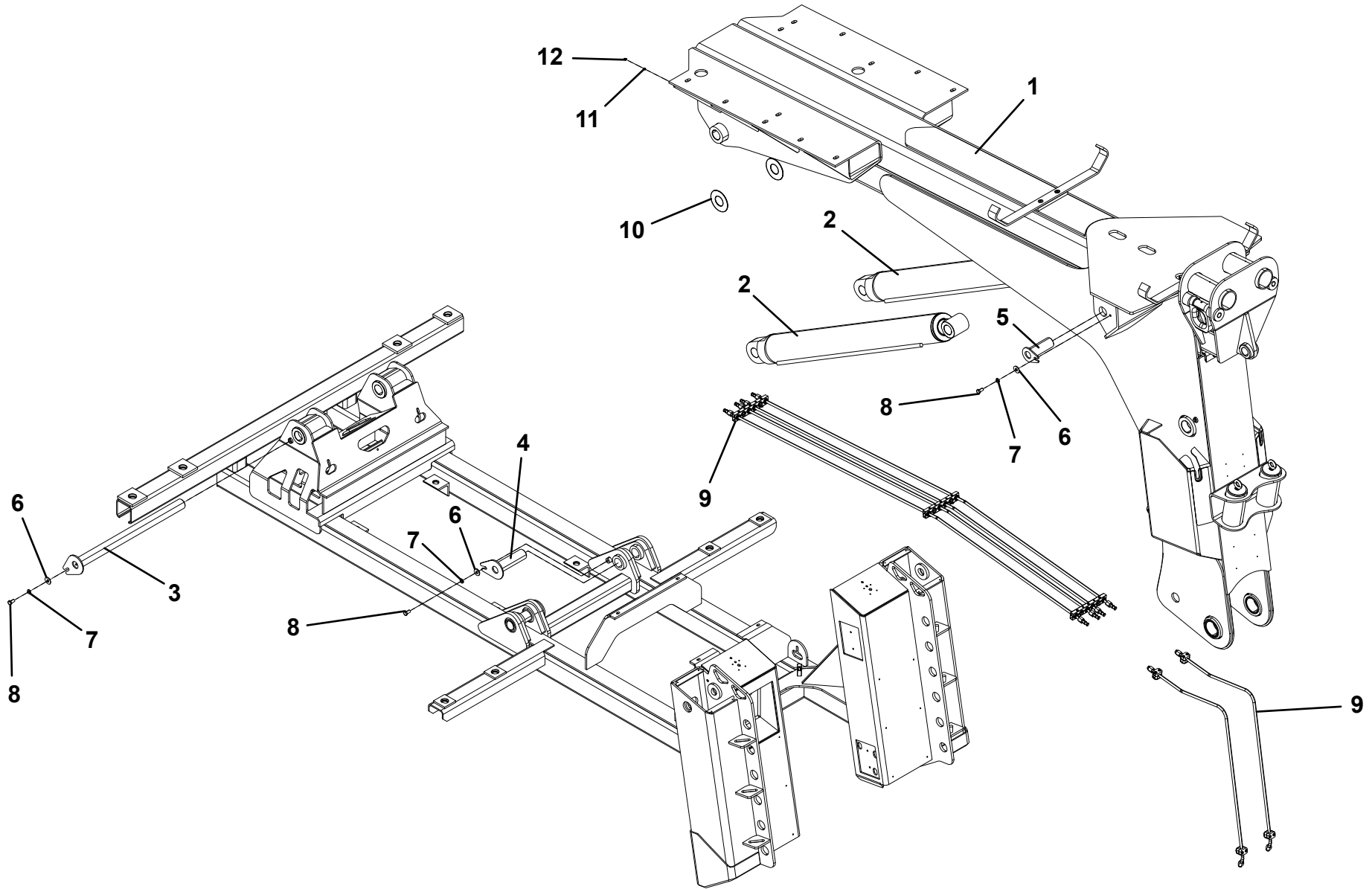
REAR SPADE TUBING



WRECKER BOOM INSTALLATION

ITEM	PART NO.	DESCRIPTION	QTY
1	1001172167	Wrecker Boom Assembly	1
2	7320000035	Cylinder	2
3	3691000163	Pin	1
4	3691000162	Pin	2
5	1391000161	Pin	2
6	7950180161	Flatwasher, 0.50" ID	5
7	7950180000	Lockwasher, 0.50" ID	5
8	7115180850	Capscrew, 0.50"-13NC x 1.00"	5
9	3912000006	Tube Assembly	1
10	3577000037	Shims	1
11	7440030000	Grease Fitting	1
12	7253000002	Grease Fitting Cap	5

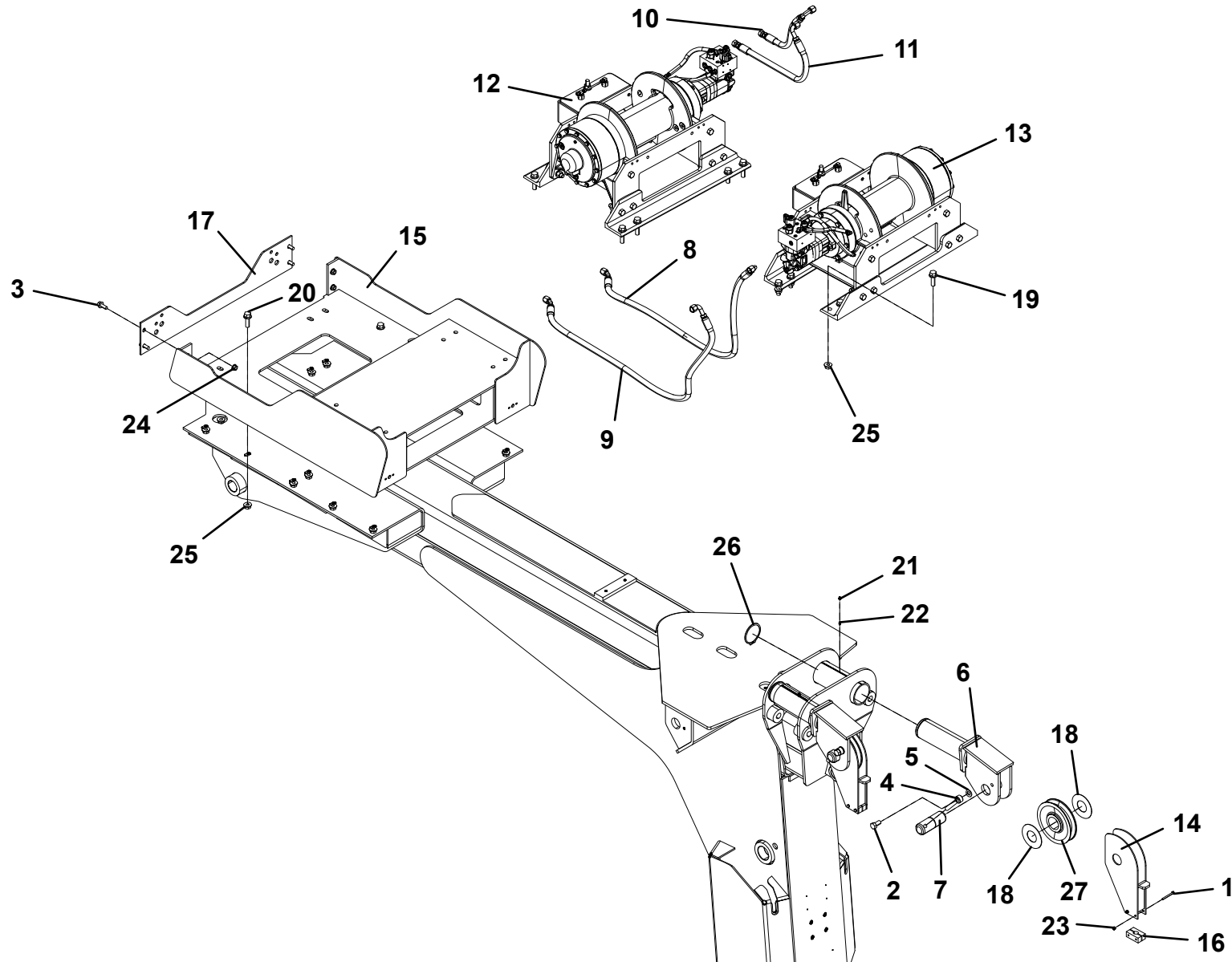
WRECKER BOOM INSTALLATION



WINCH INSTALLATION

ITEM	PART NO.	DESCRIPTION	QTY
1	0641420	Capscrew, 0.25" - 20NC x 2.50"	4
2	0642010	Capscrew, 0.63" - 20NC x 1.25"	2
3	0811810	Screw, 0.50" - 13NC x 1.25"	4
4	3841258	Rod	2
5	4712000	Washer, 0.63" ID	2
6	1001169609	Support	2
7	1001170037	Pin	2
8	1001219188	Hose Assembly	1
9	1001219189	Hose Assembly	1
10	456752018	Hose Assembly	1
11	1001166531	Hose Assembly	1
12	1001228390	Winch, LH	1
13	1001228391	Winch, RH	1
14	3249000001	Cable Guide Weldment	2
15	3636000068	Winch Mount	1
16	4249000001	Cable Guide	4
17	4706002417	Plate	1
18	4949000031	Washer	4
19	7118201616	Capscrew, 0.63" - 11NC x 2.00"	16
20	7118202016	Bolt, 0.63" - 11NC x 2.50"	6
21	7253000002	Grease Cap	4
22	7440030000	Grease Fitting	4
23	7660142601	Locknut, 0.25" - 20NC	4
24	7660182301	Locknut, 0.50" - 13NC	4
25	7661000018	Nut, 0.63" - 11NC	22
26	7754000049	Retaining Ring	2
27	7809000019	Sheave	2

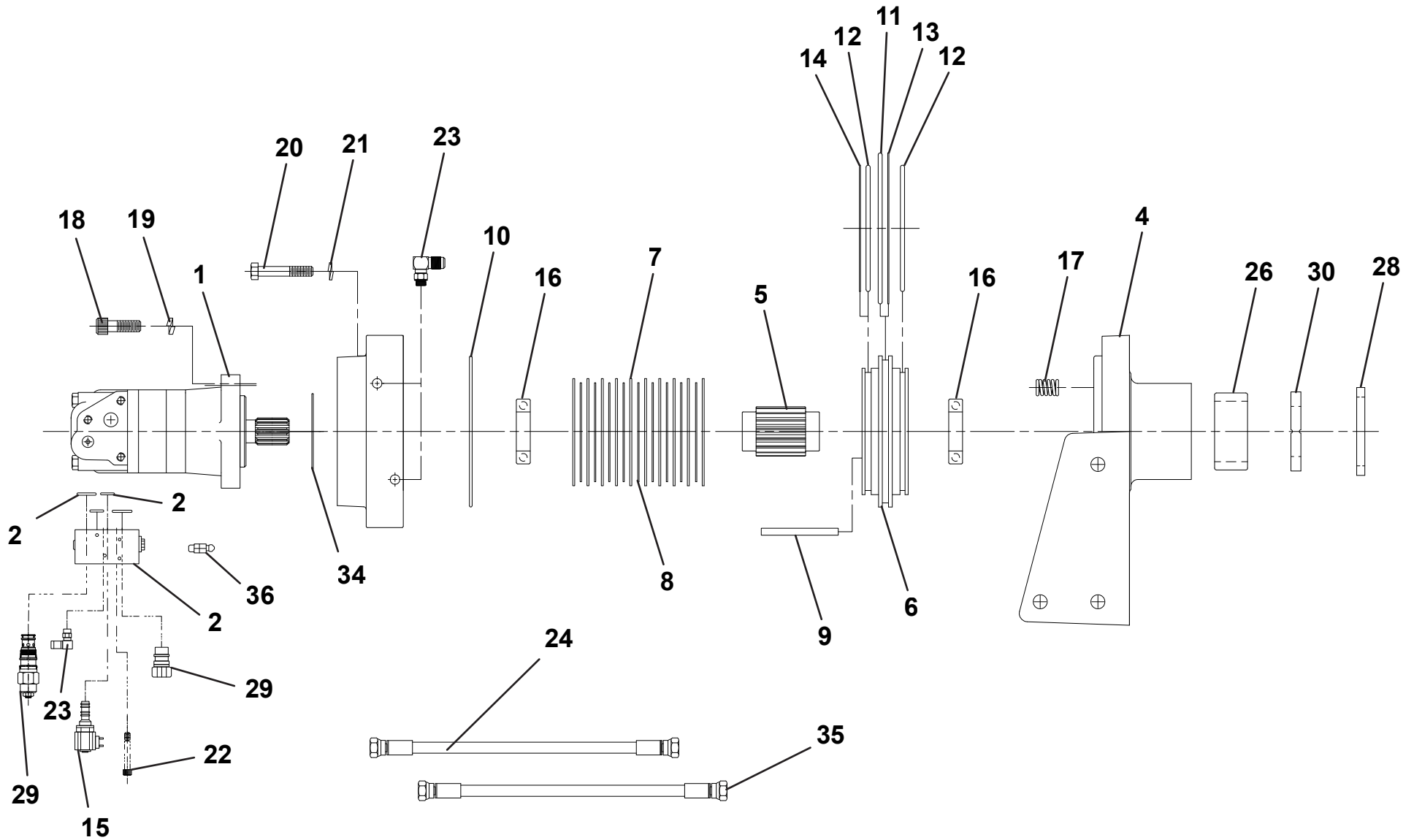
WINCH TUBE INSTALLATION



DP WINCH 25K - MOTOR END INSTALLATION

ITEM	PART NO.	DESCRIPTION	QTY
1	700501679	Motor, Hydraulic	1
2	70050368	Valve, Counterbalance	1
3	9571960006	Housing, Brake	1
4	9177960004	Support, Motorend	1
5	9806960019	Shaft	1
6	9698960008	Piston	1
7	9706960023	Plate	10
8	70051302	Plate	9
9	9691960021	Pin	2
10	70051307	O-Ring	1
11	70051305	Ring	1
12	70051303	O-Ring	2
13	70051306	Ring	1
14	70051304	O-Ring	1
15	9626960013	Valve, Cartridge	1
16	9082960013	Bearing	2
17	9843960024	Spring	12
18	7118181205	Capscrew, 0.50" - 13NC x 1.50"	2
19	7950180800	Washer, 0.50" ID	2
20	7118172050	Capscrew, 0.43" - 14NC x 2.50"	6
21	7950170000	Washer, 0.43" ID	6
22	70050370	Capscrew, 0.38" - 24NC X 2.50"	4
23	7445040445	Fitting	3
24	70051309	Hose	1
25	70050401	Tag	1
26	9082960018	Bearing	1
28	9796960121	Seal	1
29	9935960026	Cartridge	2
30	9949960028	Washer	1
34	9796960090	O-Ring	1
35	70051309	O-Ring	1
36	9443960006	Fitting	1

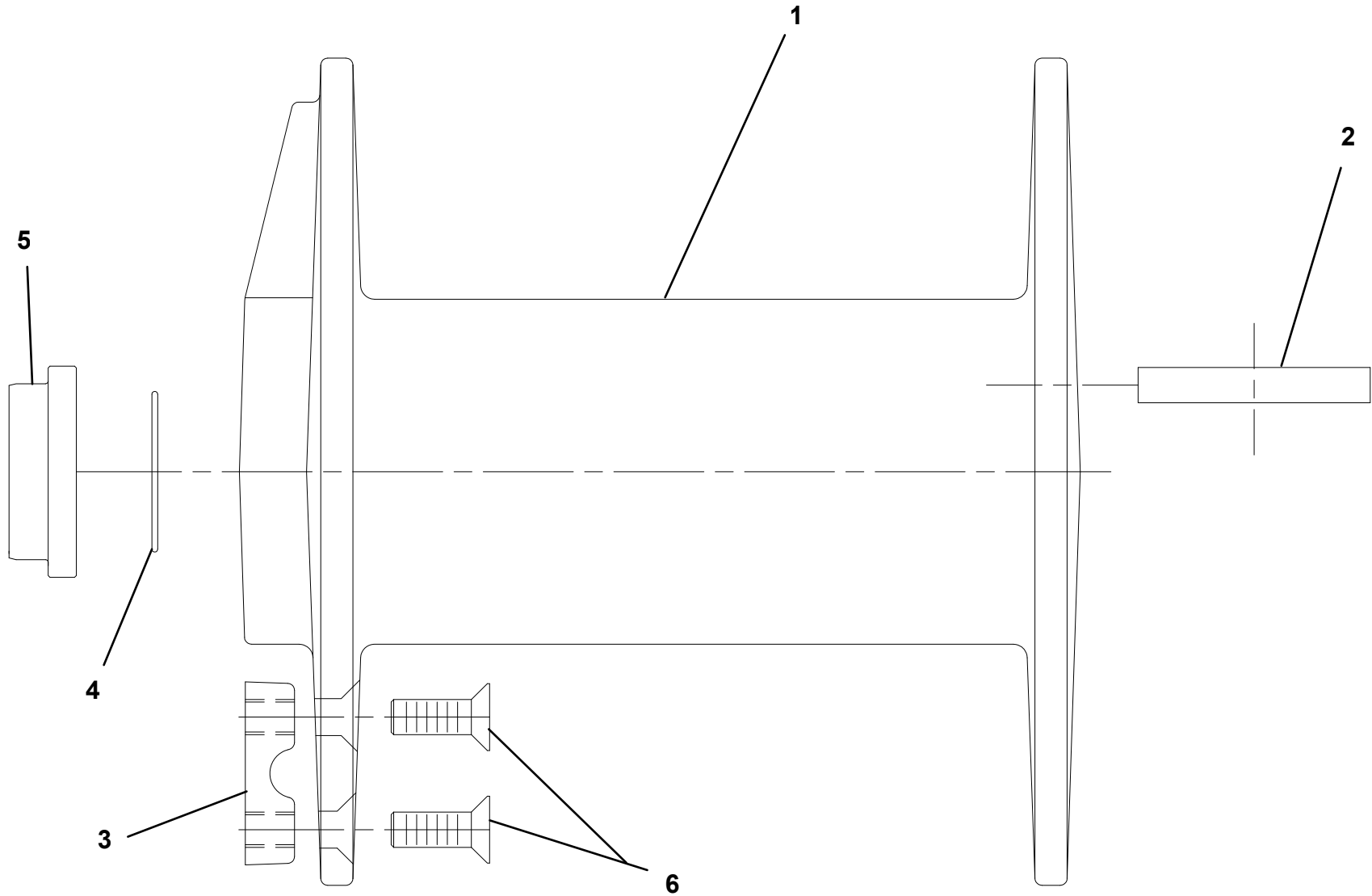
DP WINCH 25K - MOTOR END INSTALLATION



DP WINCH 25K - DRUM INSTALLATION

ITEM	PART NO.	DESCRIPTION	QTY
1	9970960020	Drum	1
2	9575960012	Key - Drum	2
3	9280960002	Clip - Cable	1
4	9796960089	O-Ring	1
5	9831960018	Spacer	1
6	7110201423	Capscrew, 0.63"-11NC X 1.75"	2

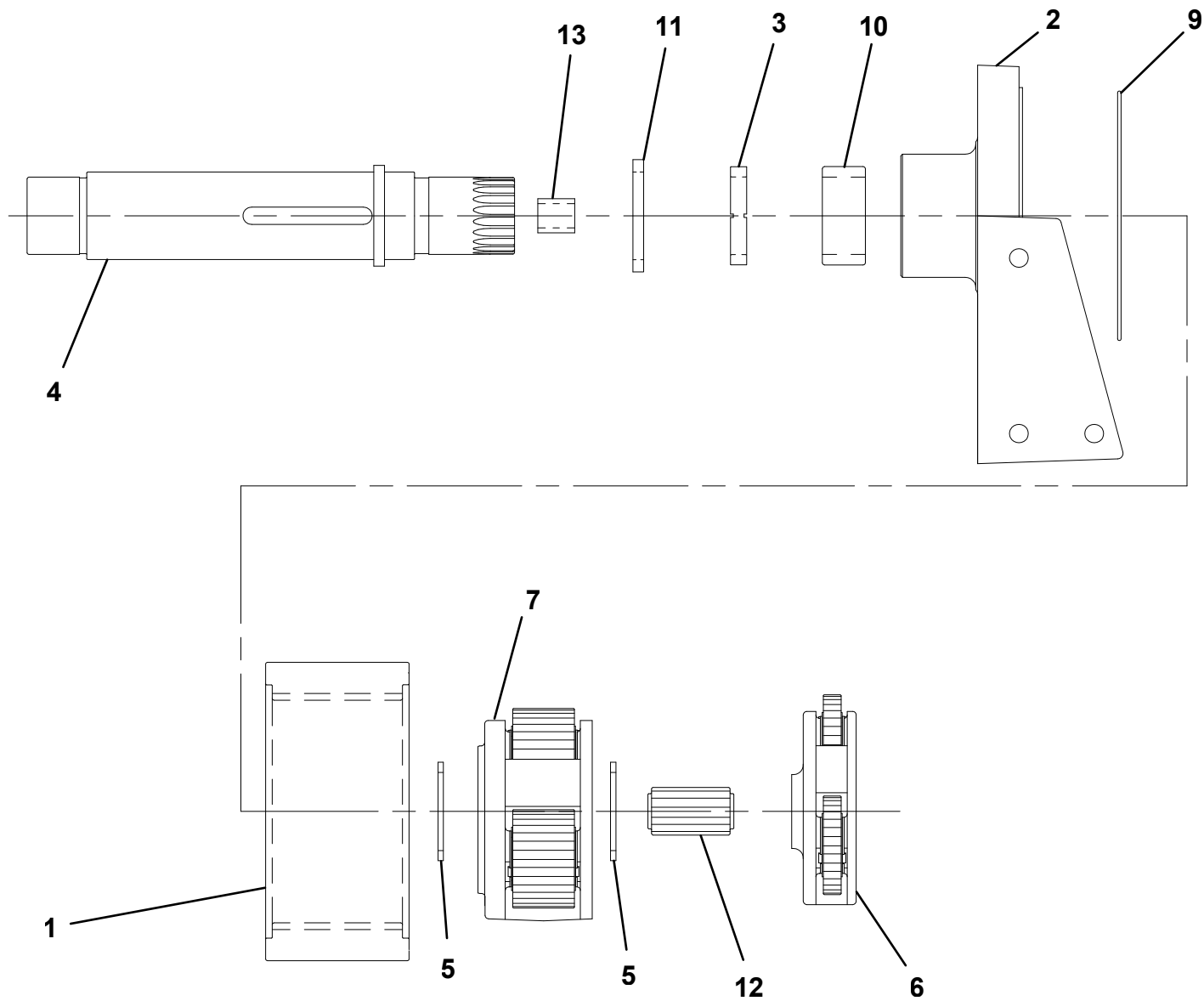
DP WINCH 25K - DRUM INSTALLATION



DP WINCH 25K GEAR END INSTALLATION

ITEM	PART NO.	DESCRIPTION	QTY
1	70050991	Gear - Ring	1
2	9177960003	Support - Gear End	1
3	9949960028	Washer - Thrust - Nylon - 3.81 x .406	1
4	9806960021	Shaft - Output	1
5	9949960027	Washer - Thrust- Nylon - 3.50" O.D. x 0.18"	2
6	9472960052	Assembly - Carrier - Planetary - Primary	1
7	70050992	Carrier - Assembly - Secondary	1
8	9330960006	Label - Warning (Not Shown on Drawing)	1
9	9796960120	O-Ring - 8.75" I.D. x .012" Section	1
10	9082960018	Bearing - Roller - Torrington	1
11	9796960121	Seal - Shaft - 3.12" ID x 4" OD x 0.38 Thick	1
12	70050993	Gear - Sun - 15 Teeth	1
13	9209960025	Bushing - 1.00" I.D. x 1.25" OD x 1.00" LG	1

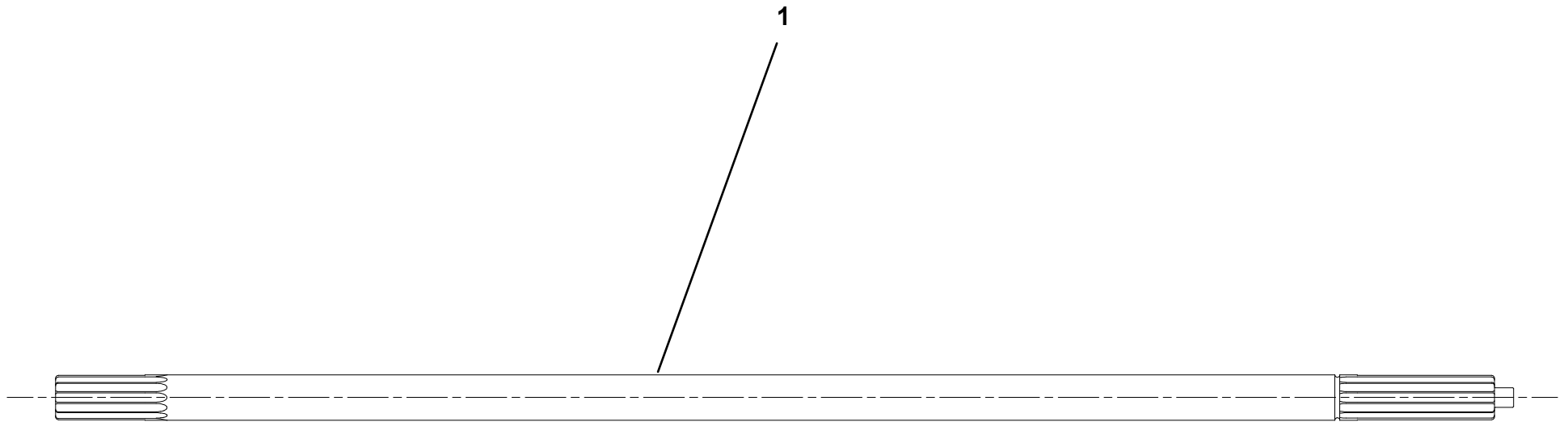
DP WINCH 25K GEAR END INSTALLATION



DP WINCH 25K - INPUT SHAFT

ITEM	PART NO.	DESCRIPTION	QTY
1	70050994	Input - Shaft	1

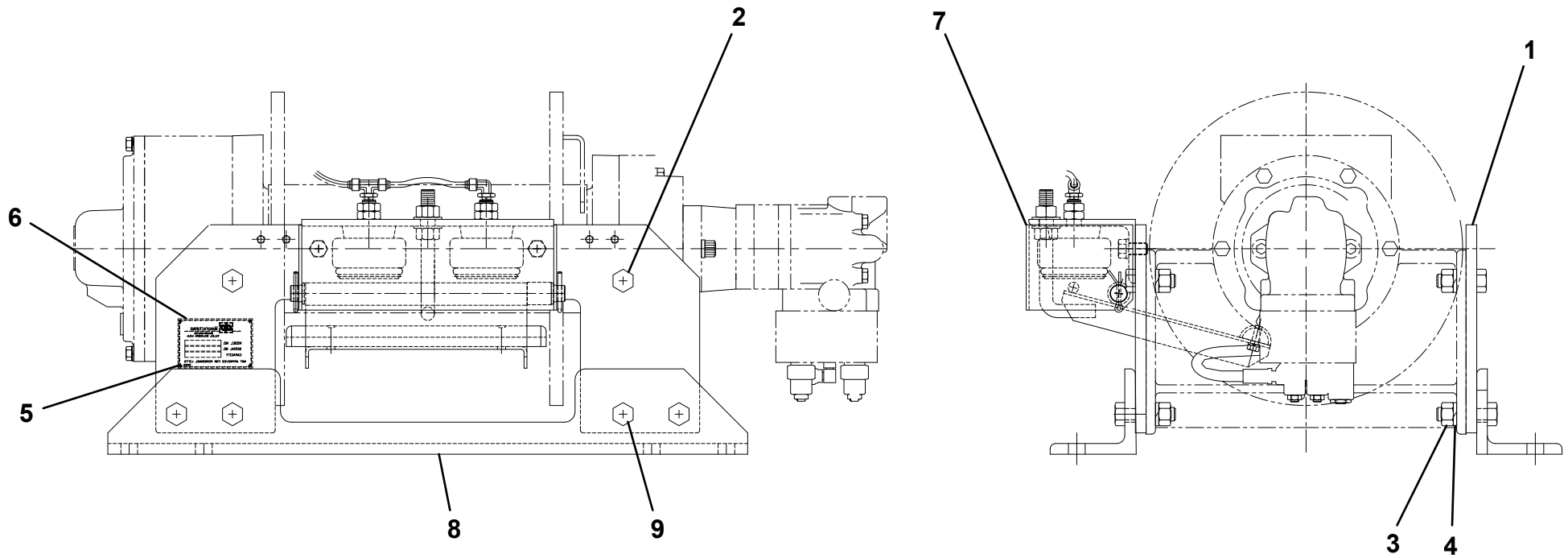
DP WINCH 25K - INPUT SHAFT



DP WINCH 25K - BASE MOUNT INSTALLATION

ITEM	PART NO.	DESCRIPTION	QTY
1	9073960003	Base Mount	2
2	7115201850	Capscrew 0.63"-11NC x 2.25"	4
3	7660200001	Nut .63"-11NC	12
4	7950200000	Lockwasher .63"	12
5	70050147	Rivet	4
6	70050384	Plate	1
7	70050398	Kit - Cable Hold Down	1
8	9073960004	Base Mount	2
9	7115202250	Capscrew, 0.63"-11NC x 2.75"	8

DP WINCH 25K - BASE MOUNT INSTALLATION



DP WINCH 25K - CABLE HOLD DOWN KIT

ITEM	PART NO.	DESCRIPTION	QTY
1	9178960011	Bracket - Mounting	1
2	9020960002	Arm - Pivot	1
3	9064960007	Bar - Rub - 1.50" - Half Round	1
4	9691960019	Pin, Pivot	1
5	9843960023	Spring - Cushion - Air - Goodyear	2
6	9690960039	Pin, Cotter 0.19" x 1.50"	2
7	7950180000	Lockwasher, 0.59" ID Nom Reg	2
8	7115181650	Capscrew, 0.50"-13NC x 2.00"	2
9	9949960012	Washer - Thrust	2
10	7660200200	Nut, 0.63"-11NC Hex Jam	4
11	9120960063	Capscrew, 0.31"-18NC x 1.00"	2
12	9912960010	Tubing - Nylon - 0.25" OD	3
13	7443000205	Adapter - Tee - Branch	3
14	7443000204	Adapter - 90 Degree	1
15	9949960050	Lockwasher, 0.31" ID	2
16	9831960009	Spacer - Pin - 1.12"	1
17	9120960019	Bolt - Anchor	1
18	7950200151	Flatwasher, 0.63" ID	2
19	7660200001	Nut .63"-11NC GR5 Hex - Plated	1

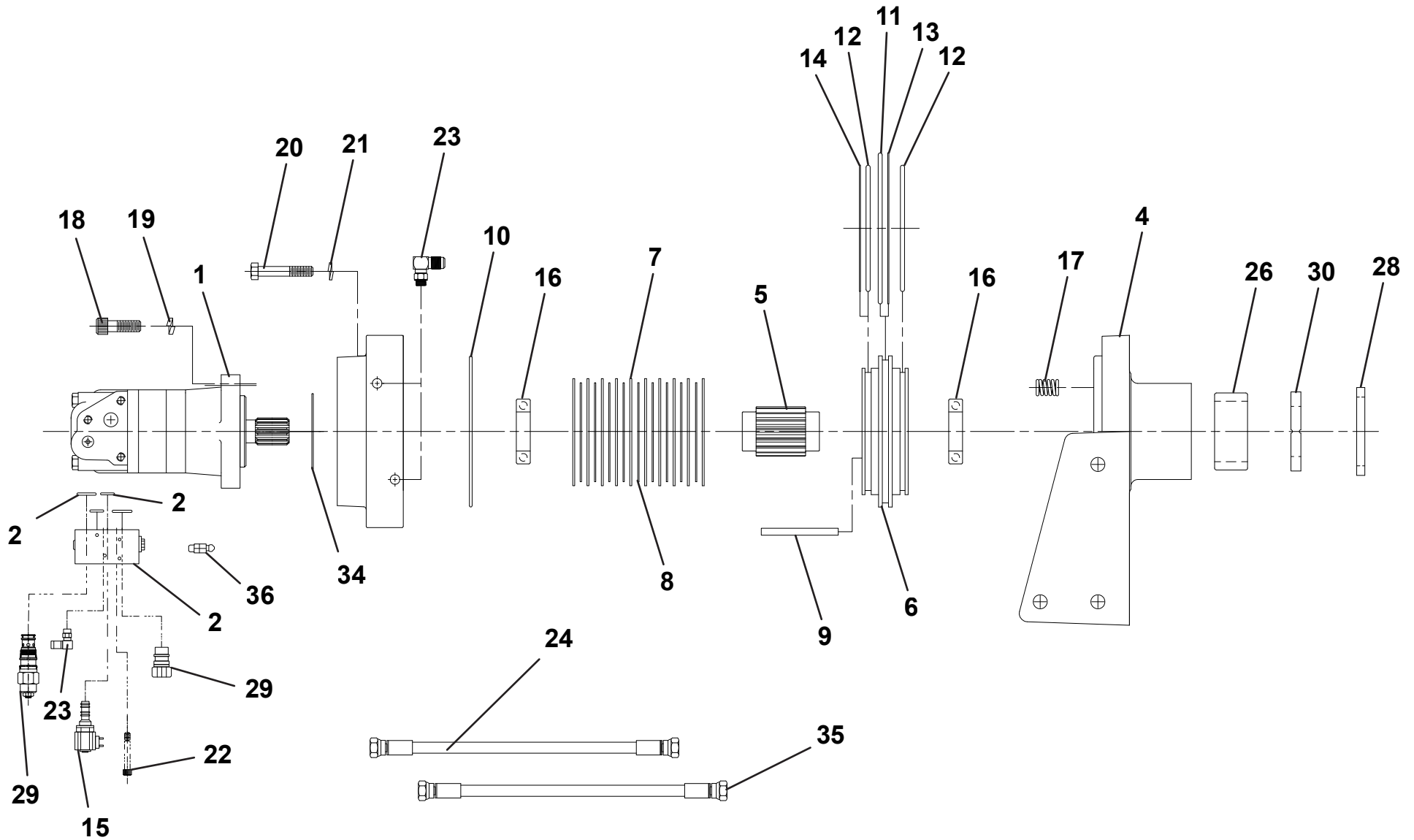
DP WINCH 25K - GEAR END COVER INSTALLATION

ITEM	PART NO.	DESCRIPTION	QTY
1	9314960022	Cover	1
2	9698960016	Piston	1
3	9698960015	Piston	1
4	9309960011	Coupling	1
5	9754960026	Retaining Ring	1
6	9796960120	O-Ring	1
7	9209960026	Bushing	1
8	9754960046	Retaining Ring	1
9	9754960047	Retaining Ring	1
10	9843960032	Spring	1
11	9949960028	Washer	1
13	9796960119	O-Ring	2
14	9796960118	O-Ring	1
15	9701960011	Plug	1
15	70050998	O-Ring	1
16	9701960012	Plug	1
16	70050998	O-Ring	1
17	9701960018	Plug	1
18	9183960001	Vent	1
19	70050995	Capscrew, 0.38"-16NC x 5.50"	12
20	7950160000	Lockwasher 0.38" ID	12
21	9472960054	Gear	1

DP WINCH 25K - MOTOR END INSTALLATION

ITEM	PART NO.	DESCRIPTION	QTY
1	700501679	Motor, Hydraulic	1
2	70050368	Valve, Counterbalance	1
3	9571960006	Housing, Brake	1
4	9177960004	Support, Motorend	1
5	9806960019	Shaft	1
6	9698960008	Piston	1
7	9706960023	Plate	10
8	70051302	Plate	9
9	9691960021	Pin	2
10	70051307	O-Ring	1
11	70051305	Ring	1
12	70051303	O-Ring	2
13	70051306	Ring	1
14	70051304	O-Ring	1
15	9626960013	Valve, Cartridge	1
16	9082960013	Bearing	2
17	9843960024	Spring	12
18	7118181205	Capscrew, 0.50" - 13NC x 1.50"	2
19	7950180800	Washer, 0.50" ID	2
20	7118172050	Capscrew, 0.43" - 14NC x 2.50"	6
21	7950170000	Washer, 0.43" ID	6
22	70050370	Capscrew, 0.38" - 24NC X 2.50"	4
23	7445040445	Fitting	3
24	70051309	Hose	1
25	70050401	Tag	1
26	9082960018	Bearing	1
28	9796960121	Seal	1
29	9935960026	Cartridge	2
30	9949960028	Washer	1
34	9796960090	O-Ring	1
35	70051309	O-Ring	1
36	9443960006	Fitting	1

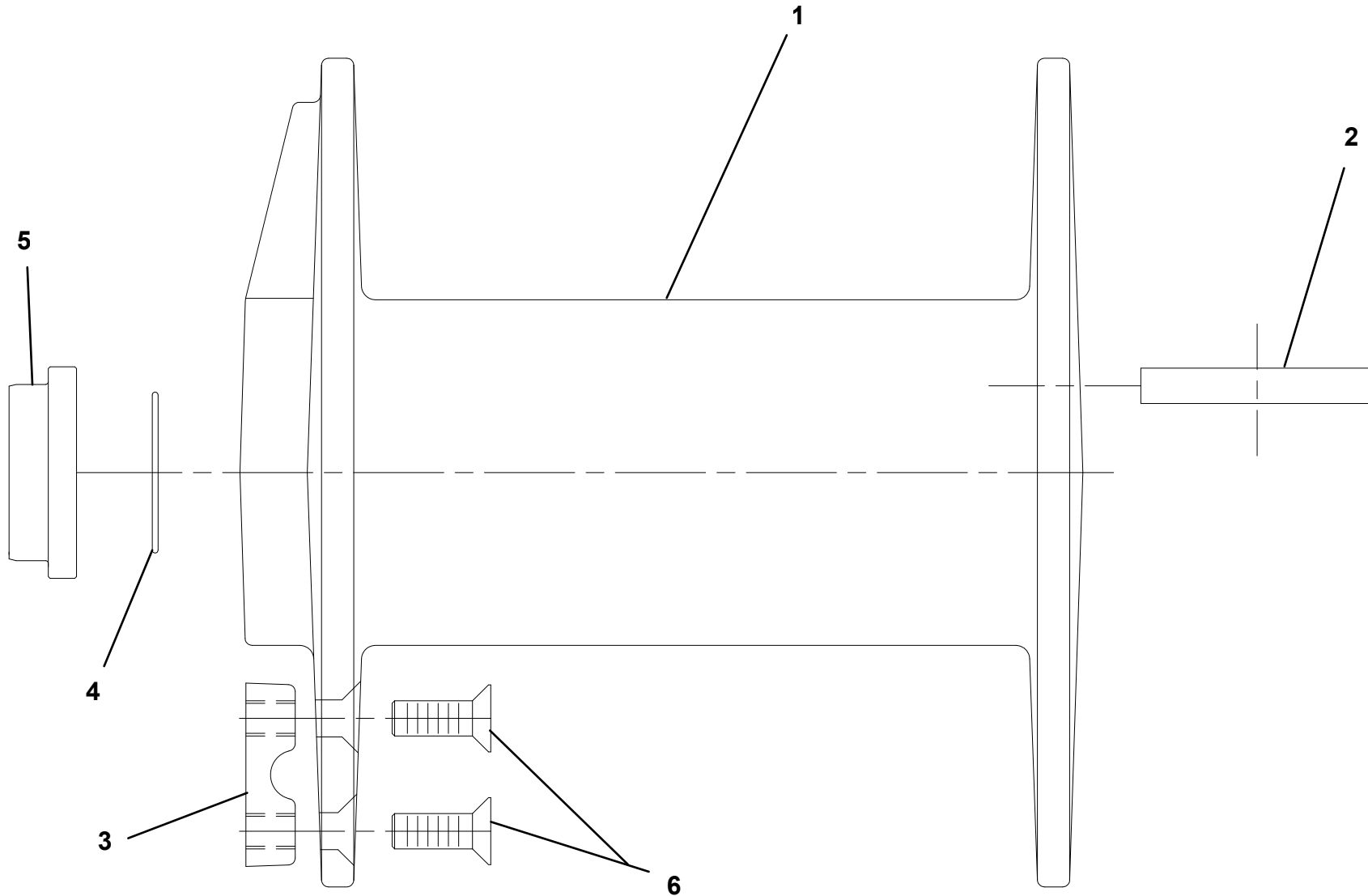
DP WINCH 25K - MOTOR END INSTALLATION



DP WINCH 25K - DRUM INSTALLATION

ITEM	PART NO.	DESCRIPTION	QTY
1	9970960020	Drum	1
2	9575960012	Key - Drum	2
3	9280960002	Clip - Cable	1
4	9796960089	O-Ring	1
5	9831960018	Spacer	1
6	7110201423	Capscrew, 0.63"-11NC X 1.75"	2

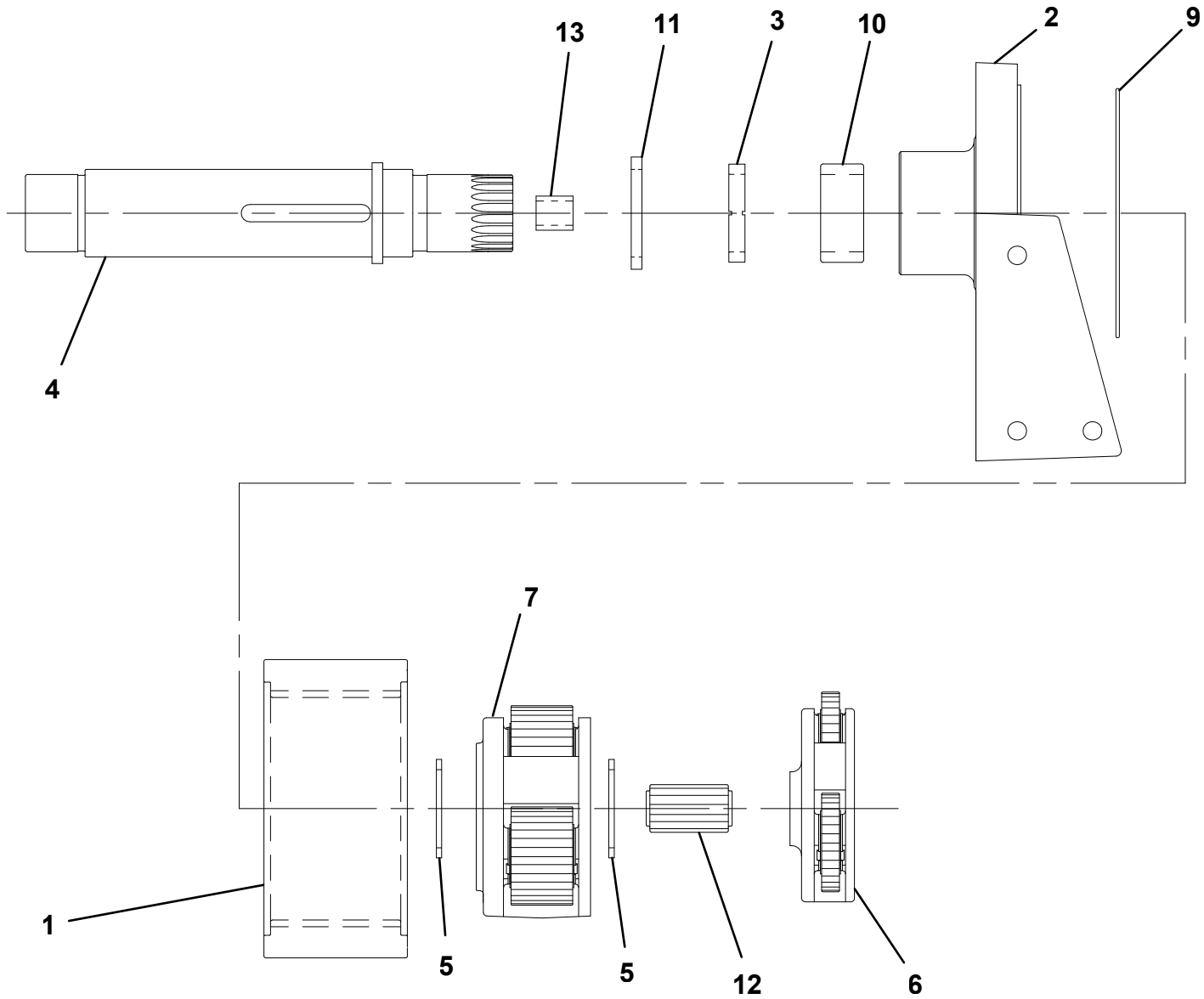
DP WINCH 25K - DRUM INSTALLATION



DP WINCH 25K GEAR END INSTALLATION

ITEM	PART NO.	DESCRIPTION	QTY
1	70050991	Gear - Ring	1
2	9177960003	Support - Gear End	1
3	9949960028	Washer - Thrust - Nylon - 3.81 x .406	1
4	9806960021	Shaft - Output	1
5	9949960027	Washer - Thrust- Nylon - 3.50" O.D. x 0.18"	2
6	9472960052	Assembly - Carrier - Planetary - Primary	1
7	70050992	Carrier - Assembly - Secondary	1
8	9330960006	Label - Warning (Not Shown on Drawing)	1
9	9796960120	O-Ring - 8.75" I.D. x .012" Section	1
10	9082960018	Bearing - Roller - Torrington	1
11	9796960121	Seal - Shaft - 3.12" ID x 4" OD x 0.38 Thick	1
12	70050993	Gear - Sun - 15 Teeth	1
13	9209960025	Bushing - 1.00" I.D. x 1.25" OD x 1.00" LG	1

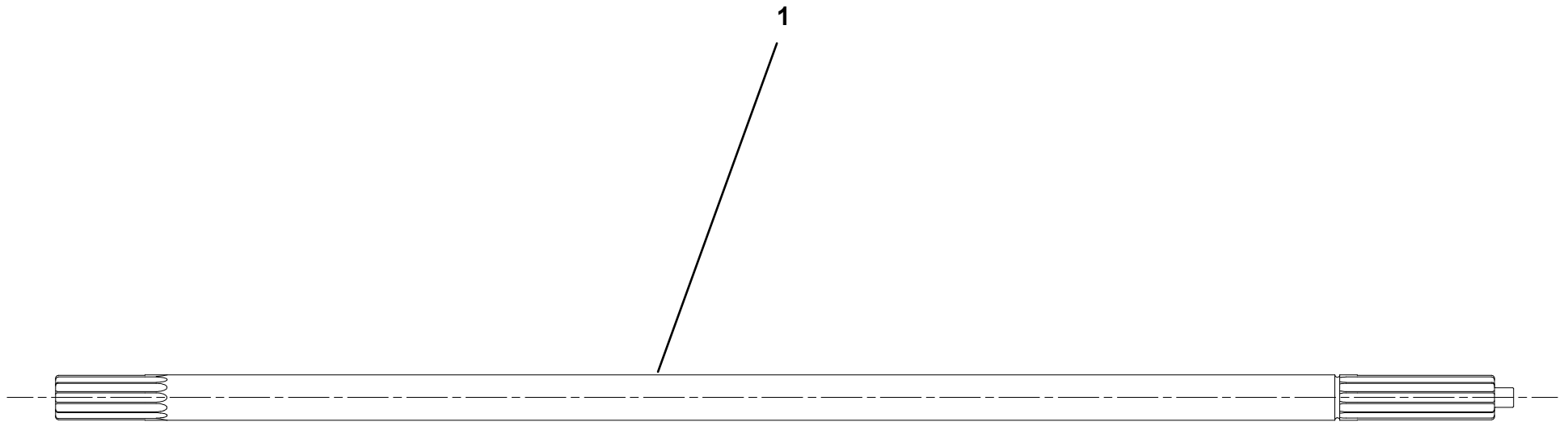
DP WINCH 25K GEAR END INSTALLATION



DP WINCH 25K - INPUT SHAFT

ITEM	PART NO.	DESCRIPTION	QTY
1	70050994	Input - Shaft	1

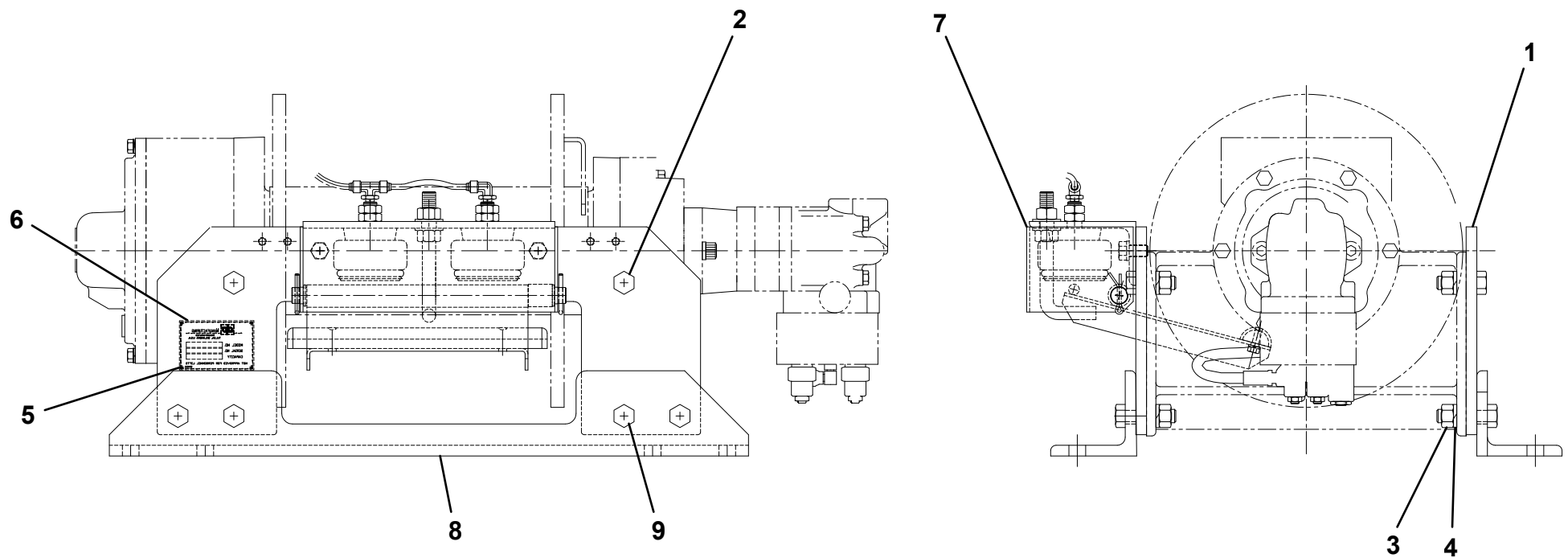
DP WINCH 25K - INPUT SHAFT



DP WINCH 25K - BASE MOUNT INSTALLATION

ITEM	PART NO.	DESCRIPTION	QTY
1	9073960003	Base Mount	2
2	7115201850	Capscrew 0.63"-11NC x 2.25"	4
3	7660200001	Nut .63"-11NC	12
4	7950200000	Lockwasher .63"	12
5	70050147	Rivet	4
6	70050384	Plate	1
7	70050398	Kit - Cable Hold Down	1
8	9073960004	Base Mount	2
9	7115202250	Capscrew, 0.63"-11NC x 2.75"	8

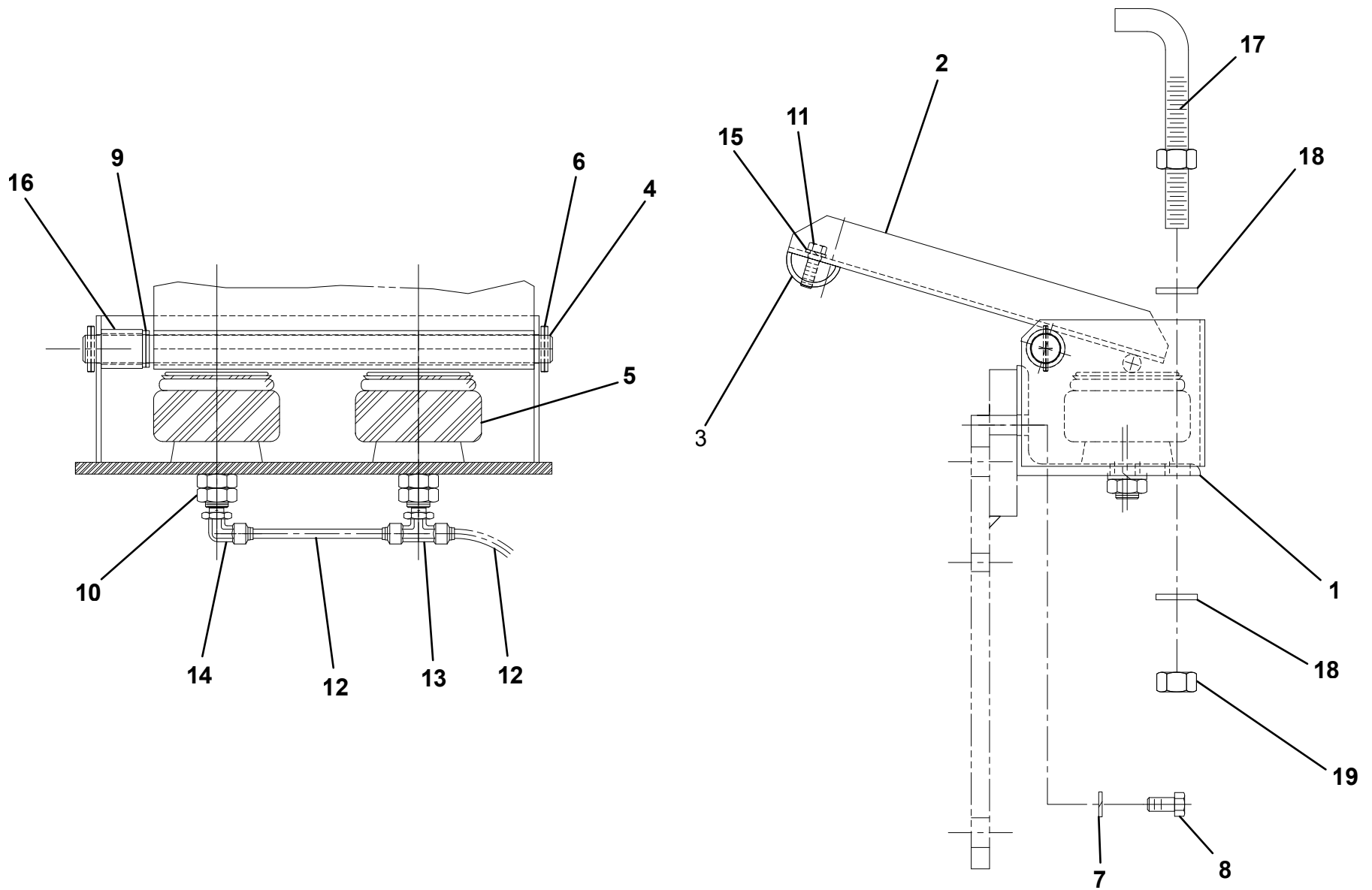
DP WINCH 25K - BASE MOUNT INSTALLATION



DP WINCH 25K - CABLE HOLD DOWN KIT

ITEM	PART NO.	DESCRIPTION	QTY
1	9178960011	Bracket - Mounting	1
2	9020960002	Arm - Pivot	1
3	9064960007	Bar - Rub - 1.50" - Half Round	1
4	9691960019	Pin, Pivot	1
5	9843960023	Spring - Cushion - Air - Goodyear	2
6	9690960039	Pin, Cotter 0.19" x 1.50"	2
7	7950180000	Lockwasher, 0.59" ID Nom Reg	2
8	7115181650	Capscrew, 0.50"-13NC x 2.00"	2
9	9949960012	Washer - Thrust	2
10	7660200200	Nut, 0.63"-11NC Hex Jam	4
11	9120960063	Capscrew, 0.31"-18NC x 1.00"	2
12	9912960010	Tubing - Nylon - 0.25" OD	3
13	7443000205	Adapter - Tee - Branch	3
14	7443000204	Adapter - 90 Degree	1
15	9949960050	Lockwasher, 0.31" ID	2
16	9831960009	Spacer - Pin - 1.12"	1
17	9120960019	Bolt - Anchor	1
18	7950200151	Flatwasher, 0.63" ID	2
19	7660200001	Nut .63"-11NC GR5 Hex - Plated	1

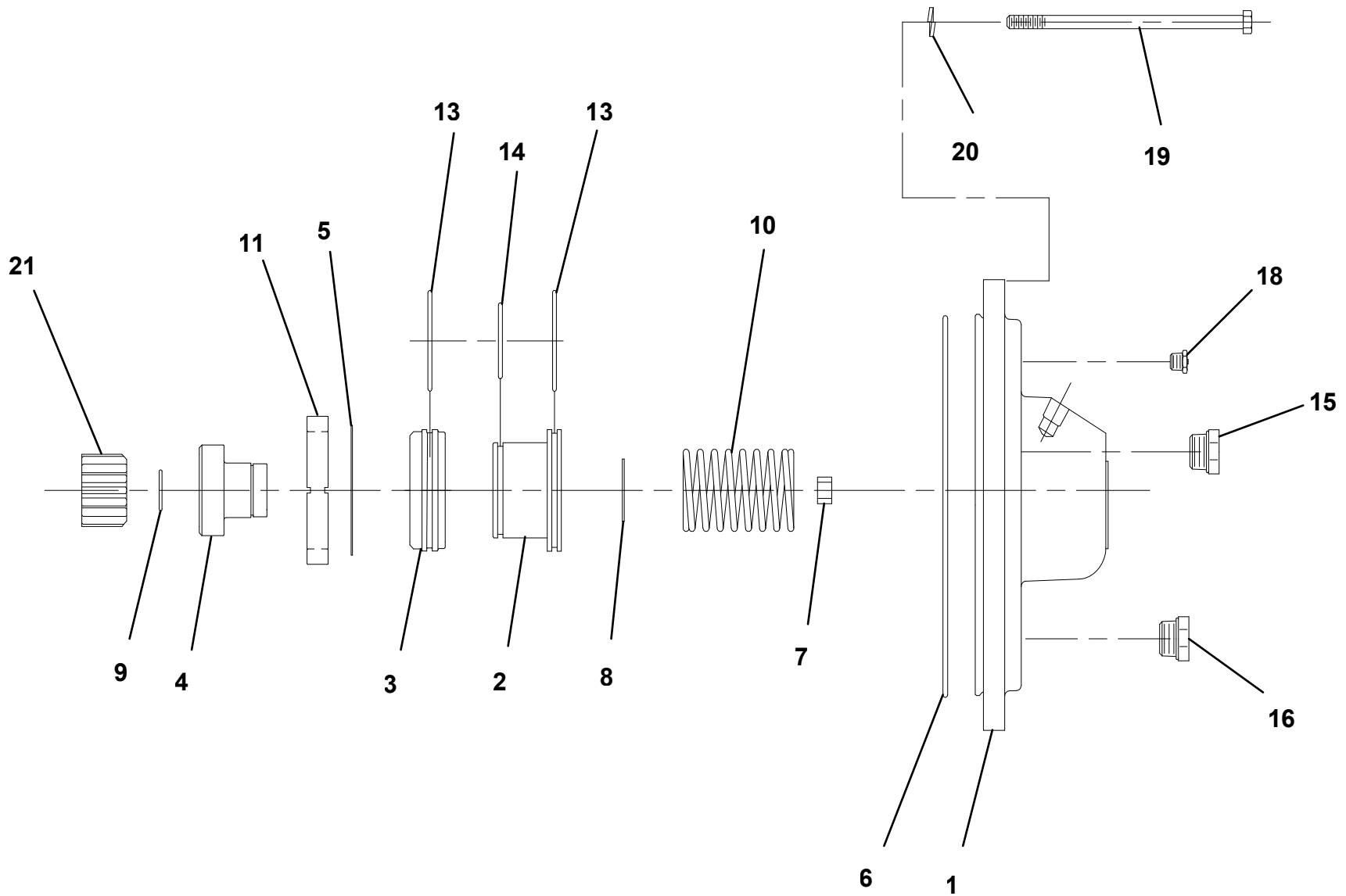
DP WINCH 25K - CABLE HOLD DOWN KIT



DP WINCH 25K - GEAR END COVER INSTALLATION

ITEM	PART NO.	DESCRIPTION	QTY
1	9314960022	Cover	1
2	9698960016	Piston	1
3	9698960015	Piston	1
4	9309960011	Coupling	1
5	9754960026	Retaining Ring	1
6	9796960120	O-Ring	1
7	9209960026	Bushing	1
8	9754960046	Retaining Ring	1
9	9754960047	Retaining Ring	1
10	9843960032	Spring	1
11	9949960028	Washer	1
13	9796960119	O-Ring	2
14	9796960118	O-Ring	1
15	9701960011	Plug	1
15	70050998	O-Ring	1
16	9701960012	Plug	1
16	70050998	O-Ring	1
17	9701960018	Plug	1
18	9183960001	Vent	1
19	70050995	Capscrew, 0.38"-16NC x 5.50"	12
20	7950160000	Lockwasher 0.38" ID	12
21	9472960054	Gear	1

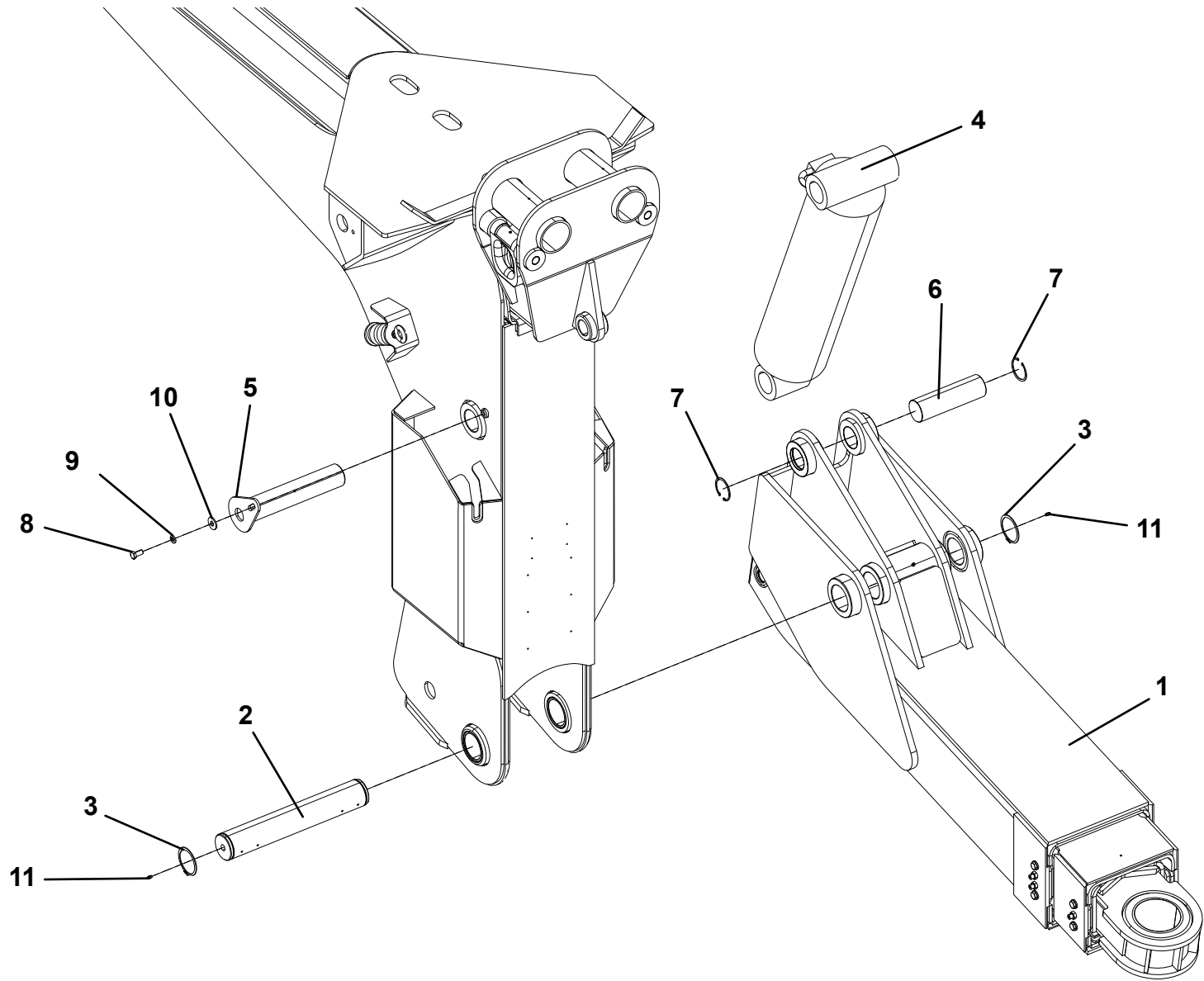
DP WINCH 25K - GEAR END COVER INSTALLATION



UNDERLIFT INSTALLATION

ITEM	PART NO.	DESCRIPTION	QTY
1	3170000225	Underlift Assembly	1
2	4691000311	Pin	1
3	7754000018	Retaining Ring	2
4	7320000036	Cylinder	1
5	3691000160	Pin	1
6	4691000317	Pin	1
7	7754000051	Retaining Ring	2
8	7115180850	Capscrew, 0.50" - 13NC x 1.00"	1
9	7115180000	Lockwasher, 0.59" ID	1
10	7950180161	Flatwasher, 0.50" ID	1
11	744030000	Grease Fitting	3

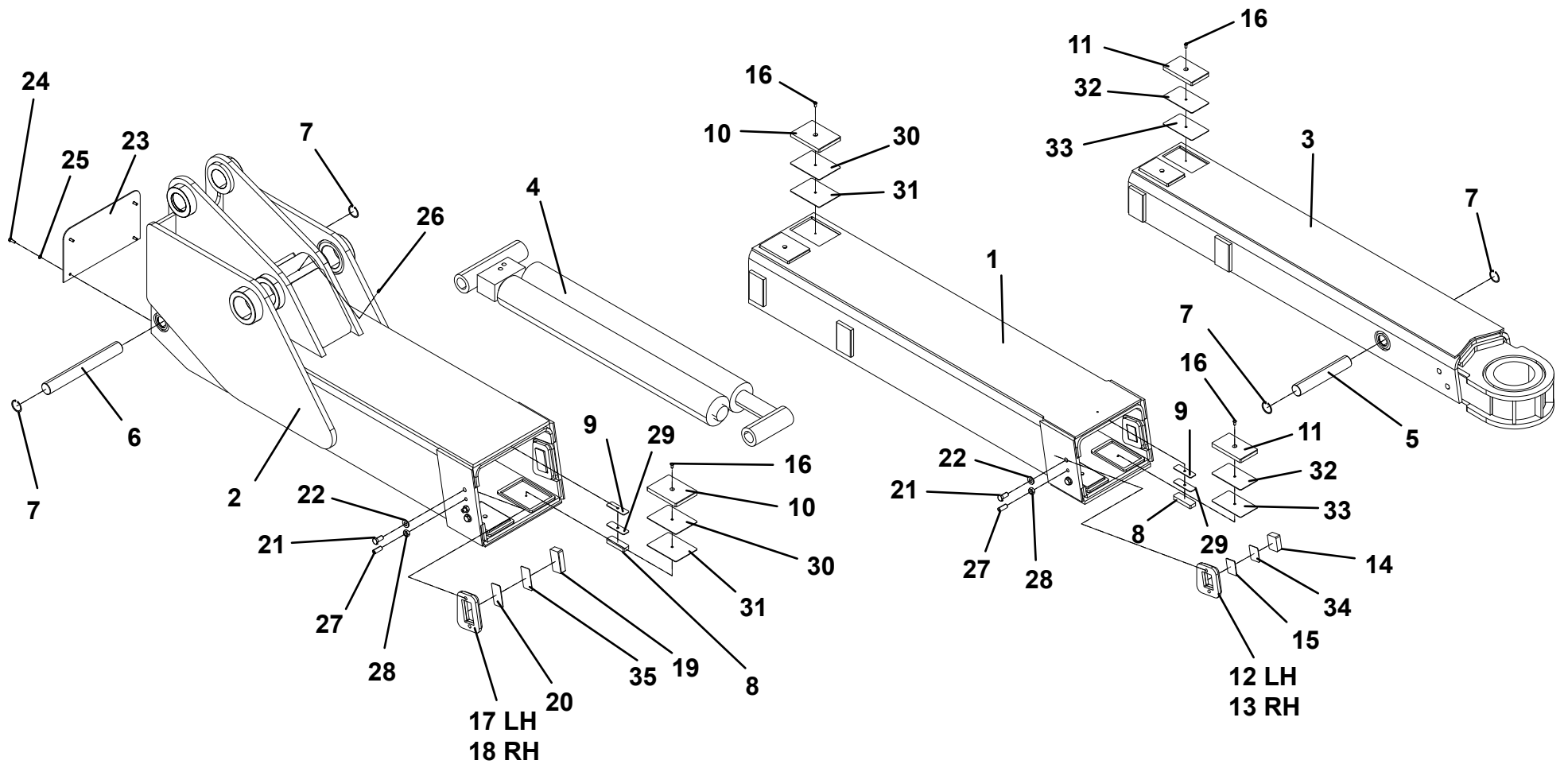
UNDERLIFT INSTALLATION



UNDERLIFT ASSEMBLY

ITEM	PART NO.	DESCRIPTION	QTY
1	3170000223	Boom Weldment, Mid	1
2	3170000224	Boom Weldment, Base	1
3	3170000222	Boom Weldment, Fly	1
4	7320000034	Cylinder	1
5	4691000318	Pin	1
6	4691000316	Pin	1
7	7754000043	Retaining Ring	4
8	4679000159	Pad	2
9	4706003708	Plate	2
10	4679000161	Pad	4
11	4679000158	Pad	4
12	3706000177	Plate	1
13	3706000178	Plate	1
14	4679000206	Pad	2
15	4706003144	Plate	2
16	7114140418	Capscrew, 0.25"-20NC X 0.50"	8
17	3706000179	Plate	1
18	3706000180	Plate	1
19	4679000205	Pad	2
20	4706003719	Plate	2
21	7105180850	Capscrew, 0.50"-20NF X 1.00"	8
22	7950180153	Flatwasher 0.50" ID	8
23	4706002467	Plate	1
24	7115140650	Capscrew, 0.25"-20NC X 0.75"	4
25	7950140000	Lockwasher, 0.25" ID	4
26	7440030000	Grease Fitting	1
27	7786000008	Screw, 0.50"-20NF X 1.25"	6
28	7660180230	Nut, 0.50"-20NF	6
29	4706003709	Plate	2
30	4706003721	Plate	4
31	4706003722	Plate	4
32	4706003723	Plate	4
33	4706003724	Plate	4
34	4706003725	Plate	2
35	4706003720	Plate	2

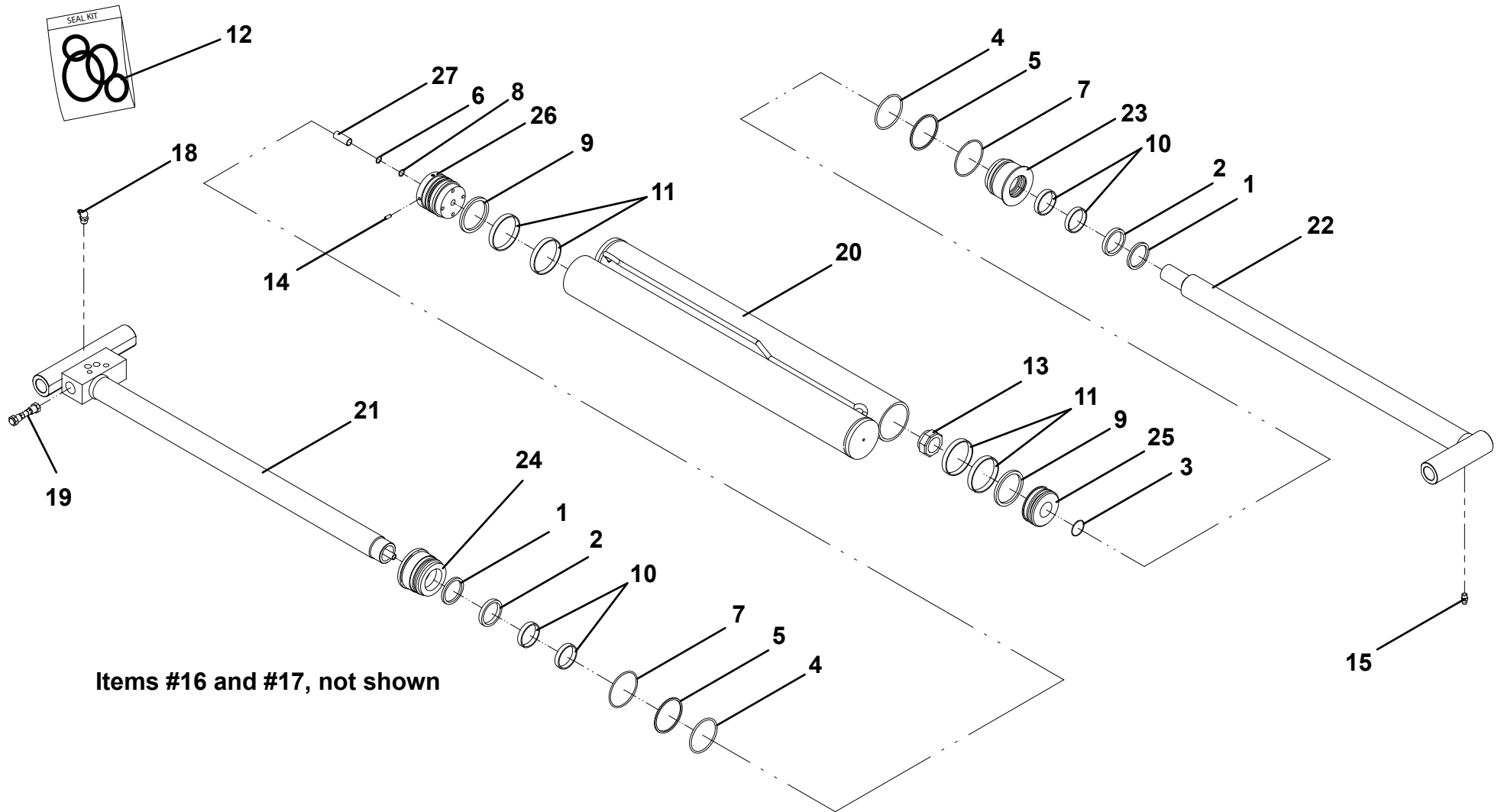
UNDERLIFT ASSEMBLY



UNDERLIFT EXTENSION CYLINDER ASSEMBLY - 7320000034

ITEM	PART NO.	DESCRIPTION	QTY
1	9796250080	Seal, Wiper	2
2	7019828	Seal	2
3	9796250133	Seal, "O" Ring	1
4	7019846	Seal, "O" Ring	2
5	7019845	Ring, Back-up	2
6	9796250135	Seal, "O" Ring	2
7	7019844	Seal, "O" Ring	2
8	9796250137	Seal, "O" Ring	2
9	9796250138	Seal	2
10	9754250015	Ring, Wear	4
11	9754250049	Ring, Wear	4
12	7577250297	Kit, Seal	1
13	7003212	Locknut	1
14	7003281	Setscrew	4
15	7005348	Grease Fitting	1
16	70050365	Plug, Port	2
17	70021648	Plug, Port	2
18	7440030400	Grease Fitting	1
19	9935250035	Kit, Check Cartridge	1
20	9912250025	Assembly, Tube	1
21	9763250030	Assembly, Rod	1
22	9763250031	Assembly, Rod-Tube	1
23	9553250011	Head	1
24	9553250020	Head	1
25	9698250022	Piston	1
26	9698250023	Piston	1
27	9007250005	Adapter, RT Tube	1

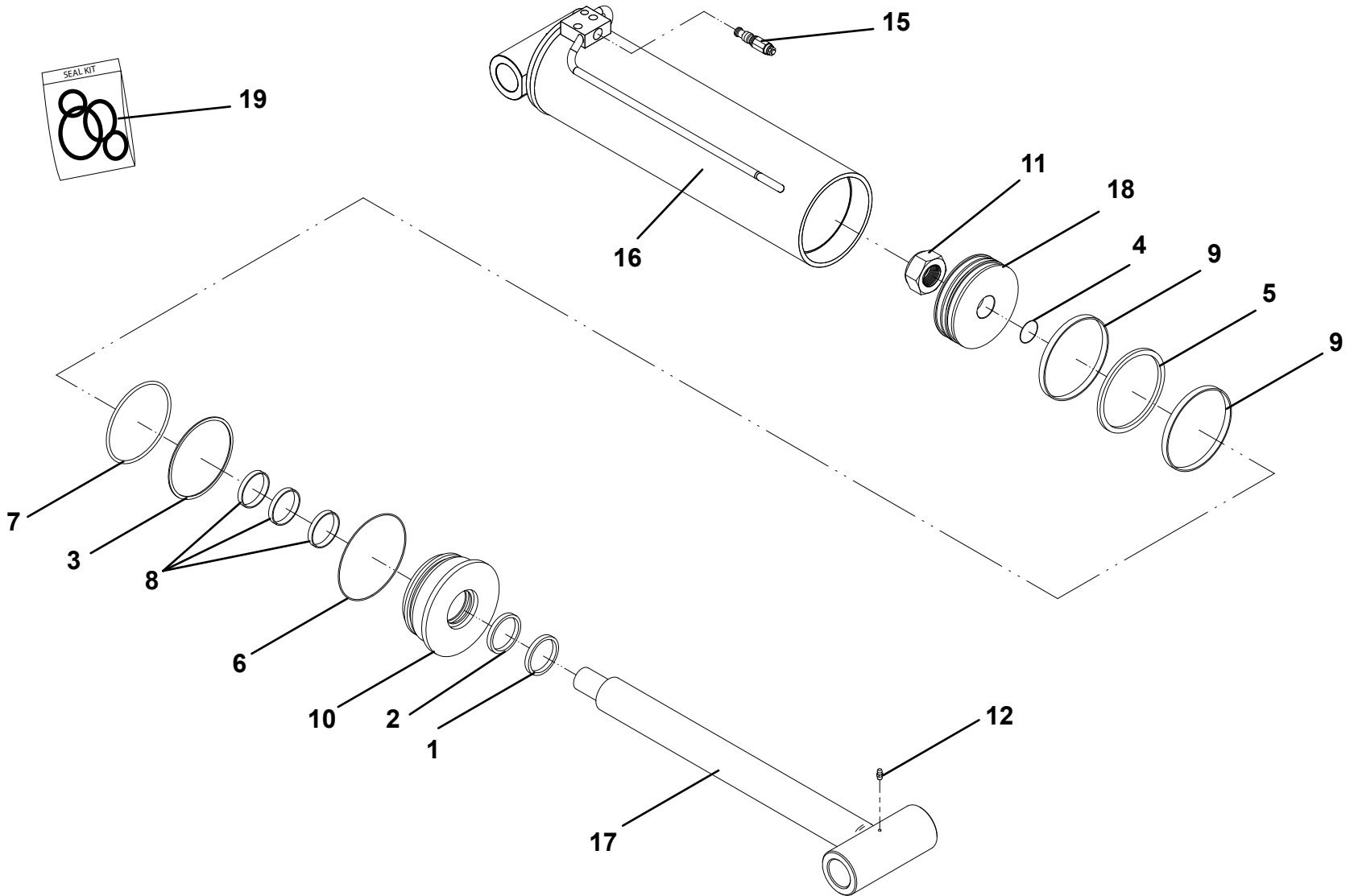
UNDERLIFT EXTENSION CYLINDER ASSEMBLY - 7320000034



UNDERLIFT TILT CYLINDER - 7320000036

ITEM	PART NO.	DESCRIPTION	QTY
1	83304143	Seal, Wiper	1
2	9796250071	Seal	1
3	9754250043	Ring, Back-up	1
4	9796250062	Seal, "O" Ring	1
5	9796250113	Seal	1
6	9796250124	Seal, "O" Ring	1
7	9796250117	Seal, "O" Ring	1
8	83304140	Ring, Wear	3
9	9754250045	Ring, Wear	2
10	70051680	Head	1
11	7005314	Locknut	1
12	7005348	Grease Fitting	1
13	7005365	Plug, Port	3
14	70021648	Plug, Port	2
15	70050231	Valve, Counterbalance	1
16	70051682	Assembly, Tube	1
17	70051681	Assembly, Rod	1
18	9698250021	Piston	1
19	7577250204	Kit, Seal	1

UNDERLIFT TILT CYLINDER - 7320000036

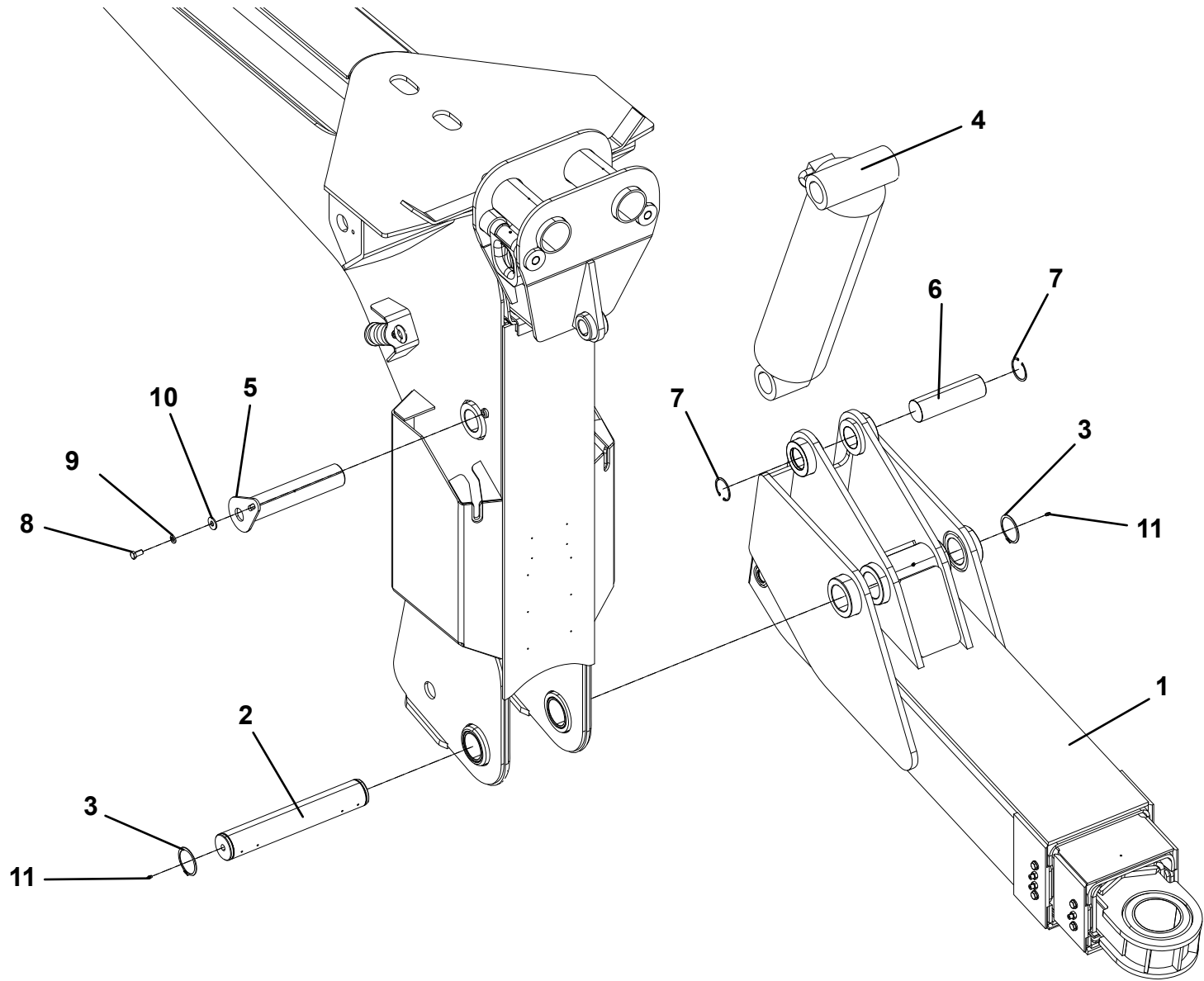


Items #13 and #14, not shown

UNDERLIFT INSTALLATION

ITEM	PART NO.	DESCRIPTION	QTY
1	3170000220	Underlift Assembly	1
2	4691000311	Pin	1
3	7754000018	Retaining Ring	2
4	7320000036	Cylinder	1
5	3691000160	Pin	1
6	4691000317	Pin	1
7	7754000051	Retaining Ring	2
8	7115180850	Capscrew, 0.50" - 13NC x 1.00"	1
9	7115180000	Lockwasher, 0.59" ID	1
10	7950180161	Flatwasher, 0.50" ID	1
11	744030000	Grease Fitting	3

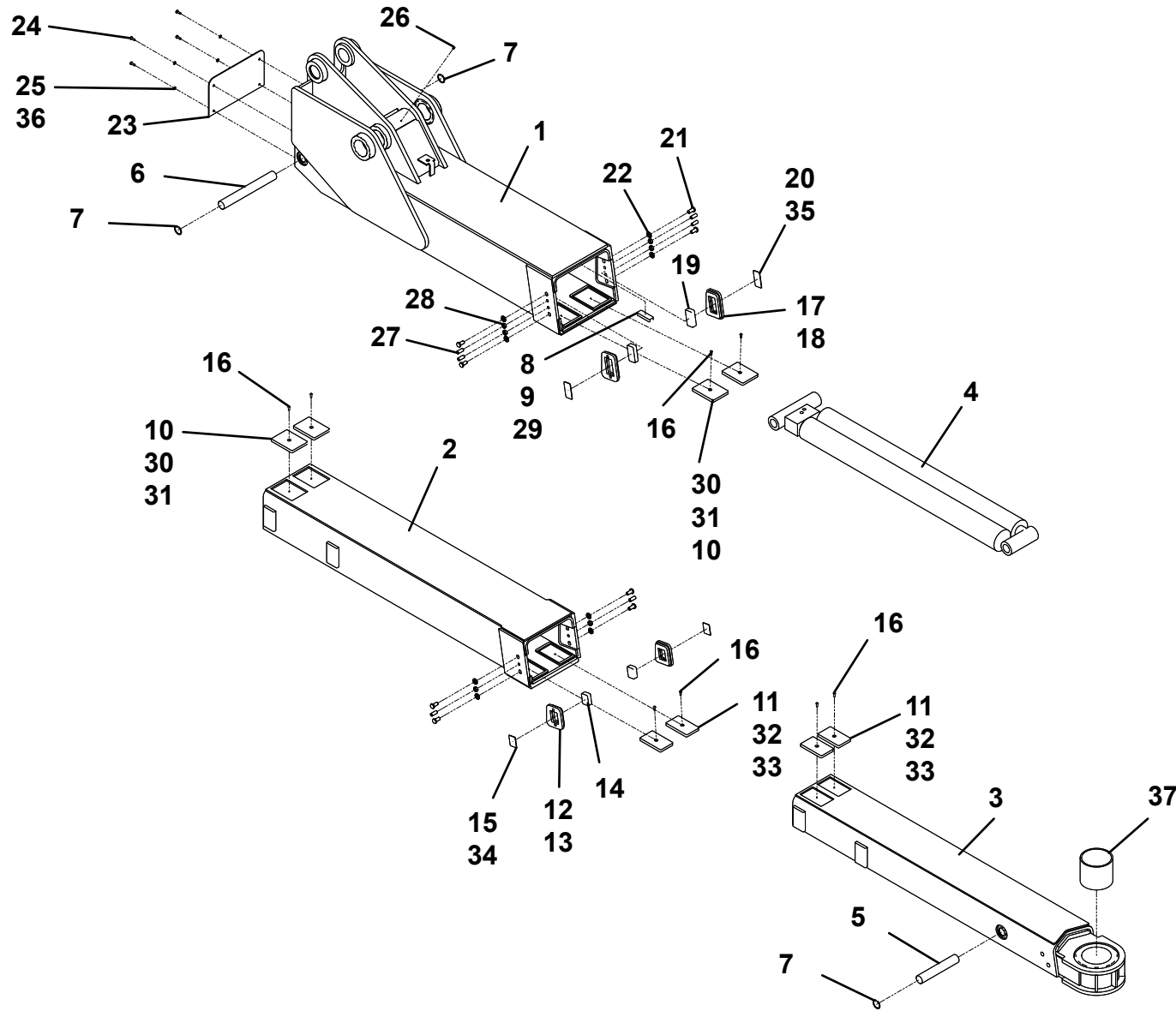
UNDERLIFT INSTALLATION



UNDERLIFT ASSEMBLY - 3170000220 - 35,000 LB (STANDARD)

ITEM	PART NO.	DESCRIPTION	QTY
1	3170000224	Base Section Boom Weldment	1
2	3170000223	Mid Section Boom Weldment	1
3	3170000221	Fly Section Boom Weldment	1
4	7320000042	Underlift Extension Cylinder	1
5	4691000318	Pin	1
6	4691000316	Pin	1
7	7754000043	Snap Ring	4
8	4679000159	Pad	2
9	4706003708	Plate	2
10	4679000161	Pad	4
11	4679000158	Pad	4
12	3706000177	Plate	1
13	3706000178	Plate	1
14	4679000206	Pad	2
15	4706003144	Plate	2
16	7114140418	Capscrew 0.25" - 20NC x 0.50"	8
17	3706000179	Plate - LH	1
18	3706000180	Plate - RH	1
19	4679000205	Pad	2
20	4706003719	Plate	2
21	7105180850	Capscrew, 0.50"-20NF x 1.00"	8
22	7950180153	Flatwasher, 0.50"	8
23	4706002467	Plate	1
24	7115140650	Capscrew, 0.25"-20NC x 0.75"	4
25	7950140000	Lockwasher, 0.25" ID	4
26	7440030000	Grease Fitting	1
27	7786000008	Screw, 0.50"-20NF x 1.25"	6
28	7660180230	Jambnut	6
29	4706003709	Plate	4
30	4706003721	Plate	4
31	4706003722	Plate	4
32	4706003723	Plate	4
33	4706003724	Plate	4
34	4706003725	Plate	2
35	4706003720	Plate	2
36	7661000019	U-Nut, 0.25" - 20NC	4
37	7209000022	Bushing	1

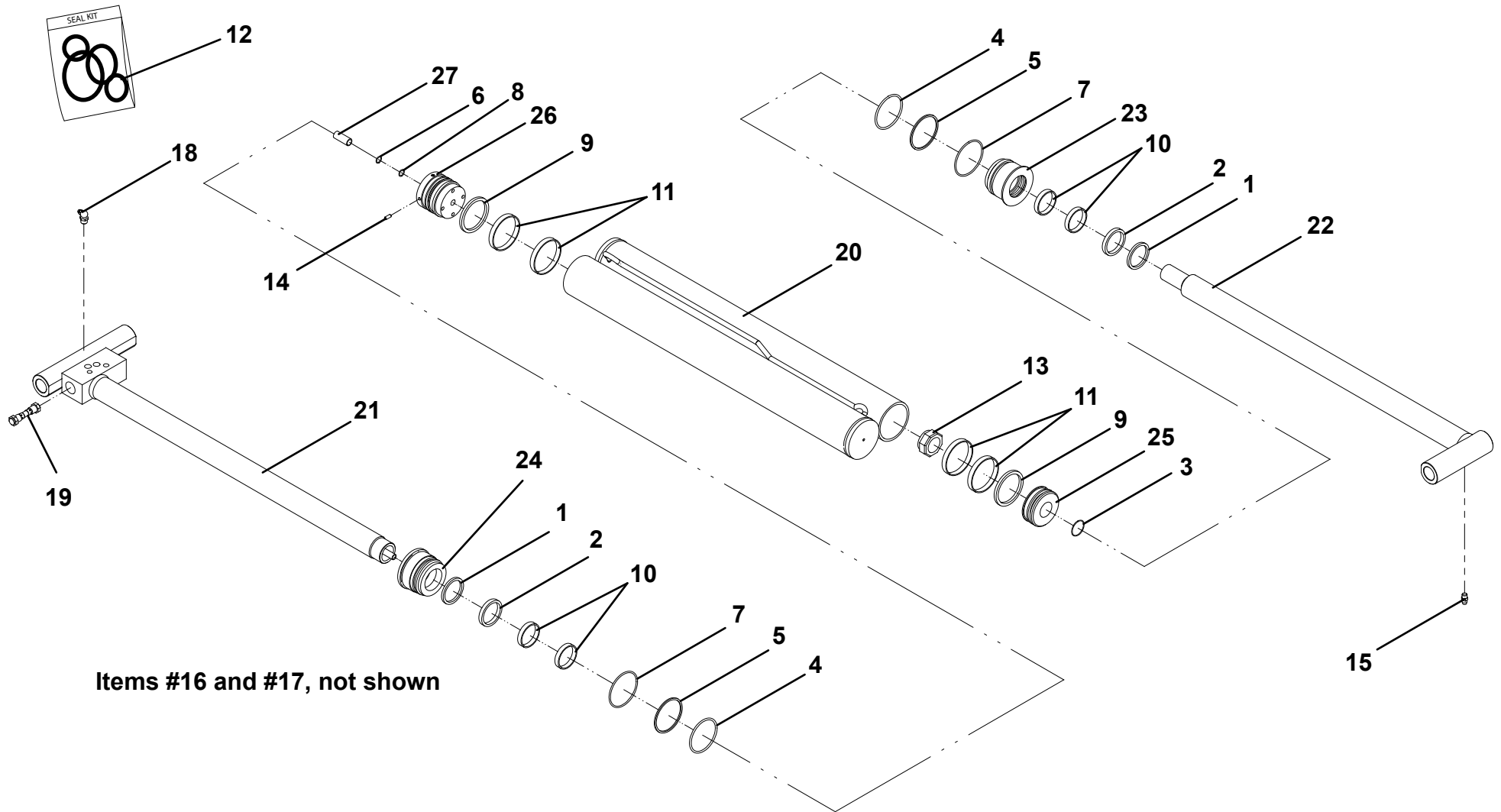
UNDERLIFT ASSEMBLY - 3170000220 - 35,000 LB (STANDARD)



UNDERLIFT EXTENSION CYLINDER ASSEMBLY - 7320000042

ITEM	PART NO.	DESCRIPTION	QTY
1	9796250080	Seal, Wiper	2
2	7019828	Seal	2
3	9796250133	Seal, "O" Ring	1
4	7019846	Seal, "O" Ring	2
5	7019845	Ring, Back-up	2
6	9796250135	Seal, "O" Ring	2
7	7019844	Seal, "O" Ring	2
8	9796250137	Seal, "O" Ring	2
9	9796250138	Seal	2
10	9754250015	Ring, Wear	4
11	9754250049	Ring, Wear	4
12	7577250271	Kit, Seal	1
13	7003212	Locknut	1
14	7003281	Setscrew	4
15	7005348	Grease Fitting	1
16	70050365	Plug, Port	2
17	70021648	Plug, Port	2
18	7440030400	Grease Fitting	1
19	9935250025	Kit, Check Cartridge	1
20	9912250021	Assembly, Tube	1
21	9763250025	Assembly, Rod	1
22	9763250026	Assembly, Rod-Tube	1
23	9553250015	Head	1
24	9553250016	Head	1
25	9698250018	Piston	1
26	9698250019	Piston	1
27	9007250005	Adapter, RT Tube	1

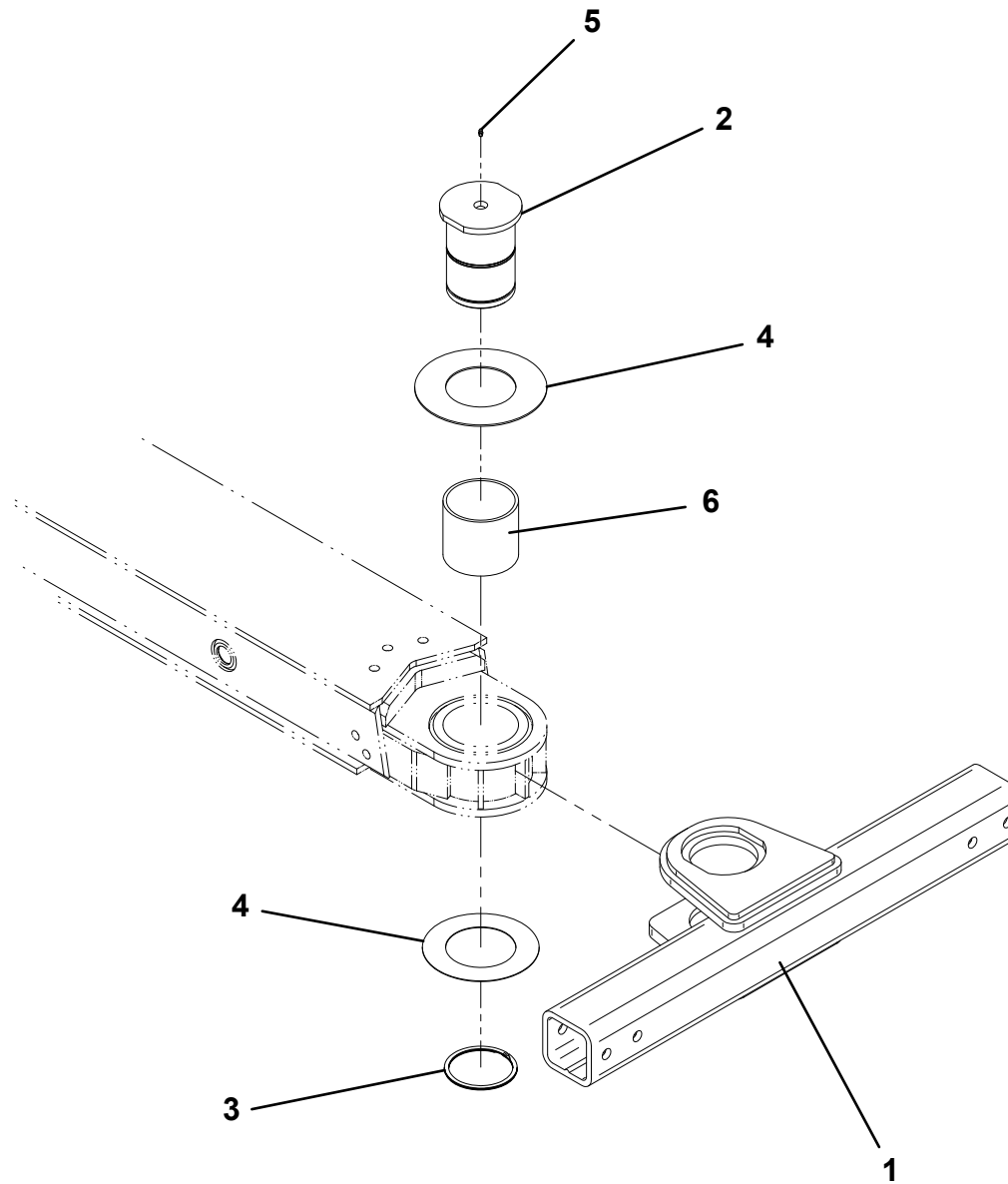
UNDERLIFT EXTENSION CYLINDER ASSEMBLY - 7320000042



CROSSTUBE INSTALLATION

ITEM	PART NO.	DESCRIPTION	QTY
1	3913000094	Crosstube	1
2	4691000242	Pin	1
3	7754000042	Retaining Ring	1
4	3577000018	Shim	1
5	7440030000	Grease Fitting	1
6	7209000022	Bushing	1

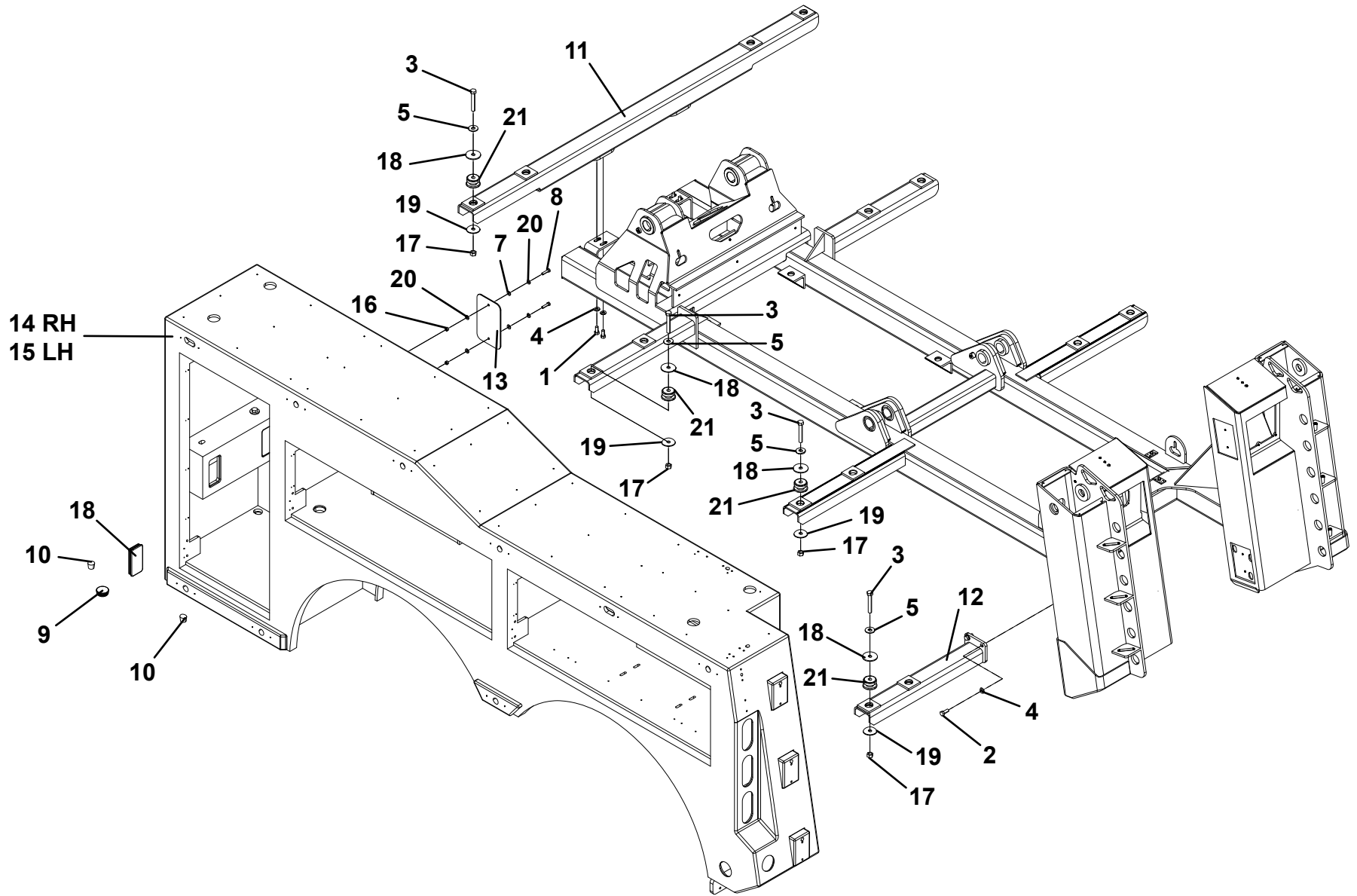
CROSSTUBE INSTALLATION



CROSSTUBE INSTALLATION

ITEM	PART NO.	DESCRIPTION	QTY
1	0641809	Capscrew, 0.50" - 13NC x 1.13"	4
2	0641810	Capscrew, 0.50" - 13NC x 1.25"	6
3	0642032	Capscrew, 0.63" - 11NC x 4.00"	16
4	4711800	Washer, 0.25" ID	10
5	4752000	Washer, 0.63" ID	16
6	1001151789	Plug	3
7	1001166974	Washer, 0.38" ID	2
8	1001168993	Capscrew, 0.38" - 16NC x 1.50"	2
9	1001169078	Plug	4
10	1001173847	Plug	4
11	1001186935	Mount	1
12	1001186968	Mount	2
13	1001190557	Panel	1
14	1001227958	Body, RH	1
15	1001227959	Body, LH	1
16	7660162601	Locknut, 0.38" - 16NC	2
17	7660200001	Nut, 0.63" - 11NC	16
18	7701000048	Plug	4
19	7949000019	Washer, Head	16
20	7949000020	Washer, Tail	16
21	7950160143	Flatwasher, 0.38" ID	4
22	7636000008	Mount	16

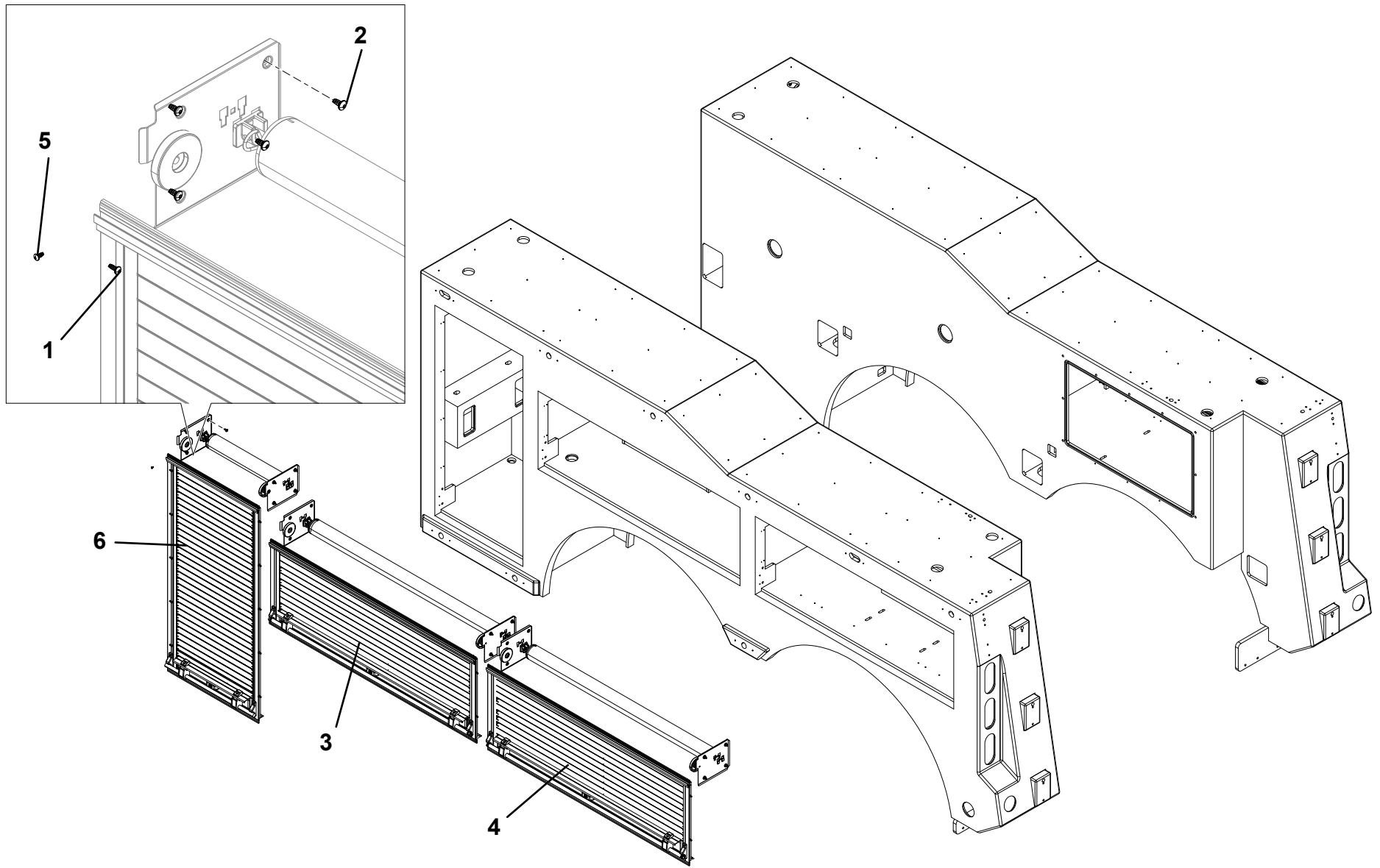
CROSSTUBE INSTALLATION



BODY DOOR INSTALLATION

ITEM	PART NO.	DESCRIPTION	QTY
1	1001192958	Screw, #10 x 0.50"	36
2	1001195257	Screw, 0.25" x 0.50"	48
3	1001197160	Door	2
4	1001197161	Door	2
5	1001198602	Screw, #8 x 0.38"	12
6	1001228144	Door	2

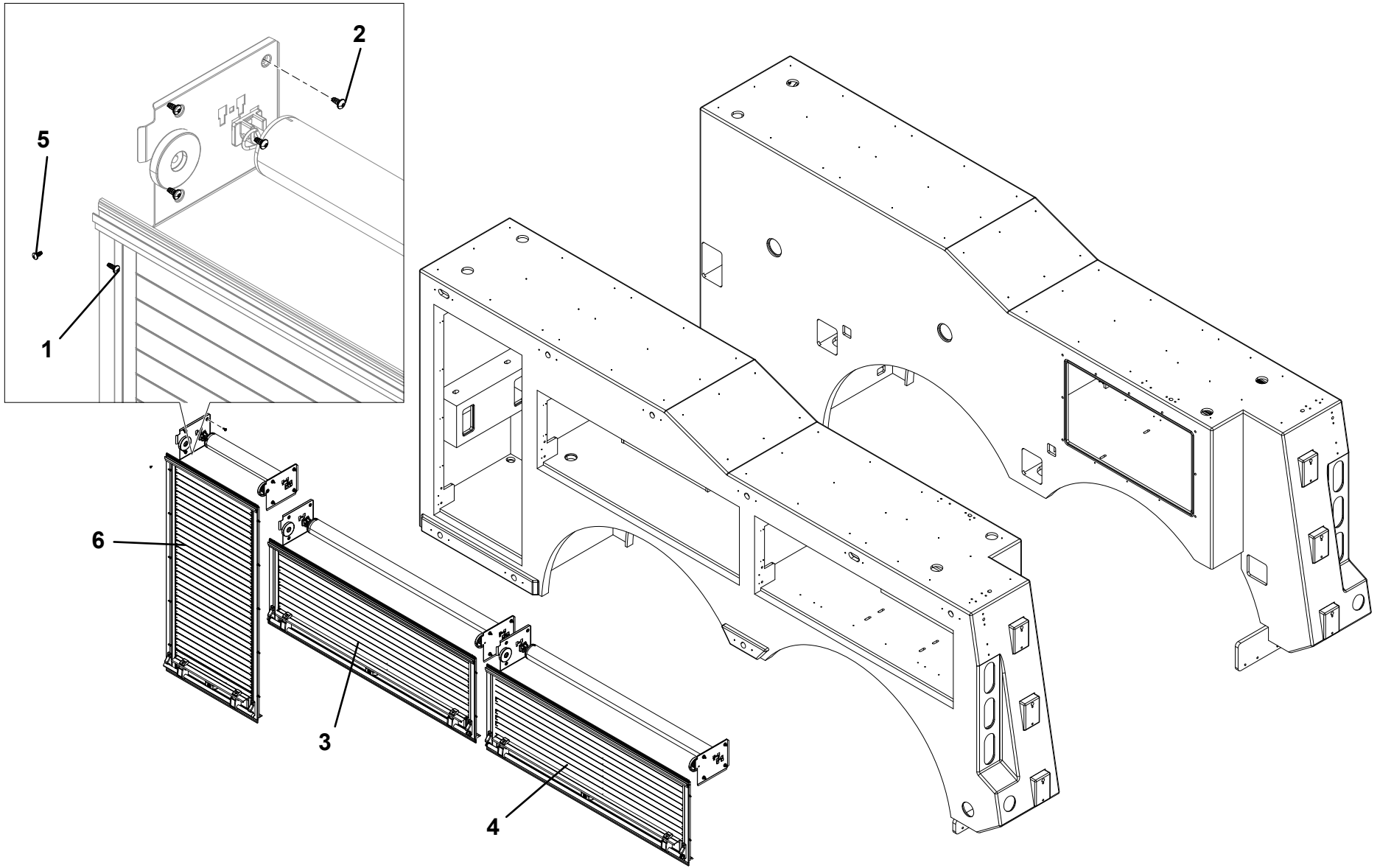
BODY DOOR INSTALLATION



BODY DOOR INSTALLATION

ITEM	PART NO.	DESCRIPTION	QTY
1	1001192958	Screw, #10 x 0.50"	36
2	1001195257	Screw, 0.25" x 0.50"	48
3	1001186989	Door	2
4	1001186990	Door	2
5	1001198602	Screw, #8 x 0.38"	12
6	1001228144	Door	2

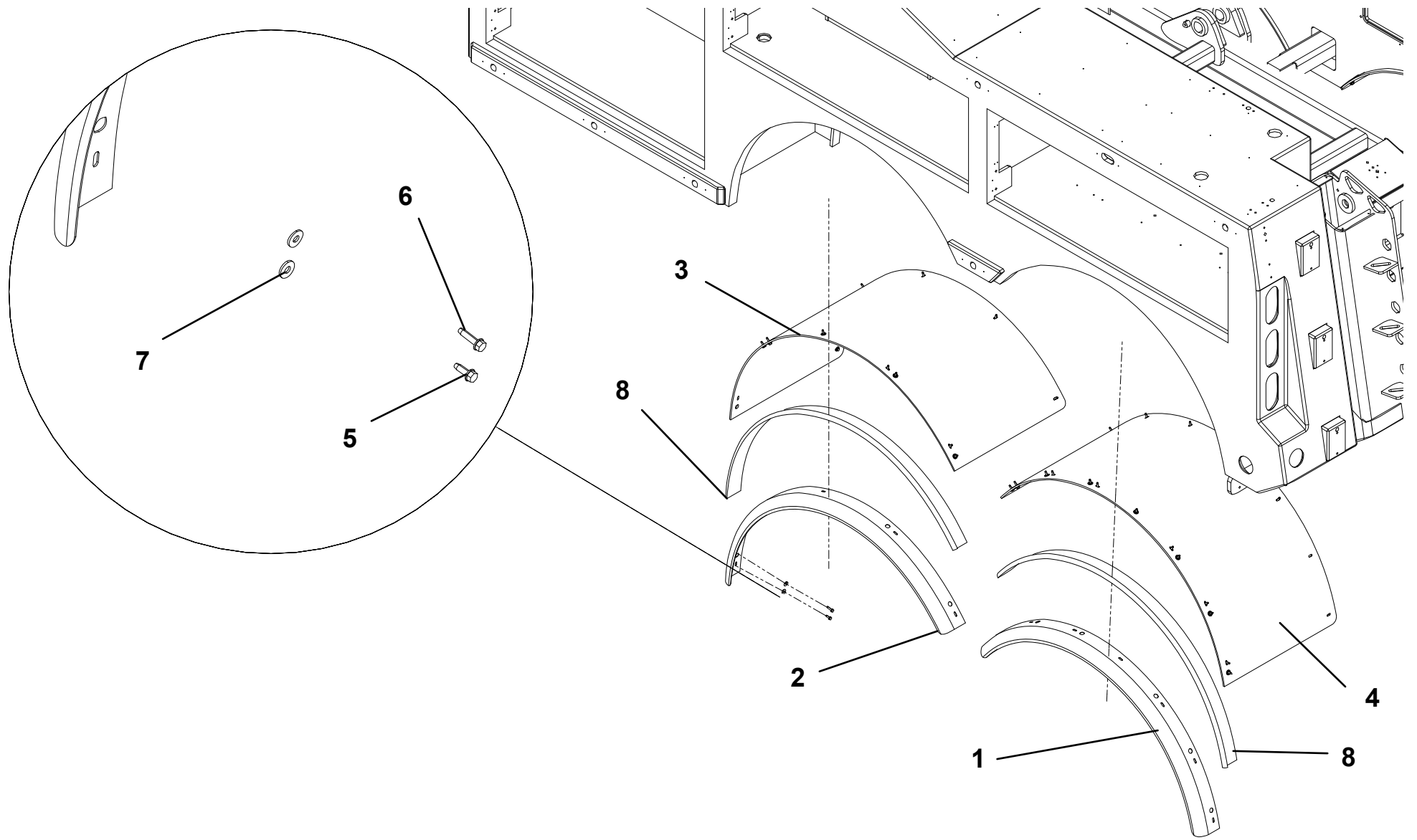
BODY DOOR INSTALLATION



FENDER INSTALLATION - TANDEM

ITEM	PART NO.	DESCRIPTION	QTY
1	1001163358	Fender, Rear	2
2	1001186584	Fender, Front	2
3	1001186606	Liner, Front	2
4	1001186608	Liner, Rear	2
5	7790141251	Screw, 0.25" x 0.75"	24
6	7790141651	Screw, 0.25" x 1.00"	42
7	7950140163	Flatwasher, 0.25" ID	66
8	1001167358	Mould	1

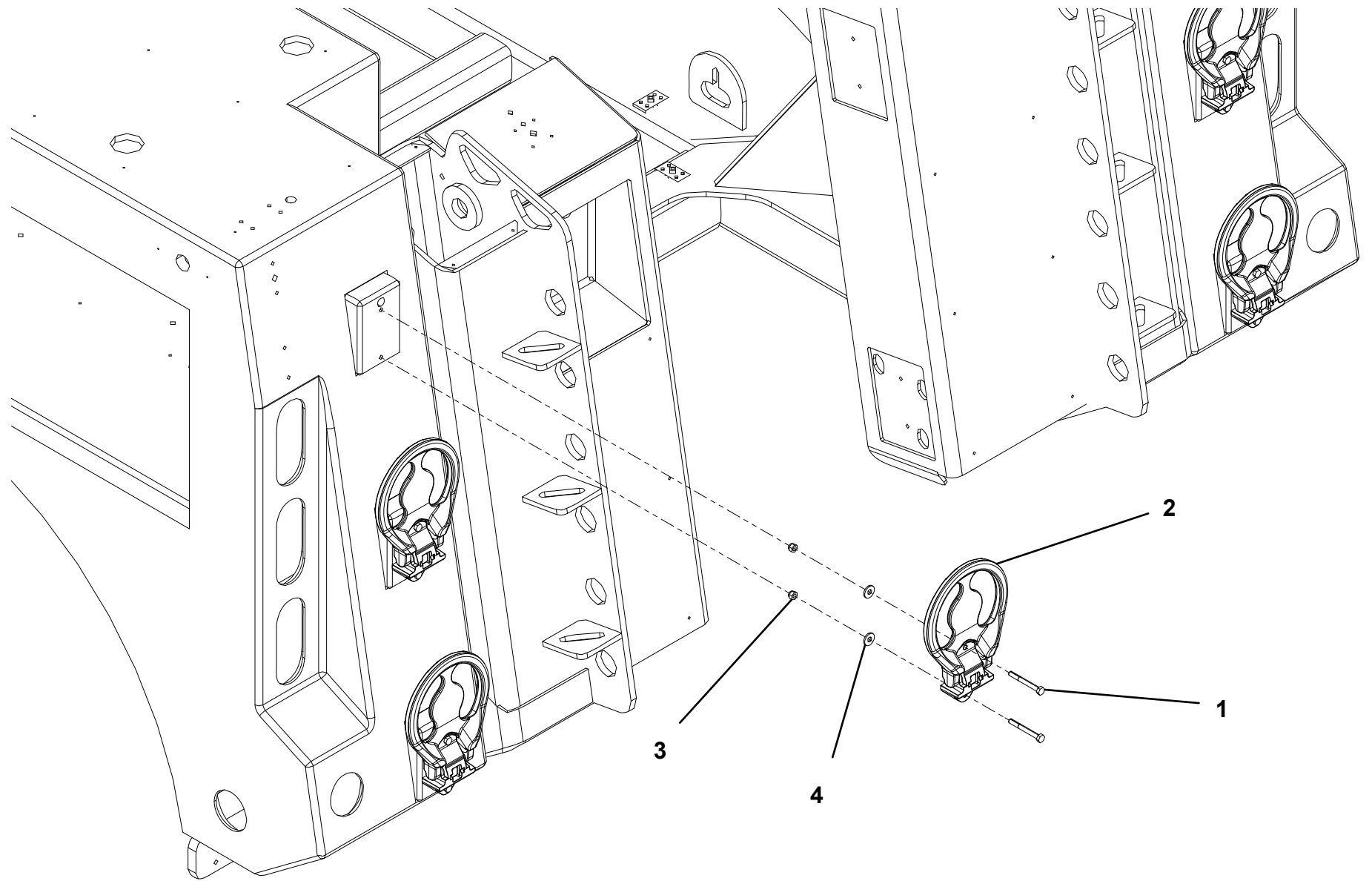
FENDER INSTALLATION - TANDEM



STEP INSTALLATION

ITEM	PART NO.	DESCRIPTION	QTY
1	1001167455	Scew, 0.31"-18NC x 2.75"	12
2	1001167456	Step	6
3	7660152601	Locknut, 0.31" - 18NC	12
4	7950150153	Flatwasher, 0.31" ID	12

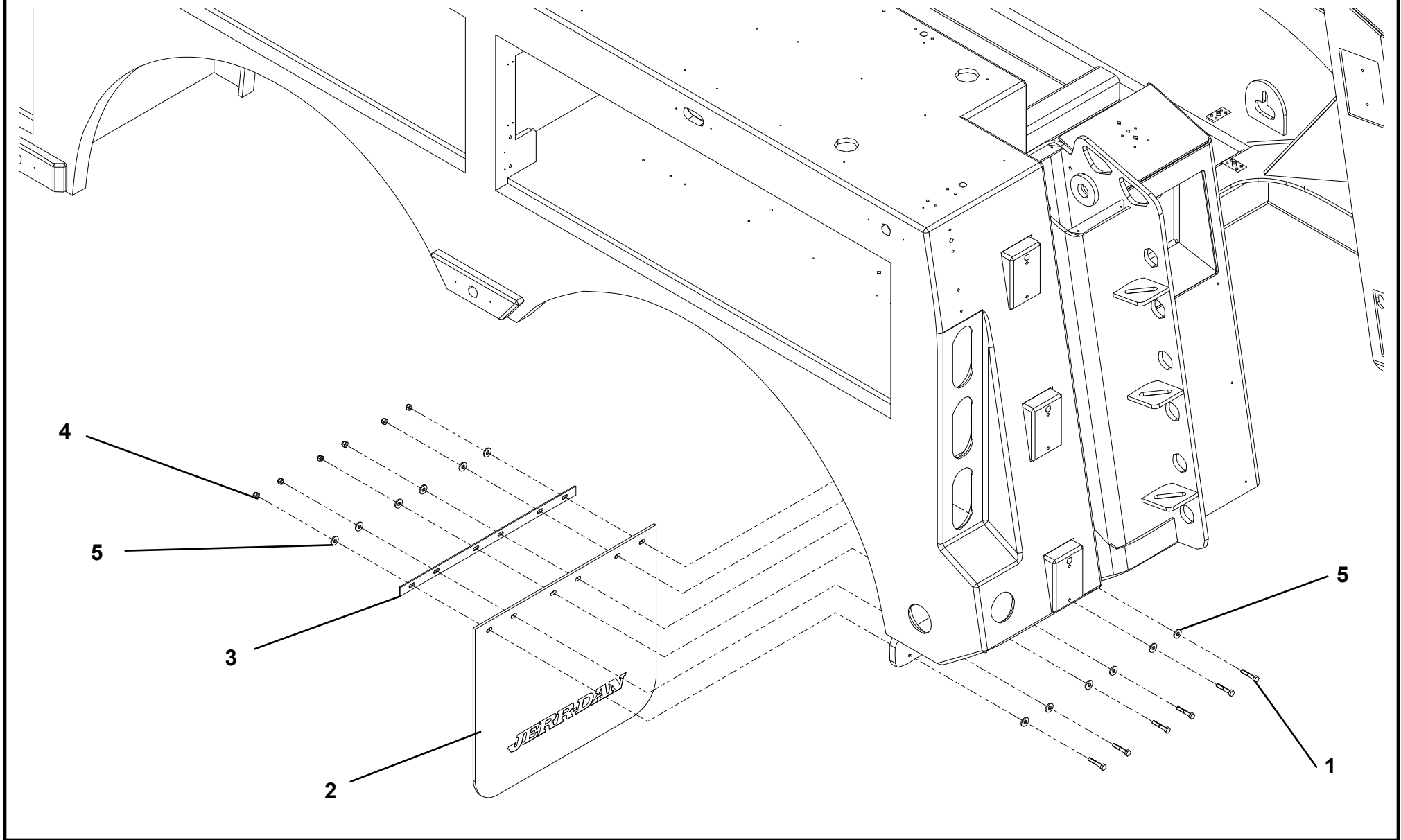
STEP INSTALLATION



MUDFLAP INSTALLATION - TANDEM

ITEM	PART NO.	DESCRIPTION	QTY
1	0641514	Screw, 0.31"-18NC x 1.75"	12
2	1001174051	Mud Flap	2
3	4706001815	Plate	2
4	7660152601	Locknut, 0.31"-18NC	12
5	7950150153	Flatwasher, 0.31"	24

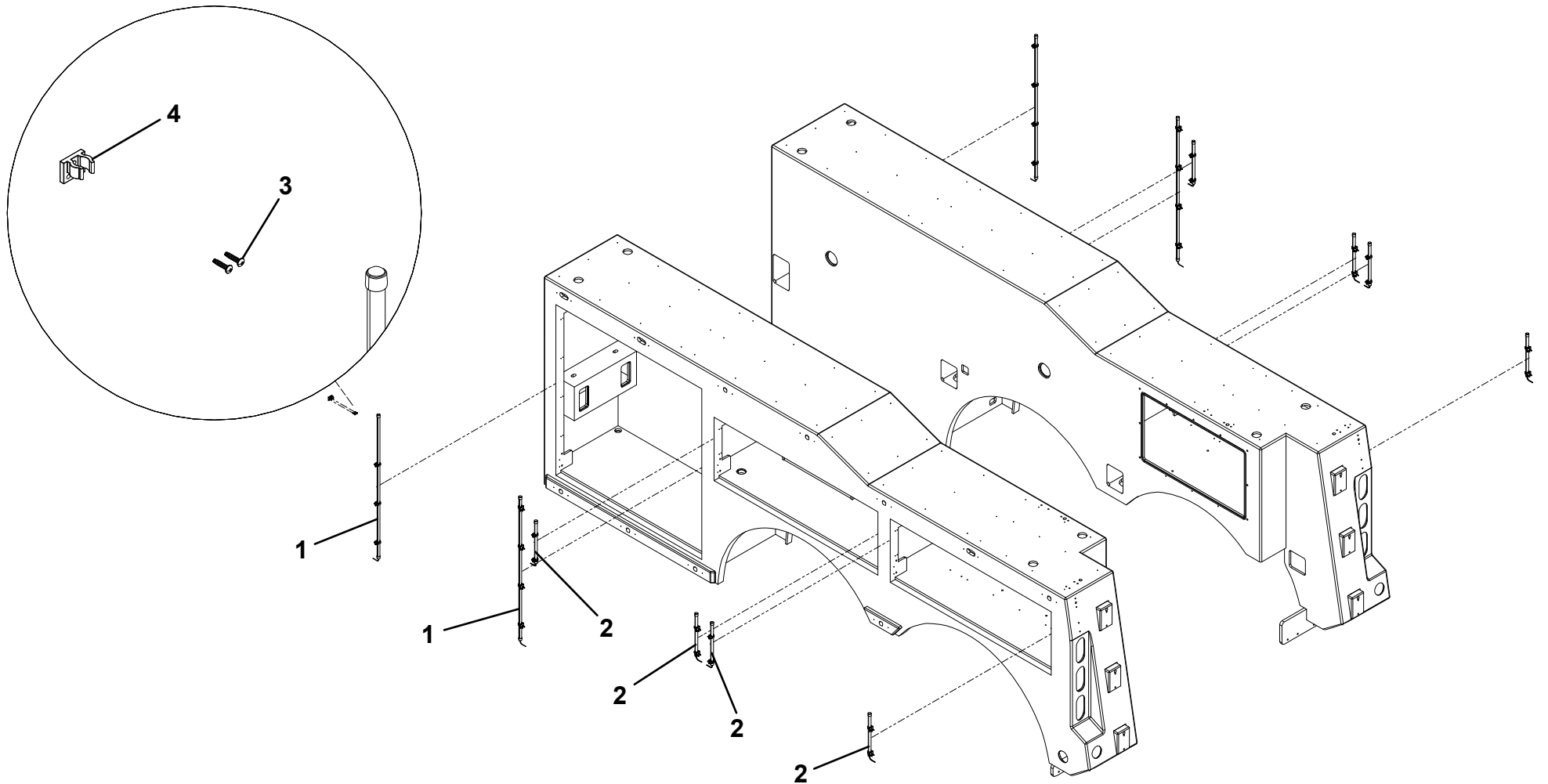
MUDFLAP INSTALLATION - TANDEM



COMPARTMENT LIGHT INSTALLATION - TANDEM

ITEM	PART NO.	DESCRIPTION	QTY
1	1001154527	Lamp, 40"	4
2	1001166549	Lamp, 12"	8
3	1001196552	Screw, #8 x 0.75"	64
4	1001199081	Mount	32

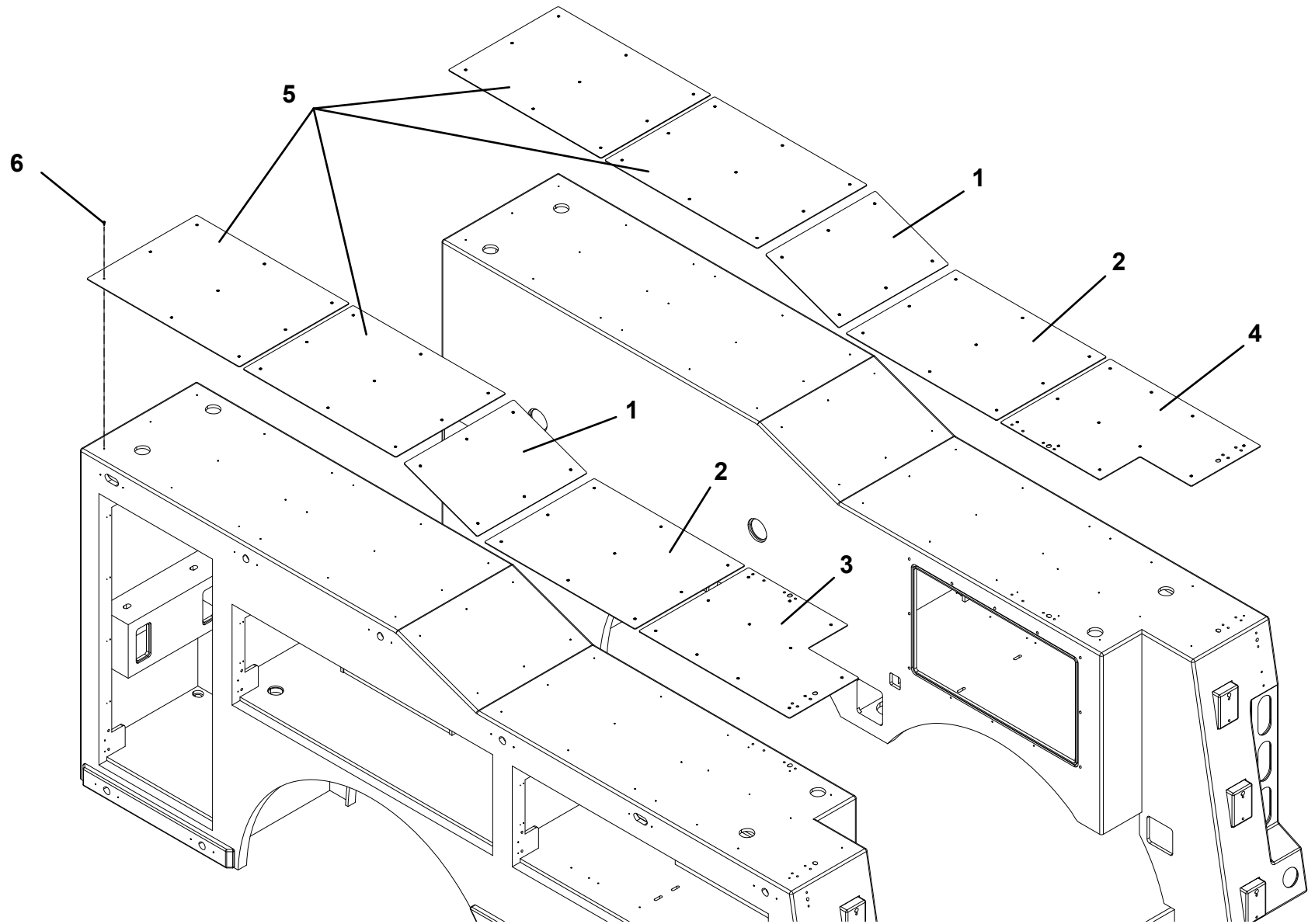
COMPARTMENT LIGHT INSTALLATION - TANDEM



MARKER LIGHT INSTALLATION

ITEM	PART NO.	DESCRIPTION	QTY
1	1001192958	Screw, #10 x 0.50"	36
2	7590000358	Light, Amber	16
3	7590000359	Light, Red	2
4	7736000001	Reflector	2

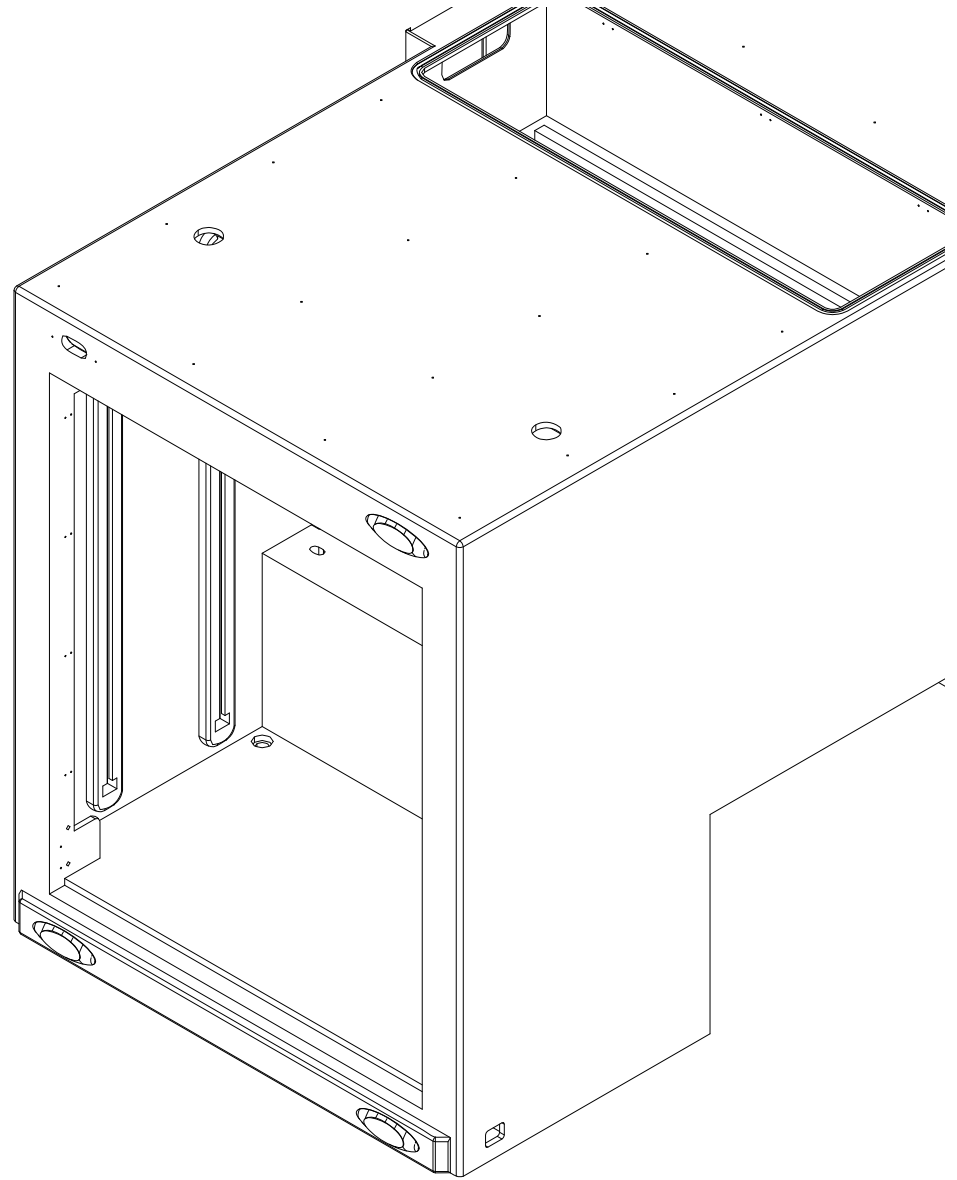
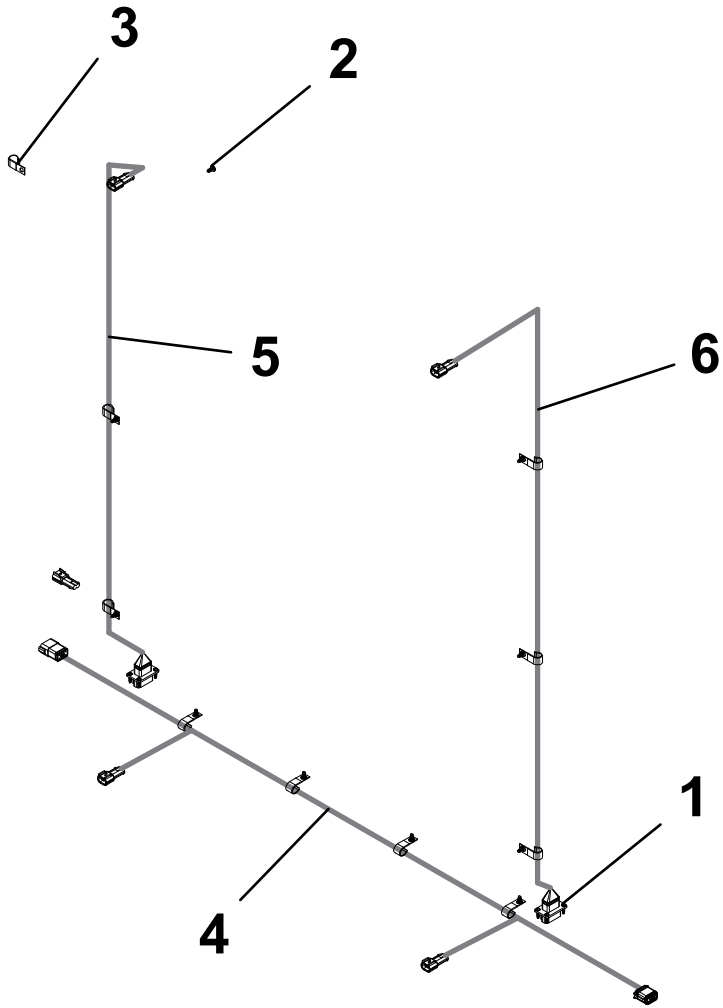
MARKER LIGHT INSTALLATION



51" TOOLBOX HARNESS INSTALLATION

ITEM	PART NO.	DESCRIPTION	QTY
1	1001195257	Screw 0.25" x 0.50"	20
2	1001196552	Screw, #8 x 0.75"	16
3	7280000006	Clip	20
4	1001188904	Harness	2
5	1001188920	Harness	2
6	1001188921	Harness	2

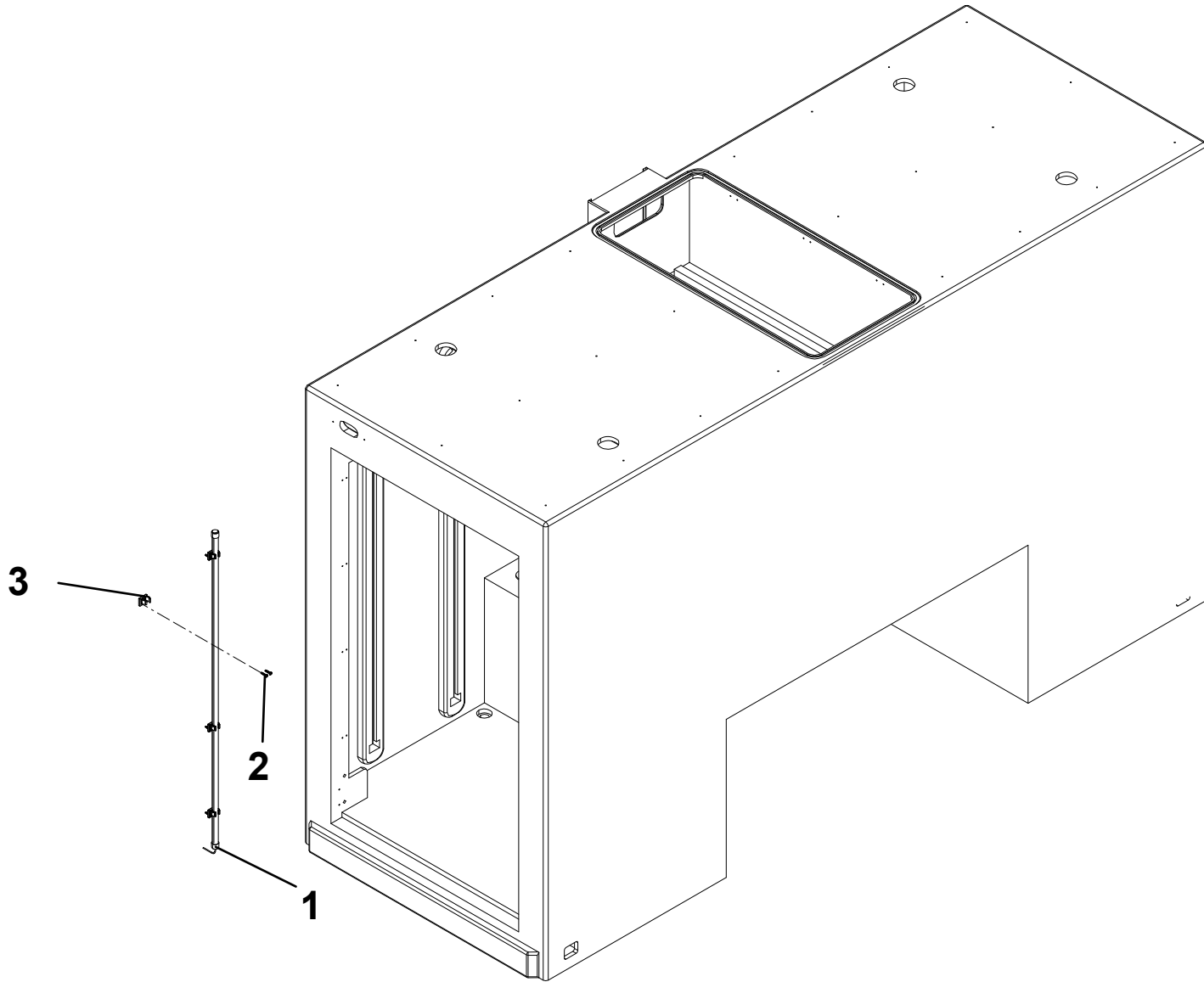
51" TOOLBOX HARNESS INSTALLATION



39" TOOLBOX COMPARTMENT LIGHTS INSTALLATION

ITEM	PART NO.	DESCRIPTION	QTY
1	1001154527	Lamp	4
2	1001196552	Screw, #8 x 0.75"	32
3	1001199081	Mount	16

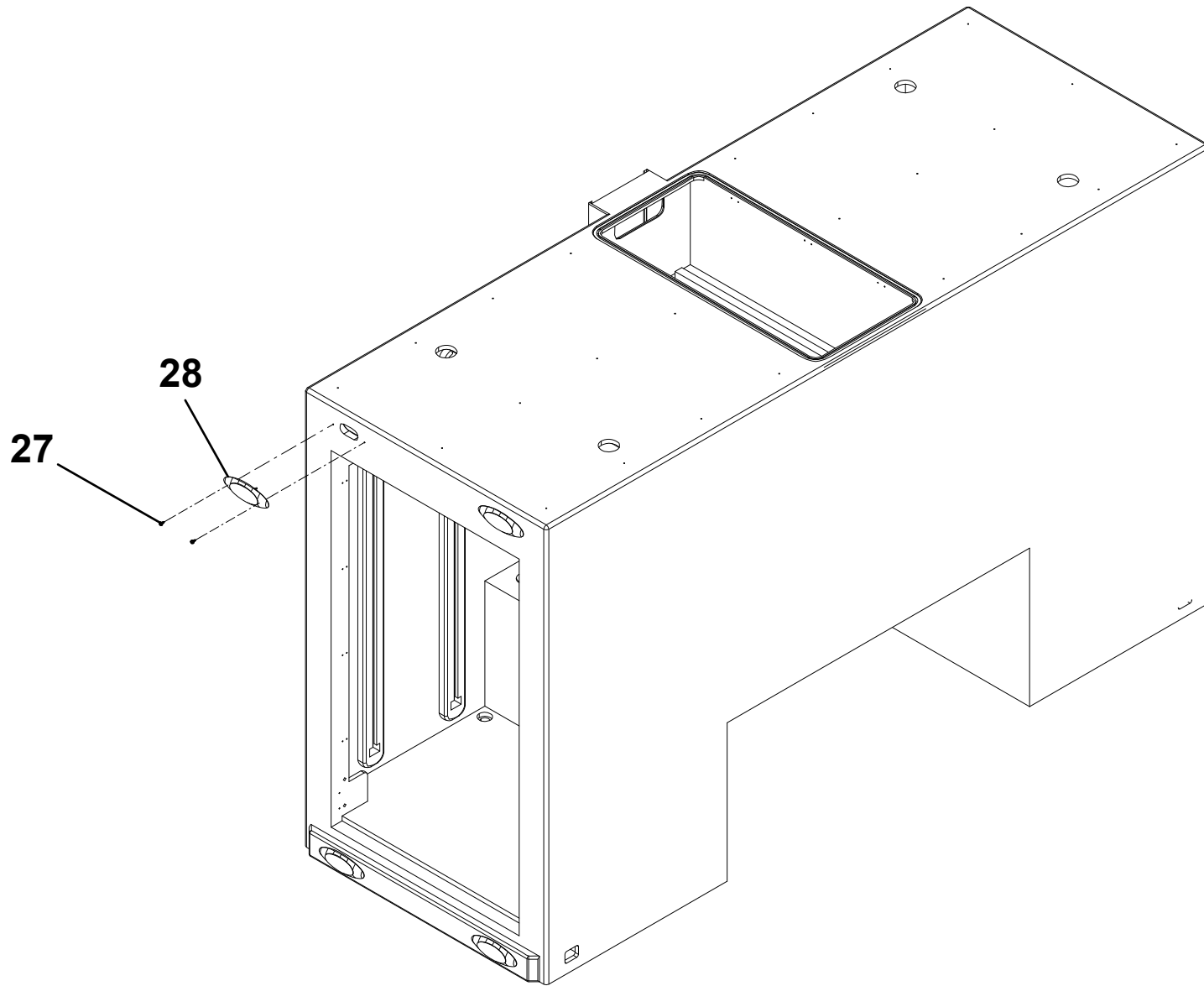
39" TOOLBOX COMPARTMENT LIGHTS INSTALLATION



39" TOOLBOX MARKER LIGHT INSTALLATION

ITEM	PART NO.	DESCRIPTION	QTY
1	1001192958	Screw, #10 x 0.50"	16
2	7590000358	Light	8

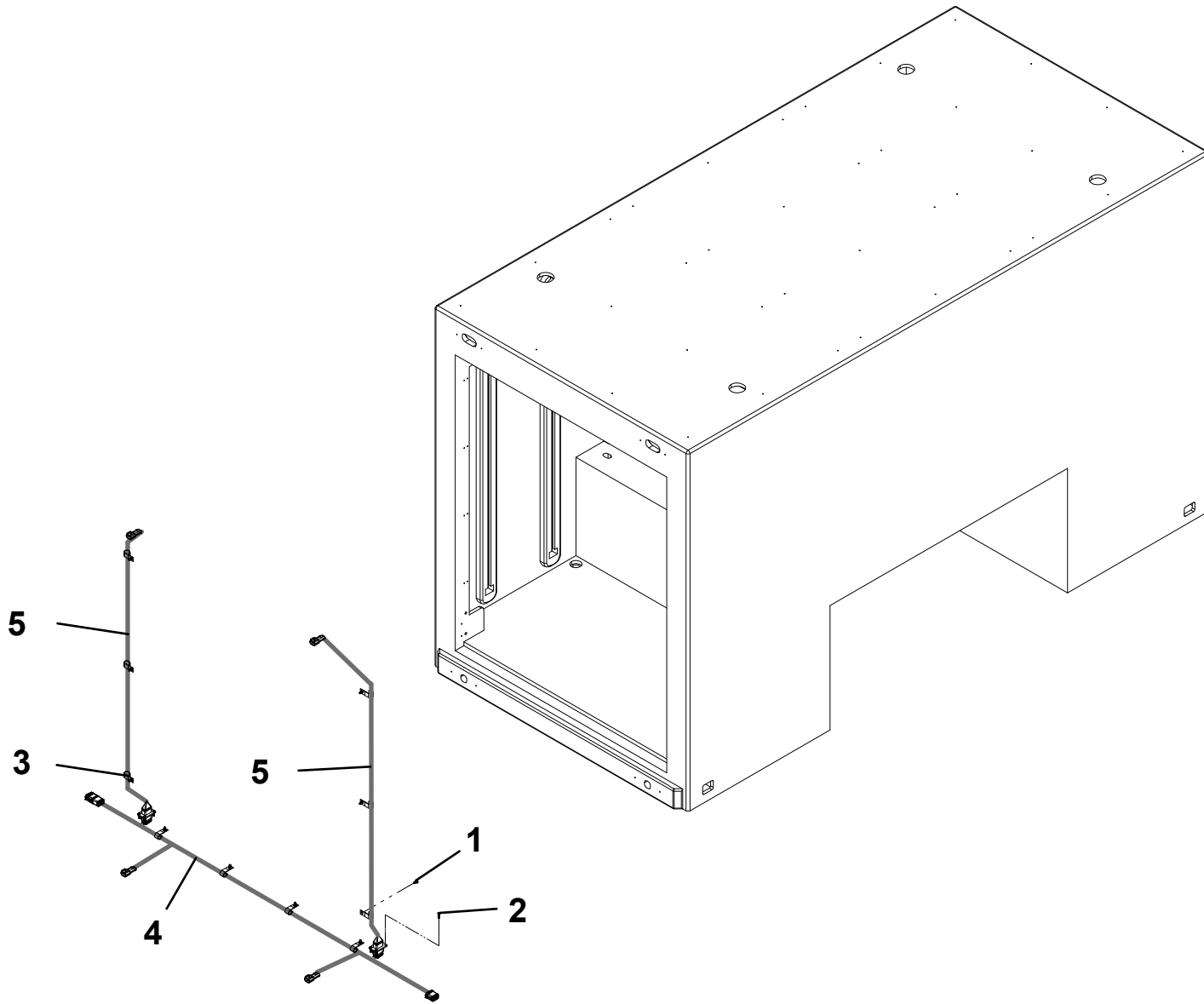
39" TOOLBOX MARKER LIGHT INSTALLATION



49" TOOLBOX HARNESS INSTALLATION

ITEM	PART NO.	DESCRIPTION	QTY
1	1001195257	Screw, 0.25" x 0.50"	20
2	1001196552	Screw, #8 x 0.75"	16
3	7280000006	Clip	20
4	1001209050	Harness	2
5	1001209056	Harness	4

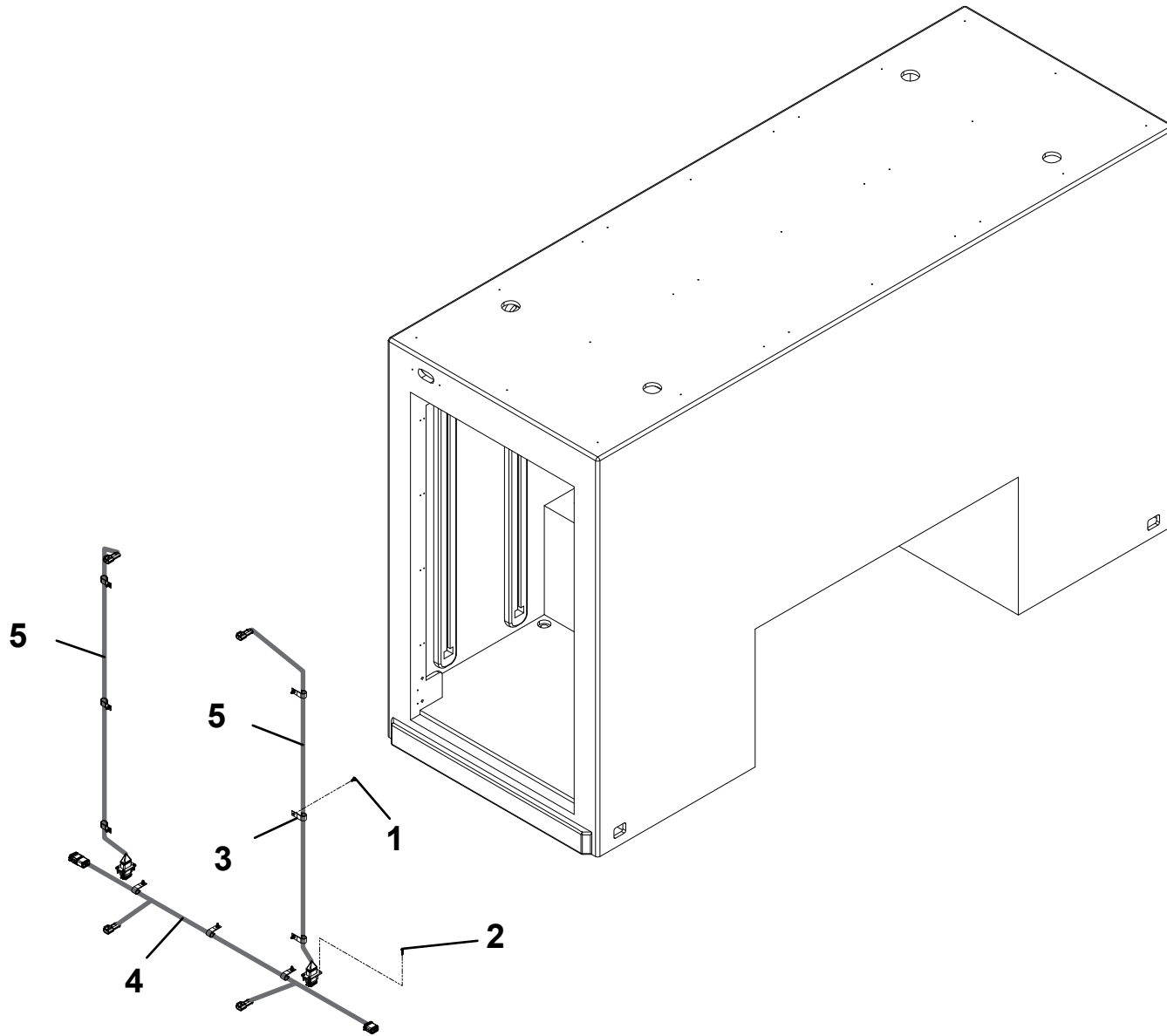
49" TOOLBOX HARNESS INSTALLATION



37" TOOLBOX HARNESS INSTALLATION

ITEM	PART NO.	DESCRIPTION	QTY
1	1001195257	Screw, 0.25" x 0.50"	18
2	1001196552	Screw, #8 x 0.75"	16
3	7280000006	Clip	18
4	1001188919	Harness	2
5	1001188921	Harness	4

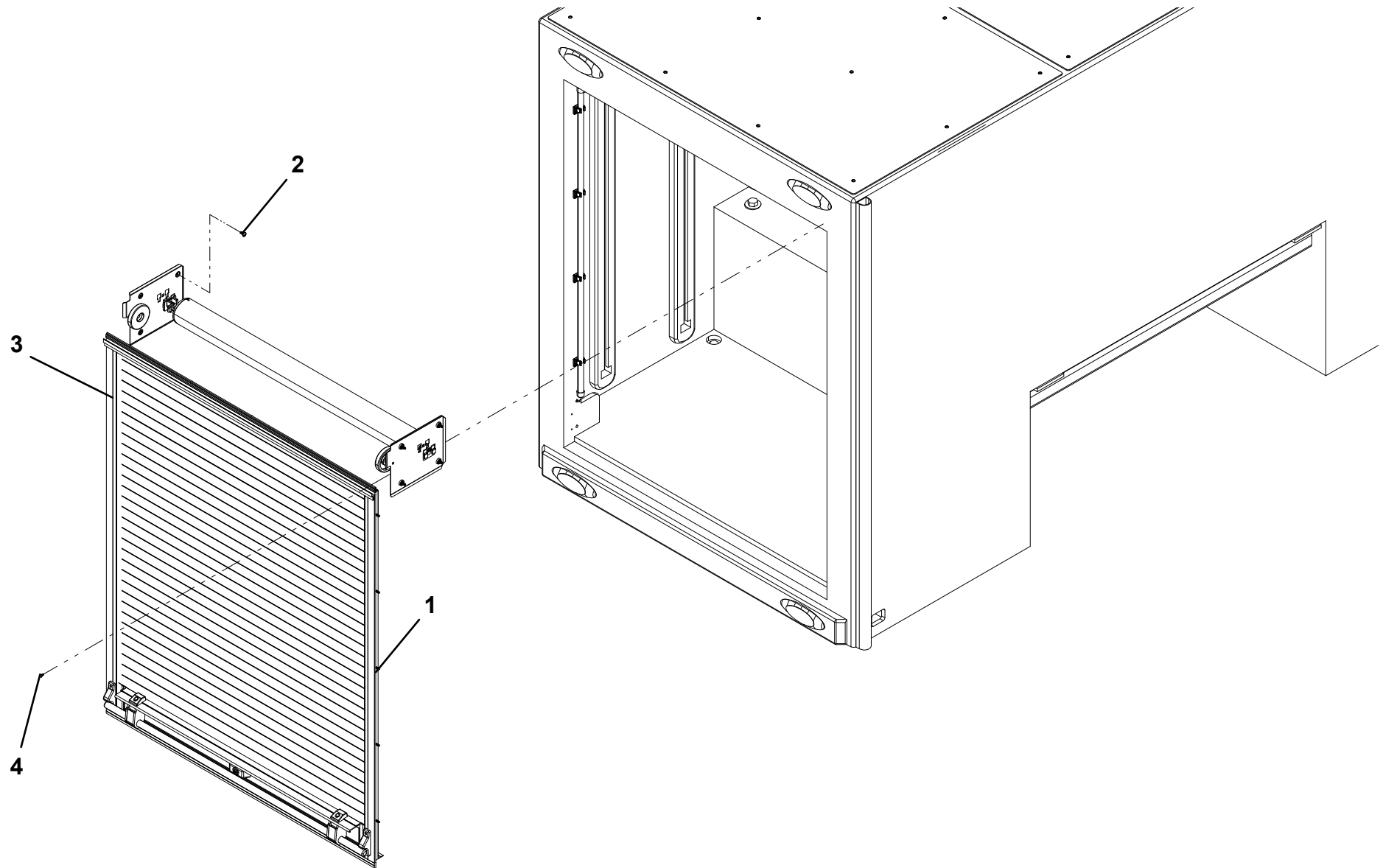
37" TOOLBOX HARNESS INSTALLATION



DOOR INSTALLATION - 51" AND 49" TUNNEL TOOLBOX

ITEM	PART NO.	DESCRIPTION	QTY
1	1001192958	Screw, #10 X 0.50"	28
2	1001195257	Screw, 0.25" X 0.50"	16
3	1001197158	Door, 48.10" X 39.80"	2
4	1001198602	Screw, #8 X 0.38"	8

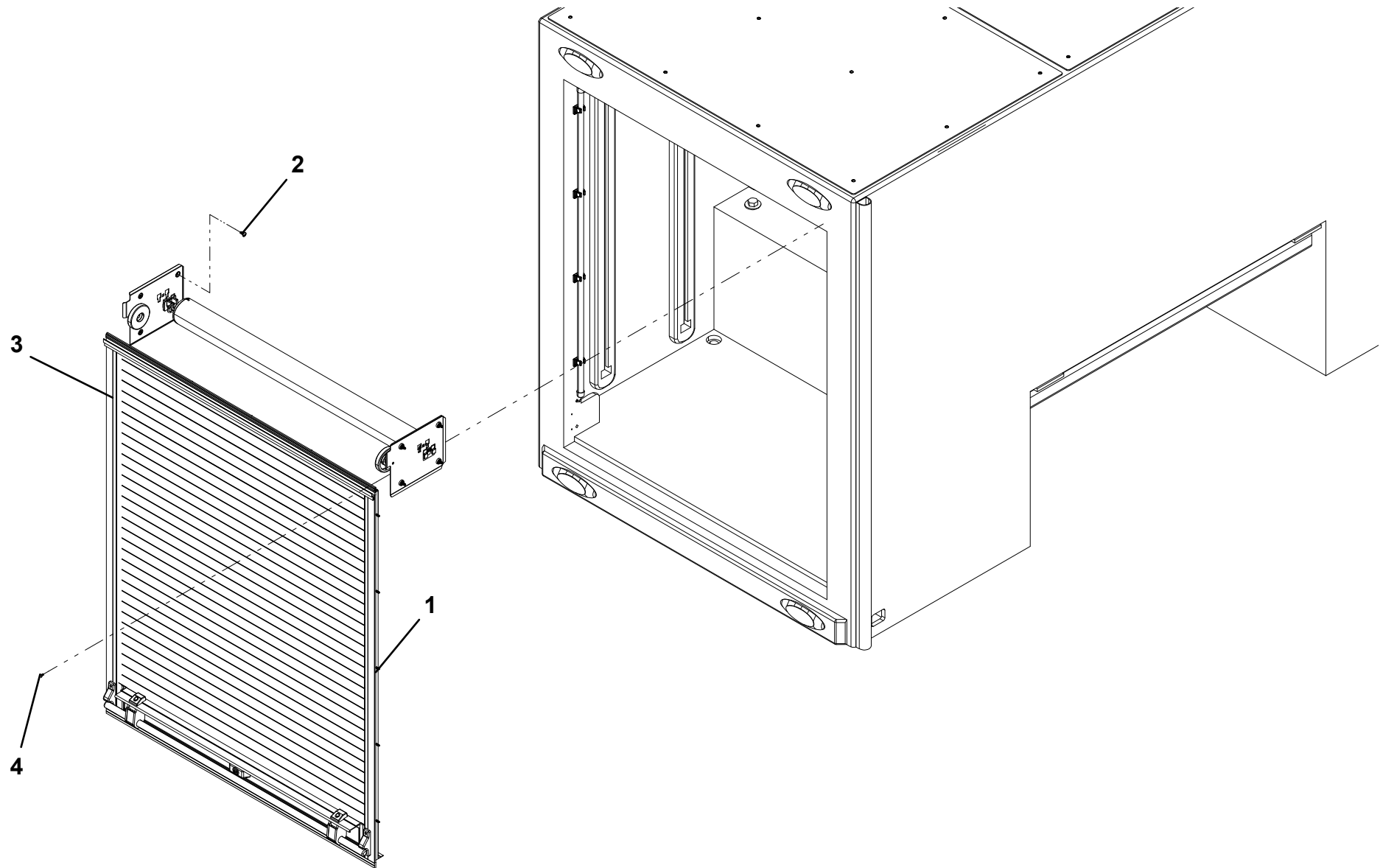
DOOR INSTALLATION - 51" AND 49 TUNNEL TOOLBOX



DOOR INSTALLATION - 51" AND 49" TUNNEL TOOLBOX

ITEM	PART NO.	DESCRIPTION	QTY
1	1001192958	Screw, #10 X 0.50"	28
2	1001195257	Screw, 0.25" X 0.50"	16
3	1001186987	Door, 48.10" X 39.80"	2
4	1001198602	Screw, #8 X 0.38"	8

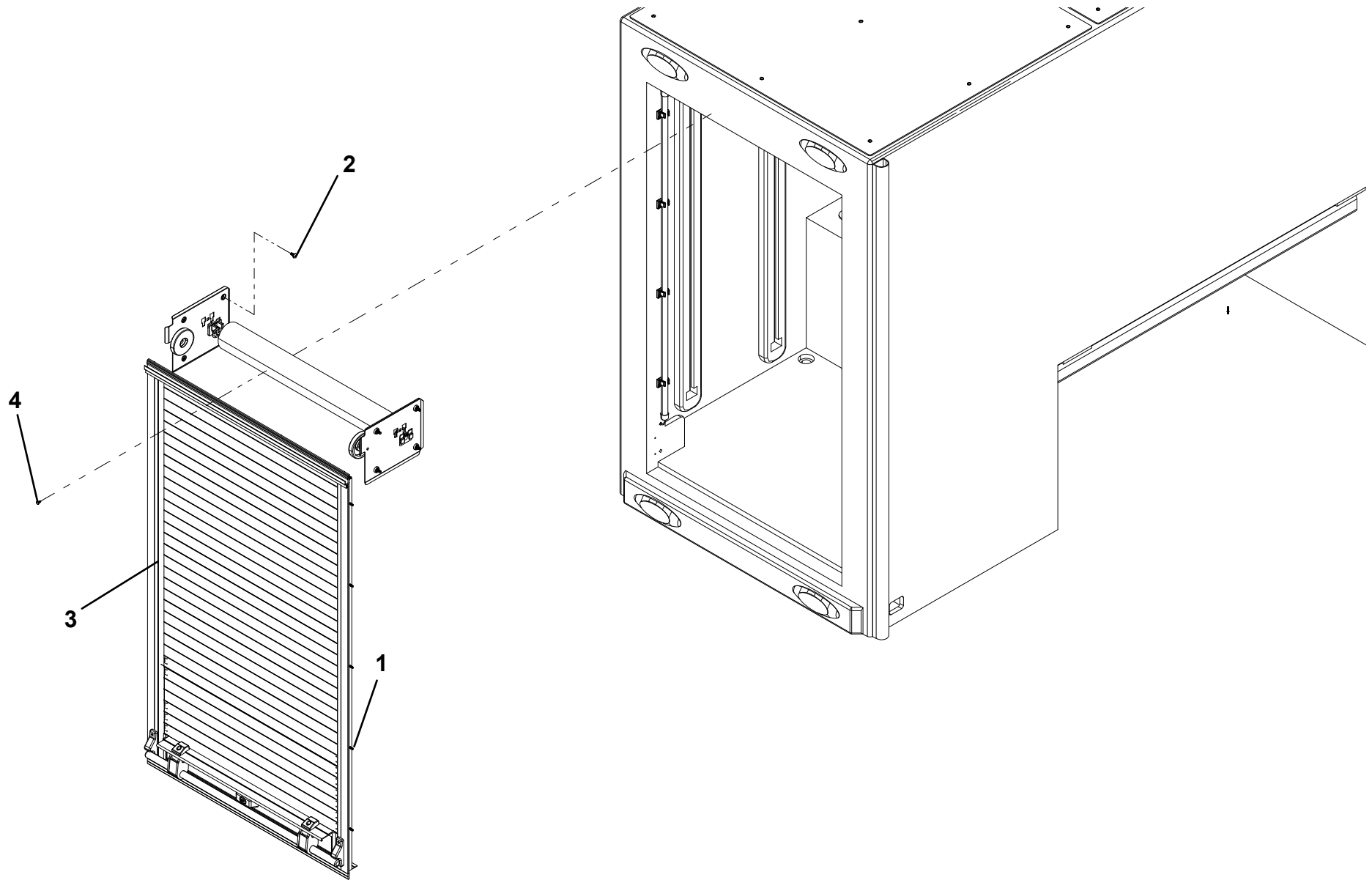
DOOR INSTALLATION - 51" AND 49 TUNNEL TOOLBOX



DOOR INSTALLATION - 39" AND 37" TUNNEL TOOLBOX

ITEM	PART NO.	DESCRIPTION	QTY
1	1001192958	Screw, #10 X 0.50"	28
2	1001195257	Screw, 0.25" X 0.50"	16
3	1001197181	Door, 48.10" X 27.80"	2
4	1001198602	Screw, #8 X 0.38"	8

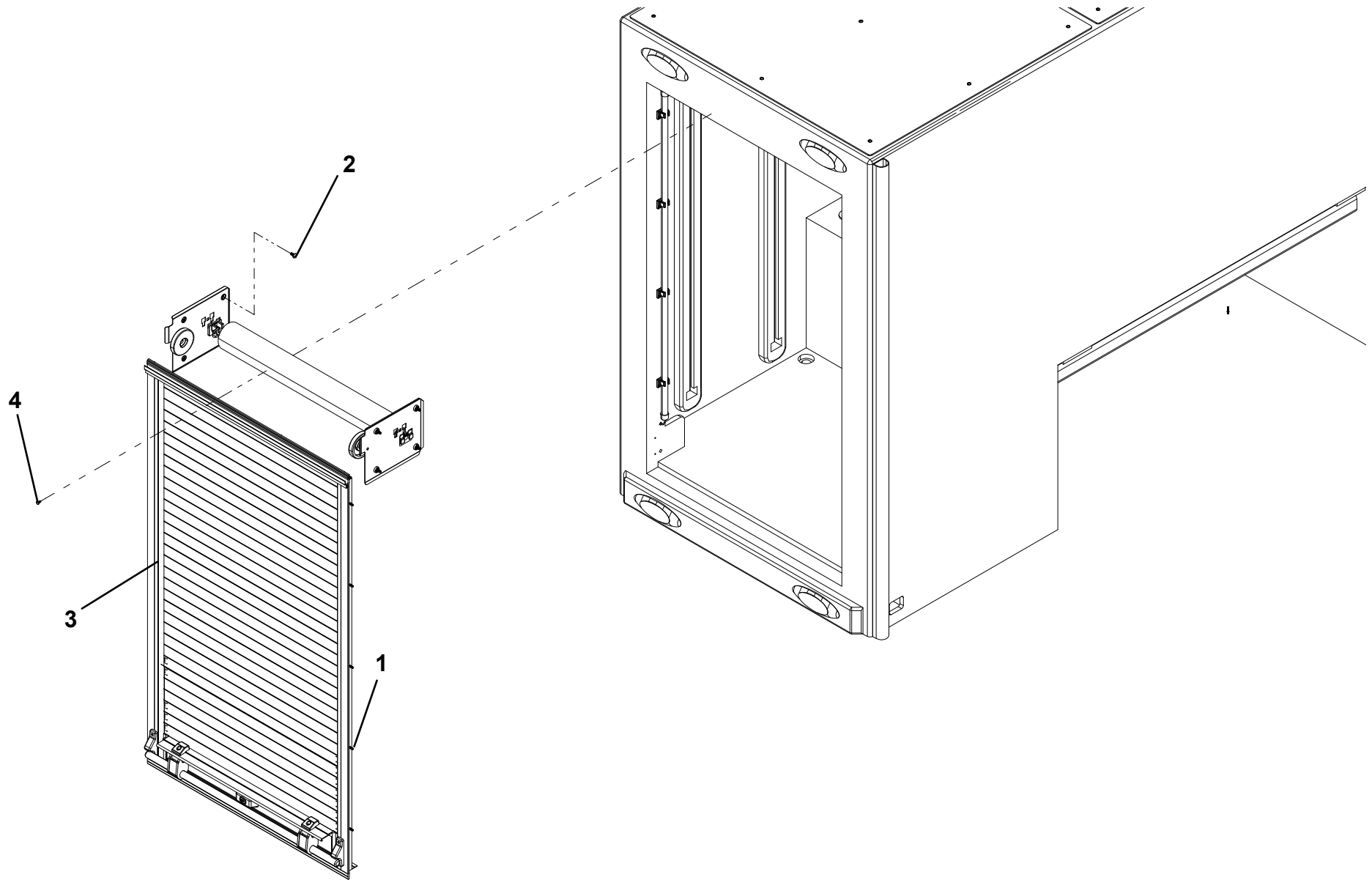
DOOR INSTALLATION - 39" AND 37" TUNNEL TOOLBOX



DOOR INSTALLATION - 39" AND 37" TUNNEL TOOLBOX

ITEM	PART NO.	DESCRIPTION	QTY
1	1001192958	Screw, #10 X 0.50"	28
2	1001195257	Screw, 0.25" X 0.50"	16
3	1001186986	Door, 48.10" X 27.80"	2
4	1001198602	Screw, #8 X 0.38"	8

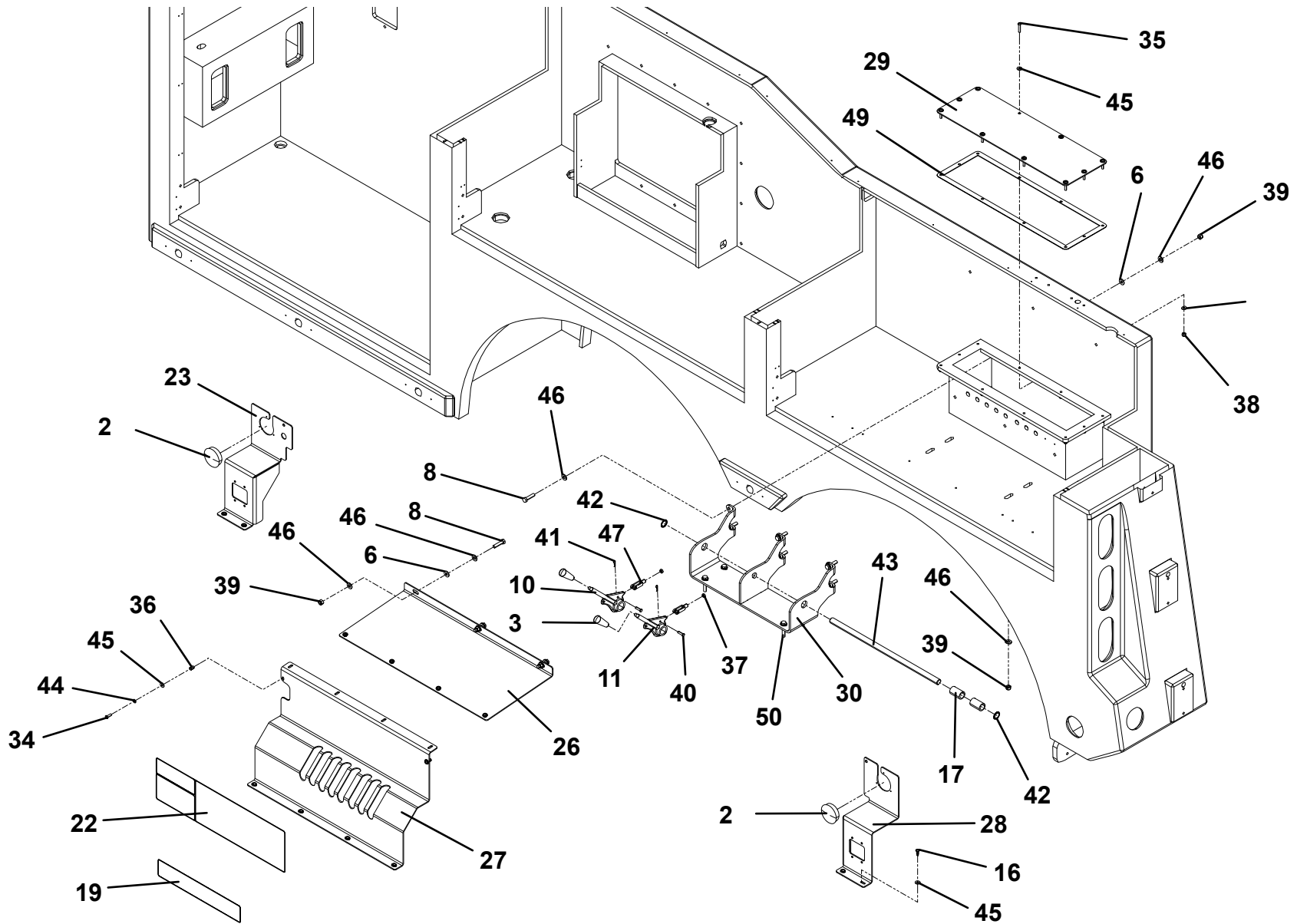
DOOR INSTALLATION - 39" AND 37" TUNNEL TOOLBOX

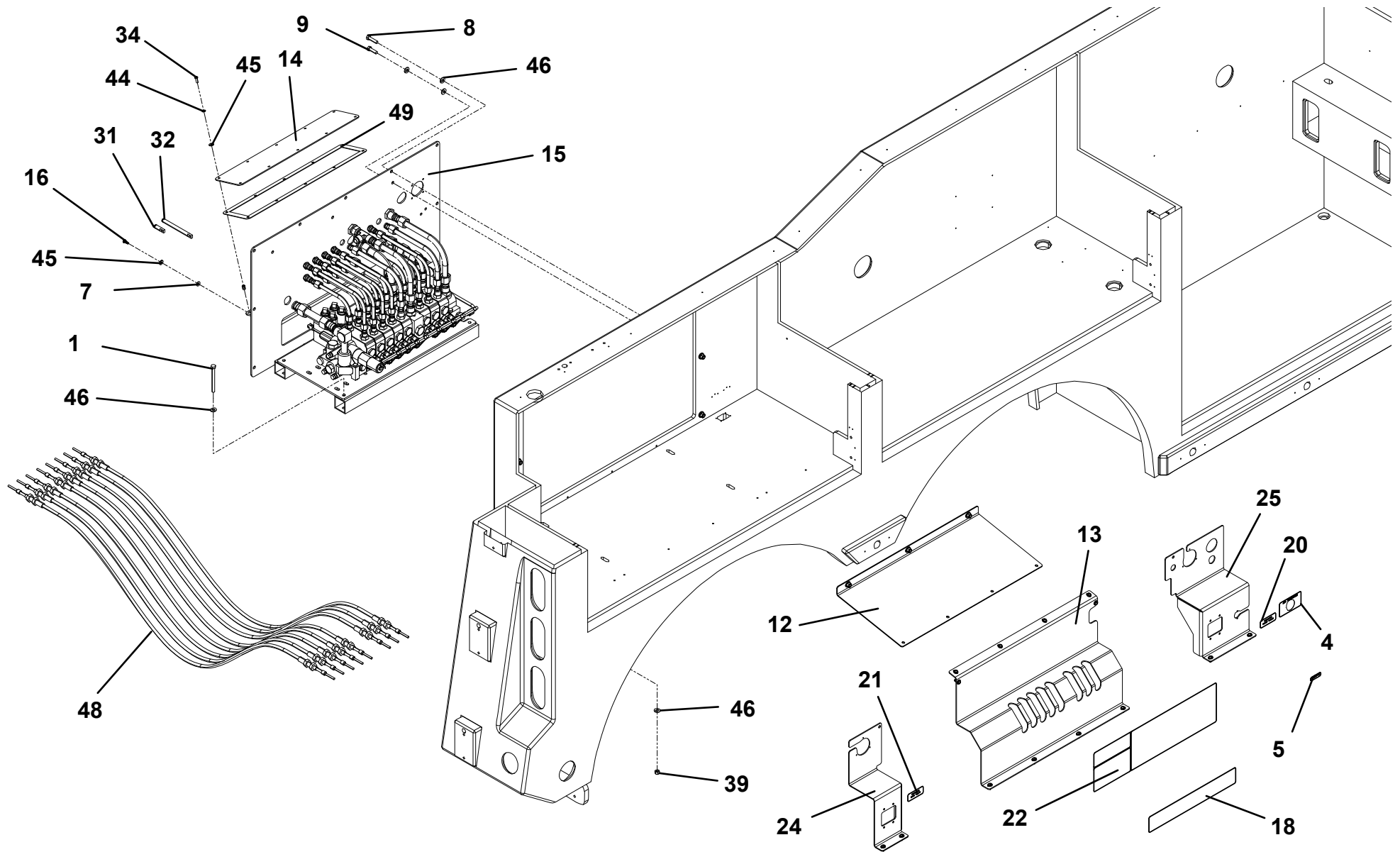


CONTROL INSTALLATION - 8 SECTION - 3 SOLENOID

ITEM	PART NO.	DESCRIPTION	QTY	ITEM	PART NO.	DESCRIPTION	QTY
1	641632	Capscrew, 0.38"-16 X 4.00"	4	40	7690141200	Pin	16
2	3520064	Plug	2	41	7691000075	Pin	16
3	1001130491	Control Knob Ball	16	42	7754000009	Retaining Ring	2
4	1001134433	Decal	1	43	7806000008	Shaft	1
5	1001154277	Decal	1	44	7950140003	Lockwasher, 0.25" ID	22
6	1001166974	Washer	21	45	7950140143	Flatwasher, 0.25" ID	61
7	1001166978	Washer	3	46	7950160143	Flatwasher, 0.38" ID	58
8	1001168993	Capscrew, 0.38"-16 X 1.50"	18	47	7990000003	Yoke	8
9	1001169080	Capscrew, 0.38"-16 X 1.25"	3	48	7248000053	Cable, Push-Pull	8
10	1001184827	Handle - Long	2	49	7796000012	Seal	8.7 FT
11	1001184828	Handle - Short	6	50	1001169083	Capscrew, 0.38"-16 X 2.00"	4
12	1001189784	Panel, Controls Top - RH	1				
13	1001189786	Panel, Controls 8 Sect - RH	1				
14	1001189993	Panel, Cover	1				
15	1001193527	Valve Sub Assembly	1				
16	1001194676	Screw, 0.25" X 0.75"	19				
17	1001194736	Tube	2				
18	1001196907	Decal	1				
19	1001196908	Decal	1				
20	1001196909	Decal	1				
21	1001196910	Decal	1				
22	1001196911	Decal	2				
23	1001199311	Panel, Controls Front - LH	1				
24	1001199322	Panel, Controls Rear - RH	1				
25	1001199324	Panel, Controls Front	1				
26	1001214902	PANEL, CONTROLS TOP LH	1				
27	1001214961	Panel, Controls 8 Sect - LH	1				
28	1001219691	Panel, Controls Rear - LH	1				
29	1001219937	Panel, Cover	1				
30	1001220068	Bracket	1				
31	4309000001	Coupling	3				
32	4309000007	Coupling	5				
33	7082000005	Bearing	2				
34	7114140618	Screw, 0.25"-20 X 0.75"	22				
35	7114141018	Screw, 0.25"-20NC x 1.25"	10				
36	7413000002	Nutsert, 0.25"-20	22				
37	7660140230	Nut, 0.25"-28	16				
38	7660142601	Locknut, 0.25" -20NC	10				
39	7660162601	Locknut, 0.38"-16NC	29				

CONTROL INSTALLATION - 8 SECTION - 3 SOLENOID



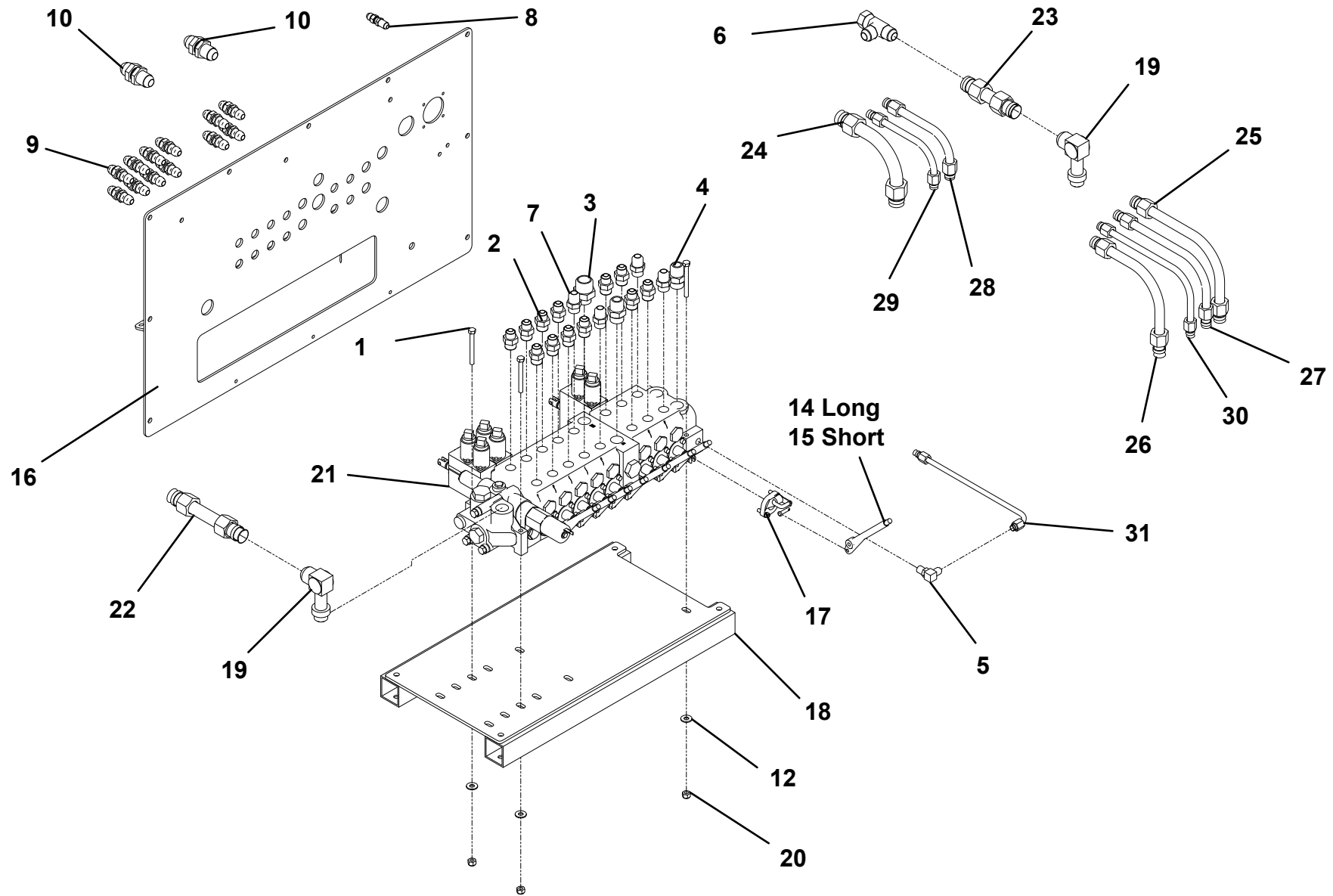
CONTROL INSTALLATION - 8 SECTION - 3 SOLENOID

CONTROL VALVE ASSEMBLY - 1001193527

ITEM	PART NO.	DESCRIPTION	QTY
1	0641524	Capscrew, 5/16" - 18 x 3"	3
2	2220374	Adapter	12
3	2220376	Adapter	1
4	2220451	Adapter	2
5	2220473	Adapter	1
6	2220700	Adapter	1
7	2220947	Adapter	4
8	2230024	Adapter	1
9	2230025	Adapter	12
10	2230027	Fitting	2
11	2230089	Fitting	3
12	4751500	Washer, 5/16" ID	3
13	8760037	Union	4
14	1001184772	Handle, Long	2
15	1001184773	Handle, Short	6
16	1001189989	Panel	1
17	1001194069	Linkage	8
18	3177000060	Mount	1
19	7443000211	Fitting	2
20	7660162601	Locknut, 0.38" - 16NC	3
21	7935000293	Valve, 8 Sec. 3 Sol	1
22	7912000301*	Tube Assembly	1
23	7912000302*	Tube Assembly	1
24	7912000303*	Tube Assembly	1
25	7912000304*	Tube Assembly	1
26	7912000305*	Tube Assembly	1
27	7912000306*	Tube Assembly	2
28	7912000307*	Tube Assembly	2
29	7912000308*	Tube Assembly	6
30	7912000309*	Tube Assembly	6
31	7912000310*	Tube Assembly	1

* Also Available In Tube Kit - 7577000668

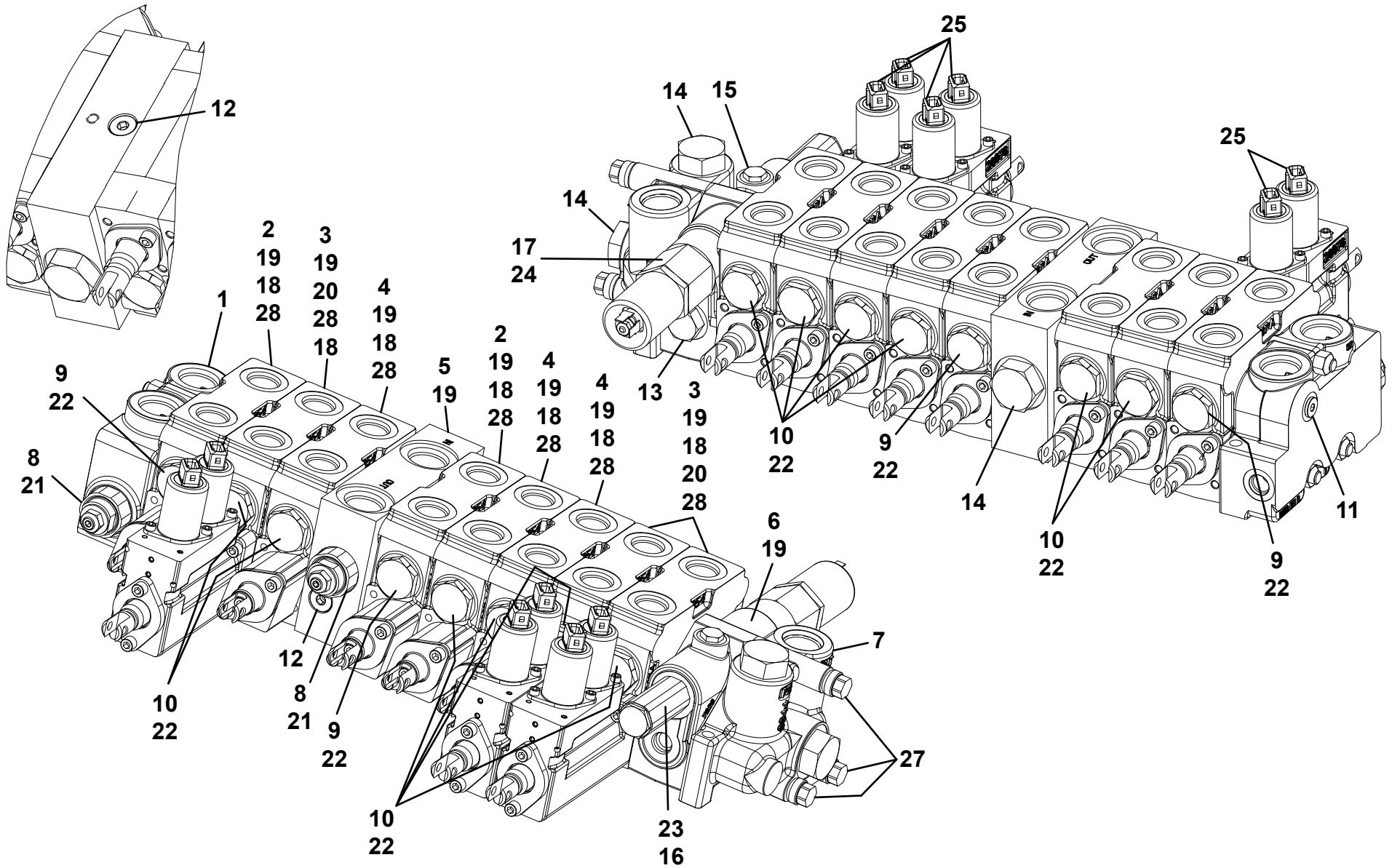
CONTROL VALVE ASSEMBLY - 1001193527



VALVE ASSEMBLY - 7935000293

ITEM	PART NO.	DESCRIPTION	QTY
1	7935000315	Inlet Cover	1
2	9935930122	Valve Section	2
3	9935930119	Valve Section	3
4	7935000320	Valve Section	3
5	7935000316	Inlet	1
6	7935000323	Utility Section	1
7	7935000317	Outlet Cover	1
8	91084009	Relief	2
9	70050243	Plug	4
10	7006847	Plug	12
11	70050245	Plug	1
12	70050246	Plug	2
13	70050247	Plug	1
14	91084017	Plug	3
15	70050249	Plug	1
16	70050241	Pressure Cartridge	1
17	70050242	Solenoid	1
18	70050250	Seal	13
19	70050251	O-Ring	40
20	70050252	O-Ring	6
21	70051081	Seal Kit	2
22	7029865	Seal Kit	16
23	70051080	Seal Kit	1
24	70050256	Seal Kit	1
25	9346930086	Solenoid	6
26	70051079	Seal	1
27	70050239	Stud Assembly	1
28	70050257	Wiper	16

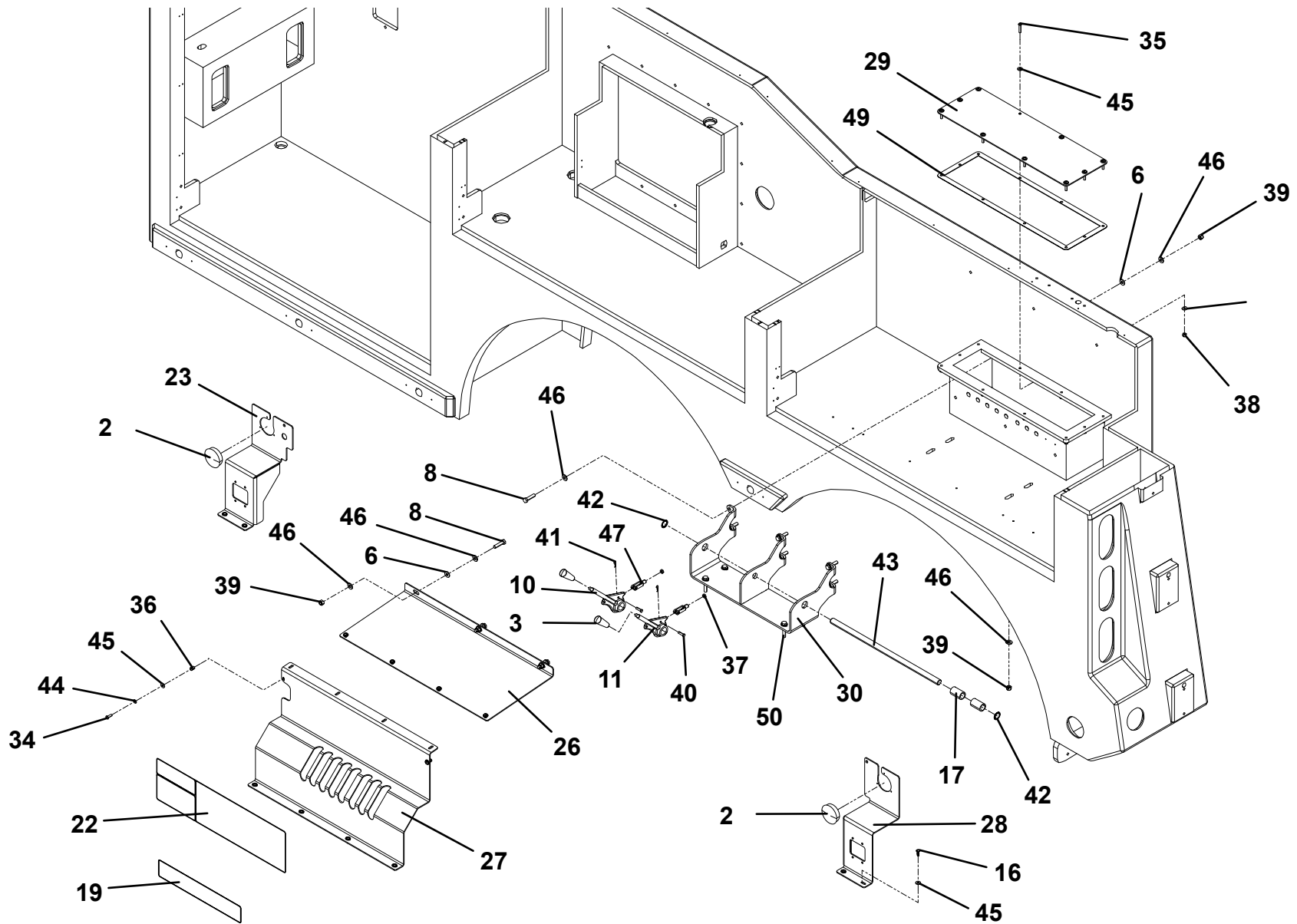
VALVE ASSEMBLY - 7935000293

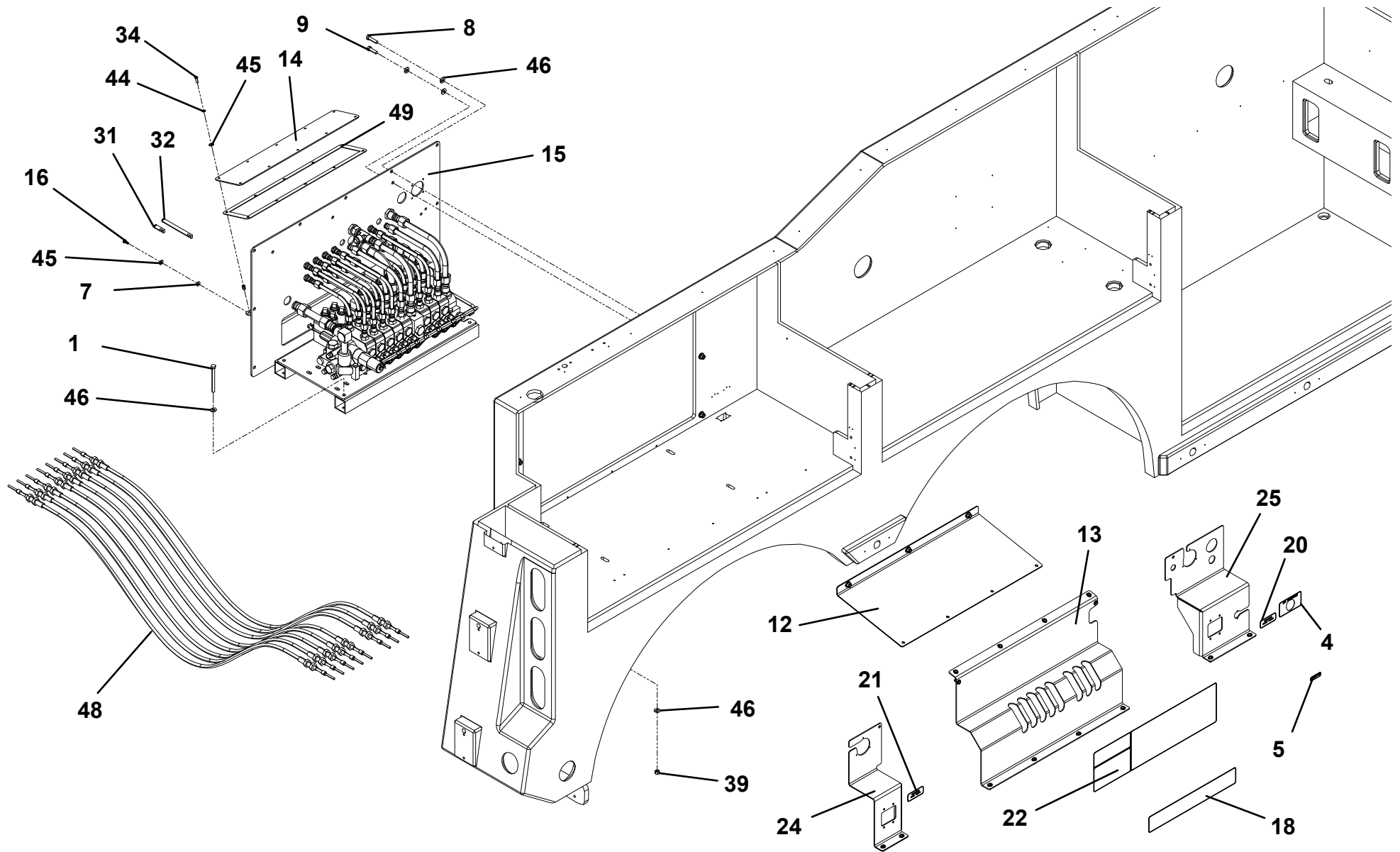


CONTROL INSTALLATION - 8 SECTION - 6 SOLENOID

ITEM	PART NO.	DESCRIPTION	QTY	ITEM	PART NO.	DESCRIPTION	QTY
1	641632	Capscrew, 0.38"-16 X 4.00"	4	40	7690141200	Pin	16
2	3520064	Plug	2	41	7691000075	Pin	16
3	1001130491	Control Knob	16	42	7754000009	Retaining Ring	2
4	1001134433	Decal	1	43	7806000008	Shaft	1
5	1001154277	Decal	1	44	7950140003	Lockwasher, 0.25" ID	22
6	1001166974	Washer, 0.38" ID	21	45	7950140143	Flatwasher, 0.25" ID	61
7	1001166978	Washer, 0.25" ID	3	46	7950160143	Flatwasher, 0.38" ID	58
8	1001168993	Capscrew, 0.38"-16 X 1.50"	18	47	7990000003	Yoke	8
9	1001169080	Capscrew, 0.38"-16 X 1.25"	3	48	7248000053	Cable Push Pull	8
10	1001184827	Handle, Long	2	49	7796000012	Seal	8.7 FT
11	1001184828	Handle, Short	6	50	1001169083	Capscrew, 0.38"-16 X 2.00"	4
12	1001189784	Panel, Controls Top RH	1				
13	1001189786	Panel, Controls 8 Sect RH	1				
14	1001189993	Panel, Cable Bracket Cover	1				
15	1001194284	Valve Sub Assembly	1				
16	1001194676	Screw, 0.25" X 0.75"	19				
17	1001194736	Spacer	2				
18	1001196907	Decal	1				
19	1001196908	Decal	1				
20	1001196909	Decal	1				
21	1001196910	Decal	1				
22	1001196911	Decal	2				
23	1001199311	Panel, Controls Front LH	1				
24	1001199322	Panel, Controls Rear RH	1				
25	1001199324	Panel, Controls Front RH	1				
26	1001214902	Panel, Controls Top LH	1				
27	1001214961	Panel, Controls 8 Sect LH	1				
28	1001219691	Panel, Controls Rear LH	1				
29	1001219937	Plate	1				
30	1001220068	Bracket	1				
31	4309000001	Coupling	6				
32	4309000007	Coupling	2				
33	7082000005	Bearing	2				
34	7114140618	Screw, 0.25"-20 X 0.75"	22				
35	7114141018	Screw, 0.25"-20NC x 1.25"	10				
36	7413000002	Nutsert, 0.25"-20	22				
37	7660140230	Nut, 0.25"-28	16				
38	7660142601	Nut, 0.25"	10				
39	7660162601	Locknut, 0.38"-16NC	29				

CONTROL INSTALLATION - 8 SECTION - 6 SOLENOID



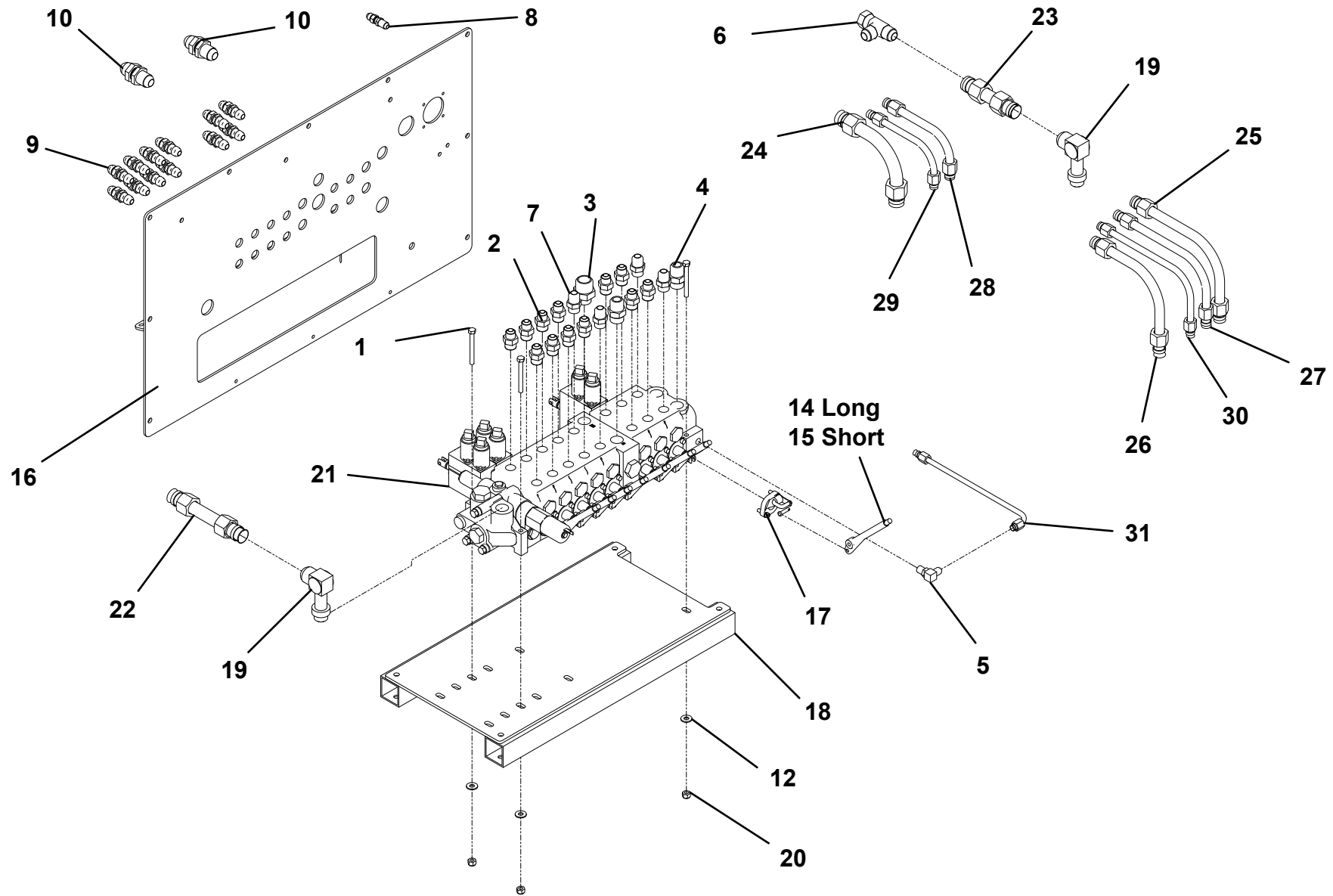
CONTROL INSTALLATION - 8 SECTION - 6 SOLENOID

CONTROL VALVE ASSEMBLY - 1001193527

ITEM	PART NO.	DESCRIPTION	QTY
1	0641524	Capscrew, 5/16" - 18 x 3"	3
2	2220374	Adapter	12
3	2220376	Adapter	1
4	2220451	Adapter	2
5	2220473	Adapter	1
6	2220700	Adapter	1
7	2220947	Adapter	4
8	2230024	Adapter	1
9	2230025	Adapter	12
10	2230027	Fitting	2
11	2230089	Fitting	3
12	4751500	Washer, 5/16" ID	3
13	8760037	Union	4
14	1001184772	Handle, Long	2
15	1001184773	Handle, Short	6
16	1001189989	Panel	1
17	1001194069	Linkage	8
18	3177000060	Mount	1
19	7443000211	Fitting	2
20	7660162601	Locknut, 0.38" - 16NC	3
21	7935000293	Valve, 8 Sec. 3 Sol	1
22	7912000301*	Tube Assembly	1
23	7912000302*	Tube Assembly	1
24	7912000303*	Tube Assembly	1
25	7912000304*	Tube Assembly	1
26	7912000305*	Tube Assembly	1
27	7912000306*	Tube Assembly	2
28	7912000307*	Tube Assembly	2
29	7912000308*	Tube Assembly	6
30	7912000309*	Tube Assembly	6
31	7912000310*	Tube Assembly	1

* Also Available In Tube Kit - 7577000668

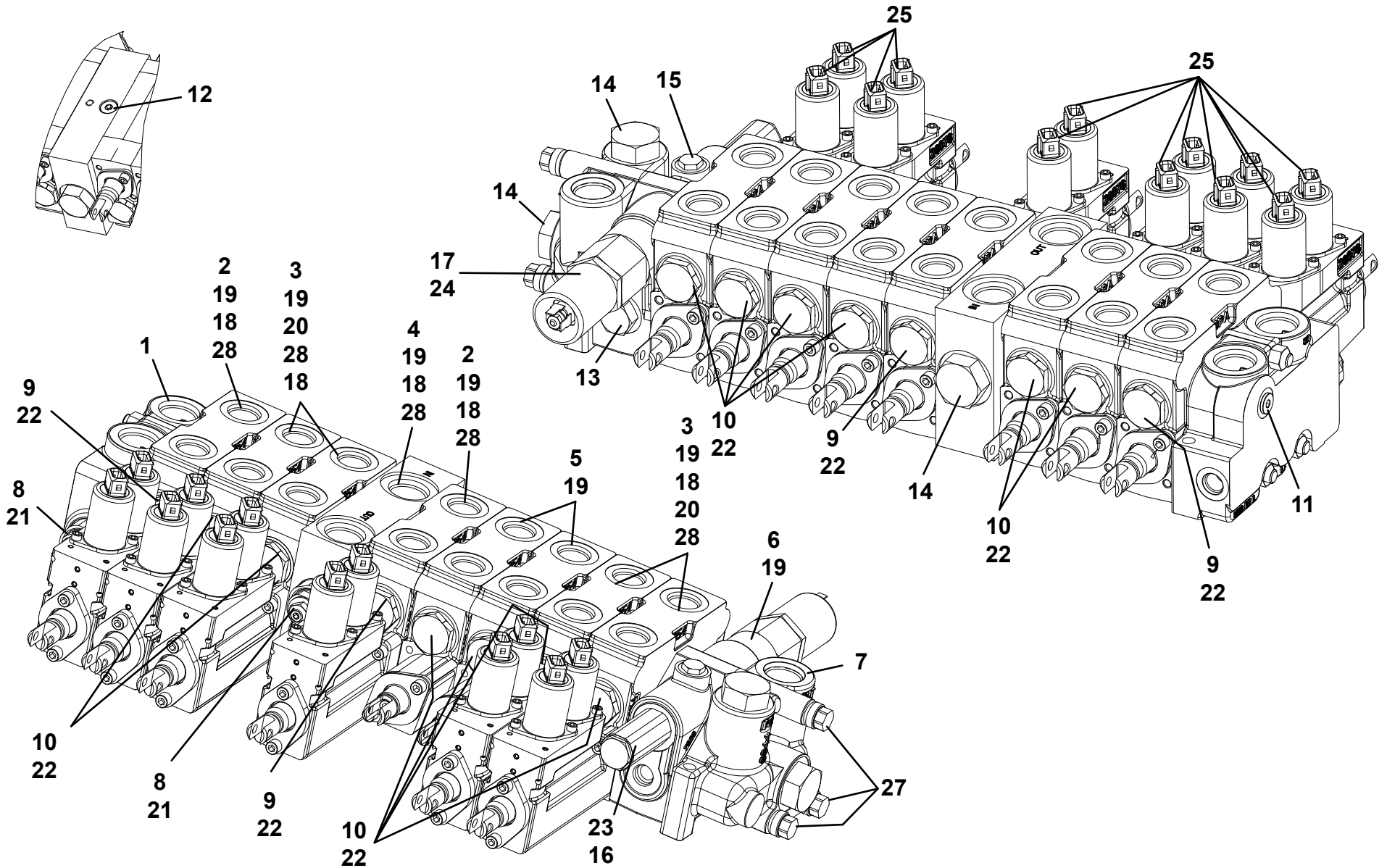
CONTROL VALVE ASSEMBLY - 1001193527



VALVE ASSEMBLY - 7935000330

ITEM	PART NO.	DESCRIPTION	QTY
1	7935000315	Inlet Cover	1
2	9935930120	Valve Section	2
3	9935930119	Valve Section	4
4	7935000316	Inlet	1
5	7935000320	Valve Section	2
6	7935000323	Utility Section	1
7	7935000317	Outlet Cover	1
8	91084009	Relief	2
9	70050243	Plug	4
10	7006847	Plug	12
11	70050245	Plug	1
12	70050246	Plug	2
13	70050247	Plug	1
14	91084017	Plug	3
15	70050249	Plug	1
16	70050241	Pressure Cartridge	1
17	70050242	Solenoid	1
18	70050250	Seal	13
19	70050251	O-Ring	40
20	70050252	O-Ring	6
21	70051081	Seal Kit	2
22	7029865	Seal Kit	16
23	70051080	Seal Kit	1
24	70050256	Seal Kit	1
25	9346930086	Solenoid	6
26	70051079	Seal	1
27	70050239	Stud Assembly	1
28	70050257	Wiper	16

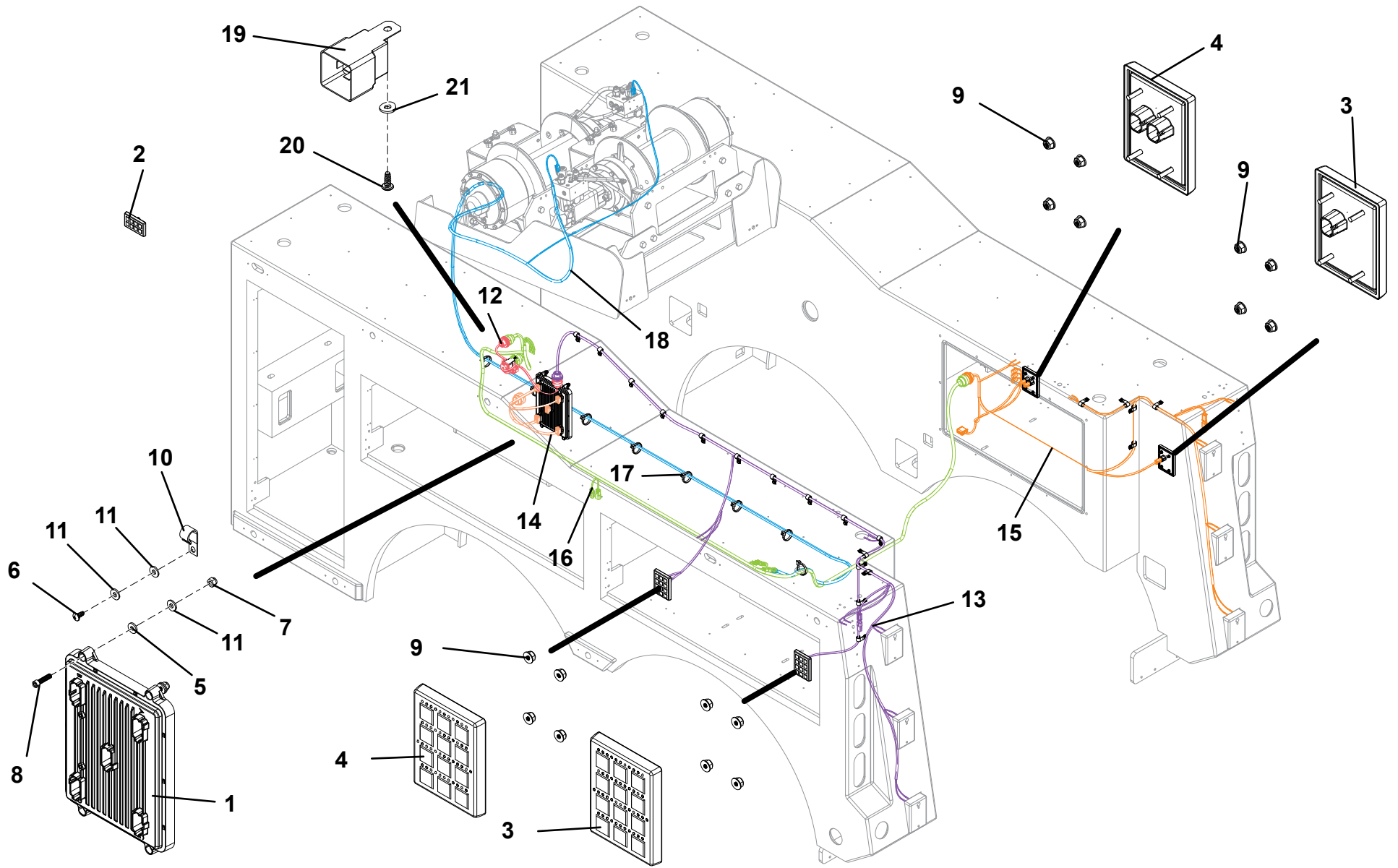
VALVE ASSEMBLY - 7935000330



MULTIPLEX INSTALLATION

ITEM	PART NO.	DESCRIPTION	QTY
1	1001211000	Multiplex Module	P/K
2	1001211001	Keypad, In-Cab	P/K
3	1001211002	Keypad, In-Body	P/K
4	1001211003	Keypad, Winch	P/K
5	1001166978	Washer, Rubber	4
6	1001195257	Screw, 0.25" x 0.50"	20
7	7660142601	Locknut, 0.25" -20NC	4
8	1001209590	Screw, 0.25" x 1.00"	4
9	1001209616	Nut, #10-32	16
10	7280000006	Clip	20
11	7950140143	Flatwasher, 0.25" ID	44
12	1001232594	Harness, Jumper	1
13	1001232593	Harness, Left Body	1
14	1001208952	Harness, PDP	1
15	1001232595	Harness, Right Body	1
16	1001232596	Harness, Crossover	1
17	5526000553	Tie Strap	35
18	1001228426	Harness, Wich	1
19	3740080	Relay	1
20	1001192958	Screw, #10 X 0.50"	1
21	7950100143	Flatwasher, 0.19" ID	1

MULTIPLEX INSTALLATION

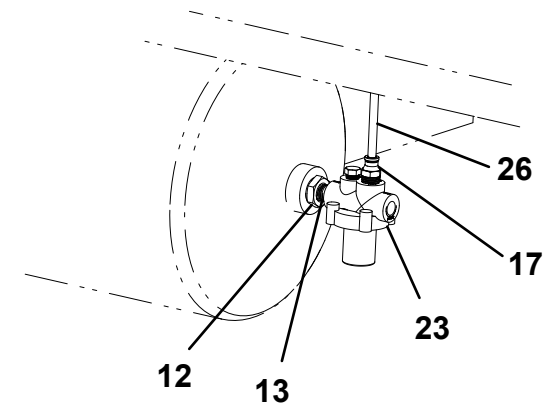
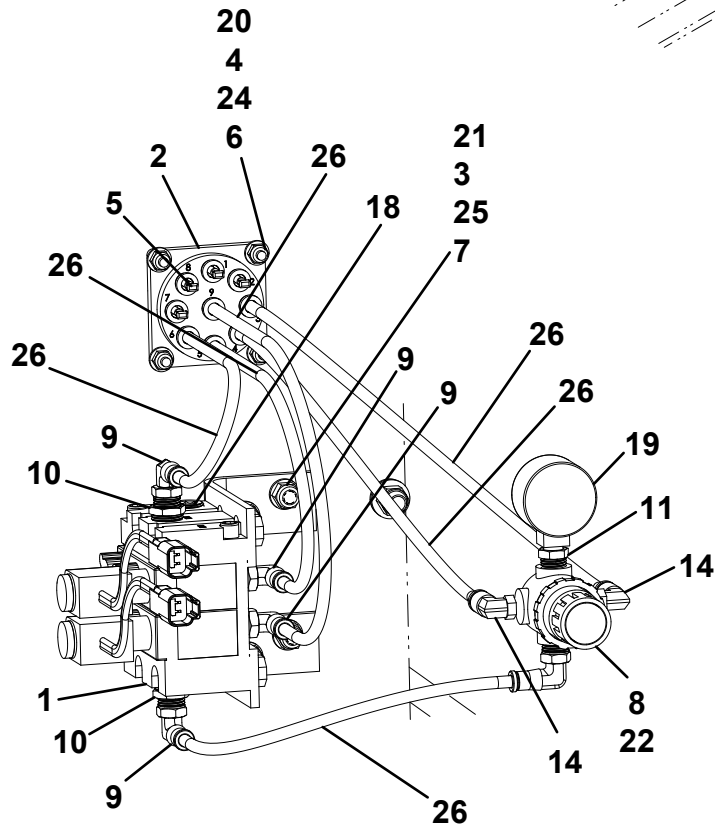
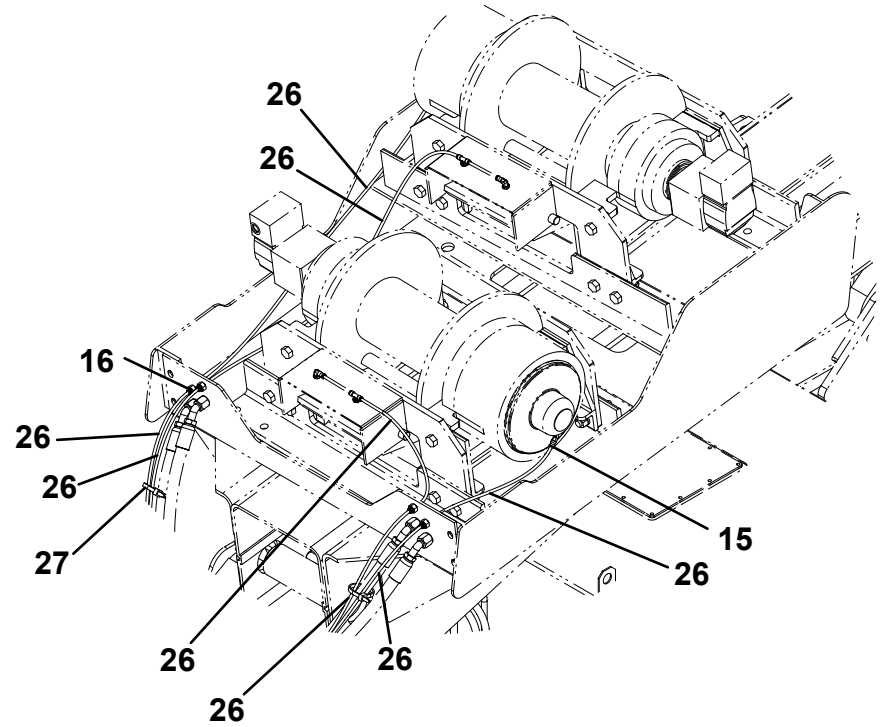
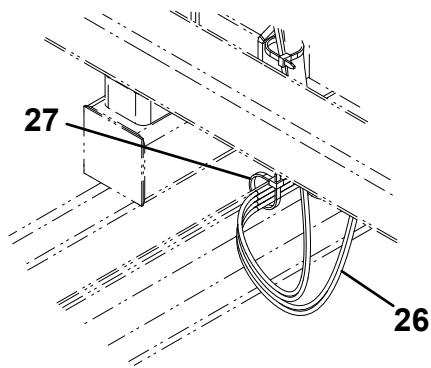


WINCH AIR INSTALLATION

ITEM	PART NO.	DESCRIPTION	QTY
1	1001129800	Valve, Air Section	1
2	1001184765	Terminal	1
3	1001197482	Washer, 0.31" ID	4
4	1001197483	Washer, #10	4
5	1001197506	Seal	4
6	7114100818	Screw, #10-24 x 1.00"	4
7	7114150850	Capscrew, 0.31"-18NC x 1.00"	4
8	7295000029	Air Regulator	1
9	7443000139	Fitting	5
10	7443000148	Bushing	2
11	7443000149	Bushing	1
12	7443000154	Bushing	1
13	7443000156	Fitting	1
14	7443000173	Fitting	2
15	7443000176	Elbow	2
16	7443000178	Union	4
17	7443000329	Fitting	1
18	7444030037	Plug	1
19	7470000006	Air Pressure Gauge	1
20	7660102601	Nut, #10-24NC	4
21	7660152601	Locknut, 0.31"-18NC	4
22	7661000041	Nut	1
23	7935000120	Valve	1
24	7950100143	Flatwasher, 0.19" ID	8
25	7950140143	Flatwasher, 0.25" ID	8
26	7565000016	Air Tubing	125FT
27	7894000004	Tie Strap	35

WINCH AIR INSTALLATION

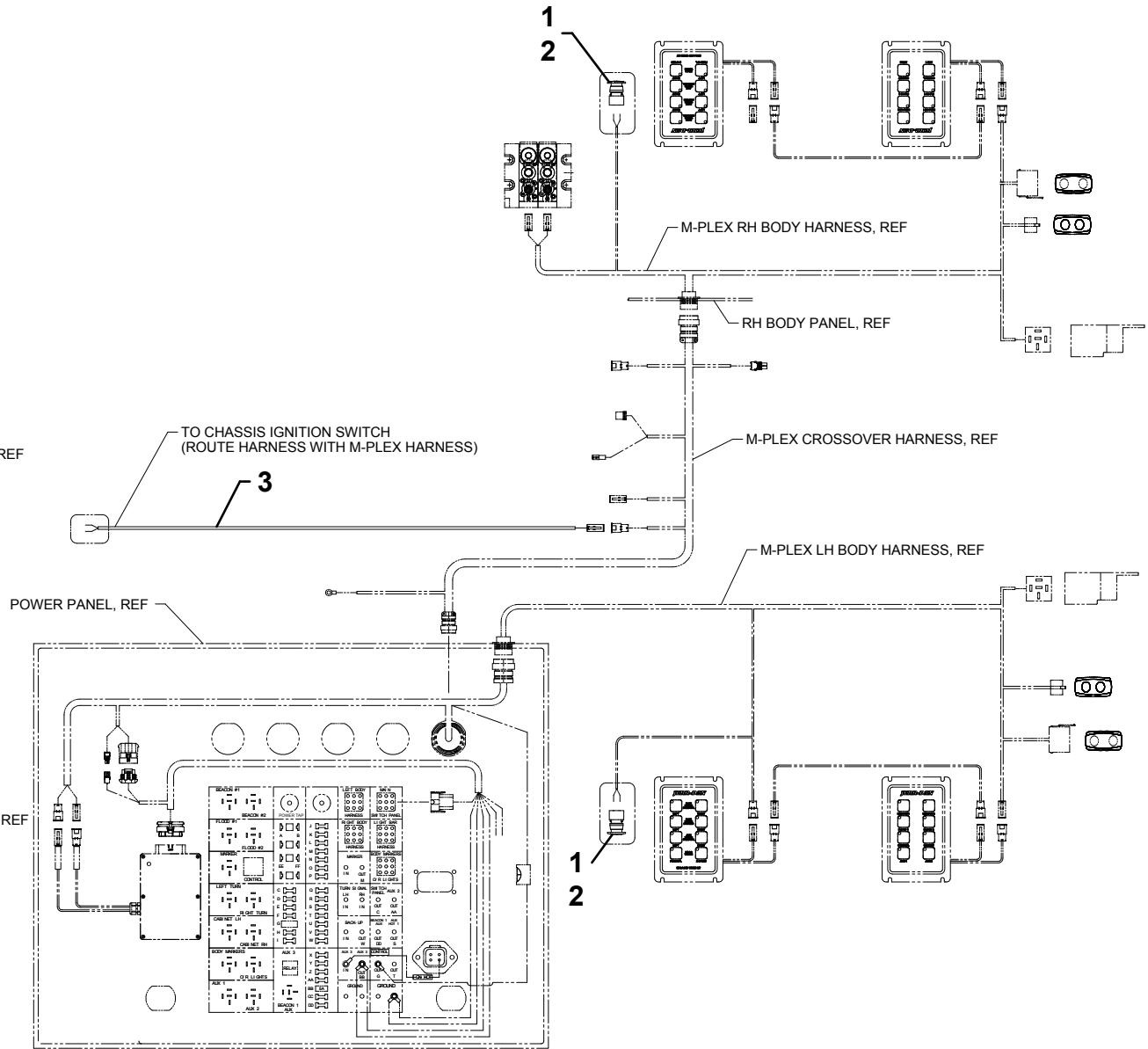
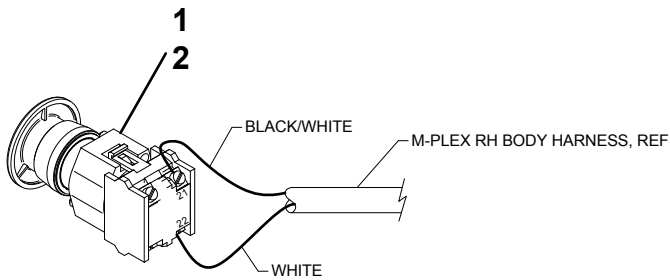
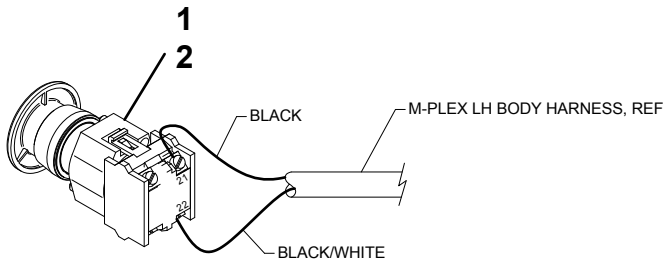
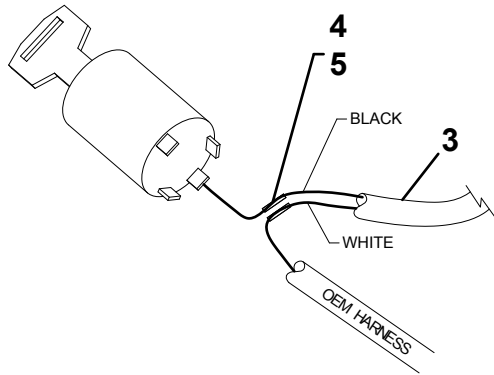
AIR BULKHEAD PORTS	
PORT 1	FRONT WINCH 2-SPD
PORT 2	DRAG WINCH TENSIONER
PORT 3	FRONT WINCH TENSIONER
PORT 4	REAR WINCH TENSIONER
PORT 5	FRONT WINCH FREESPOOL
PORT 6	SUPPLY
PORT 7	REAR WINCH 2-SPD
PORT 8	DRAG WINCH FREESPOOL
PORT 9	REAR WINCH FREESPOOL



E-STOP INSTALLATION

ITEM	PART NO.	DESCRIPTION	QTY
1	7870000128	Switch	2
2	7870000129	Switch	2
3	1001171394	Harness	1
4	7345001714	Terminal	2
5	7346000039	Tubing	1

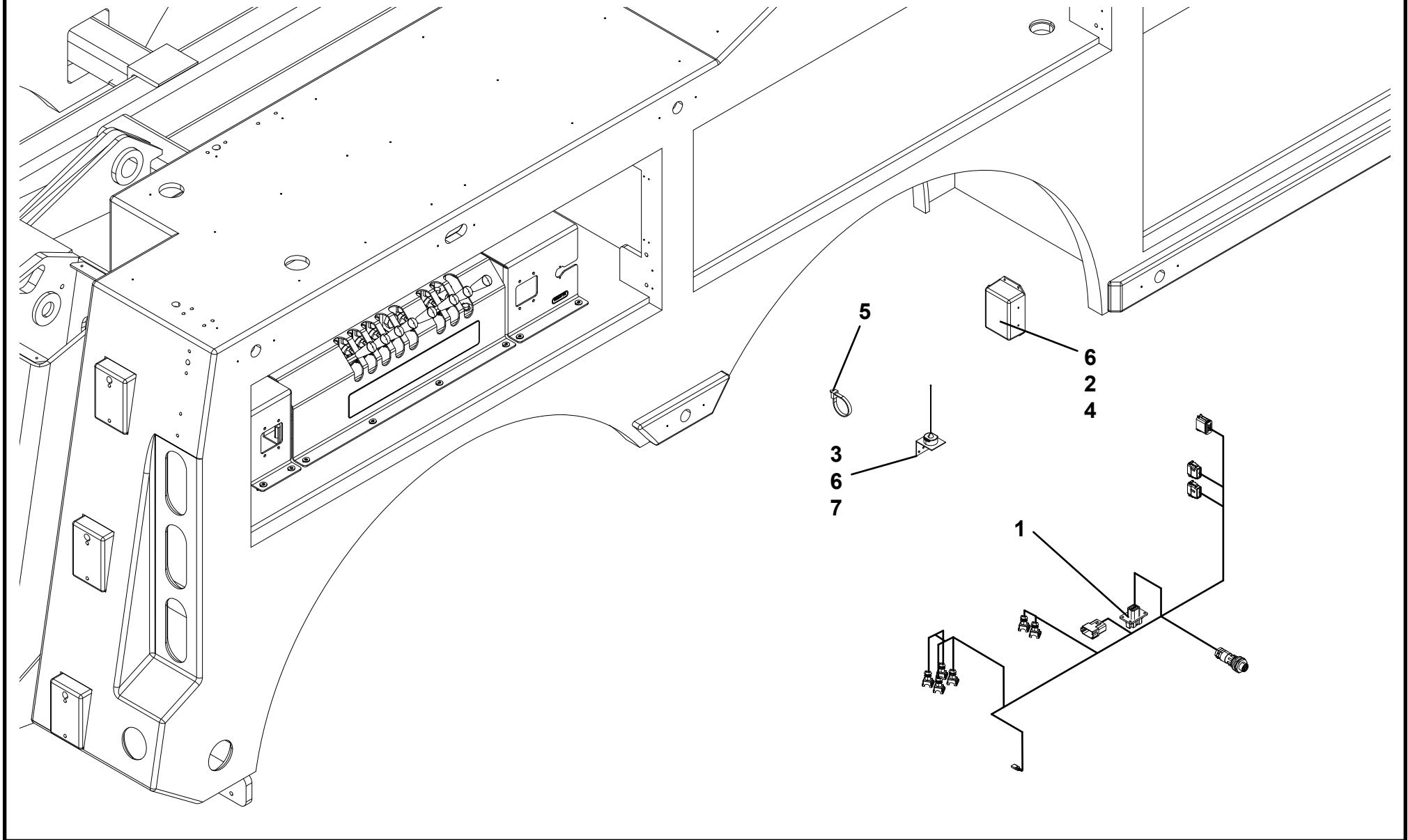
E-STOP INSTALLATION



WIRELESS REMOTE INSTALLATION

ITEM	PART NO.	DESCRIPTION	QTY
1	1001209022	Harness	1
2	1001192958	Screw, #10 x 0.50"	4
3	1001196552	Screw, #8 x 0.75"	4
4	7075000003	Battery	1
5	5526000553	Tie Strap	2
6	7295000146	Wireless Remote	1
7	1001198602	Screw, #8 x 0.38"	3

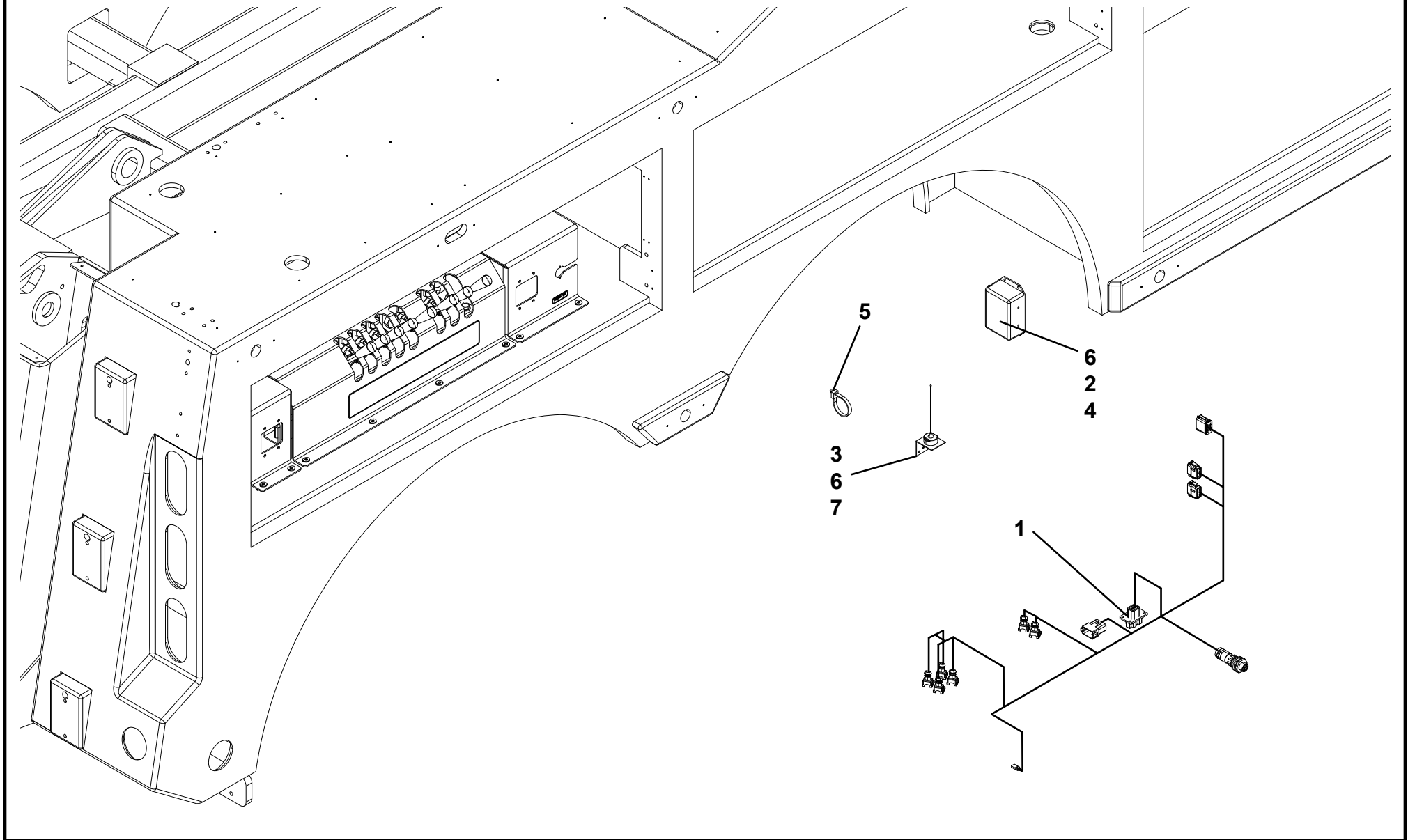
WIRELESS REMOTE INSTALLATION



WIRELESS REMOTE INSTALLATION

ITEM	PART NO.	DESCRIPTION	QTY
1	1001209020	Harness	1
2	1001195523	Screw, 0.25" x 1.00"	2
3	1001196552	Screw, #8 x 0.75"	4
4	7075000003	Battery	1
5	5526000553	Tie Strap	2
6	7295000124	Wireless Remote	1

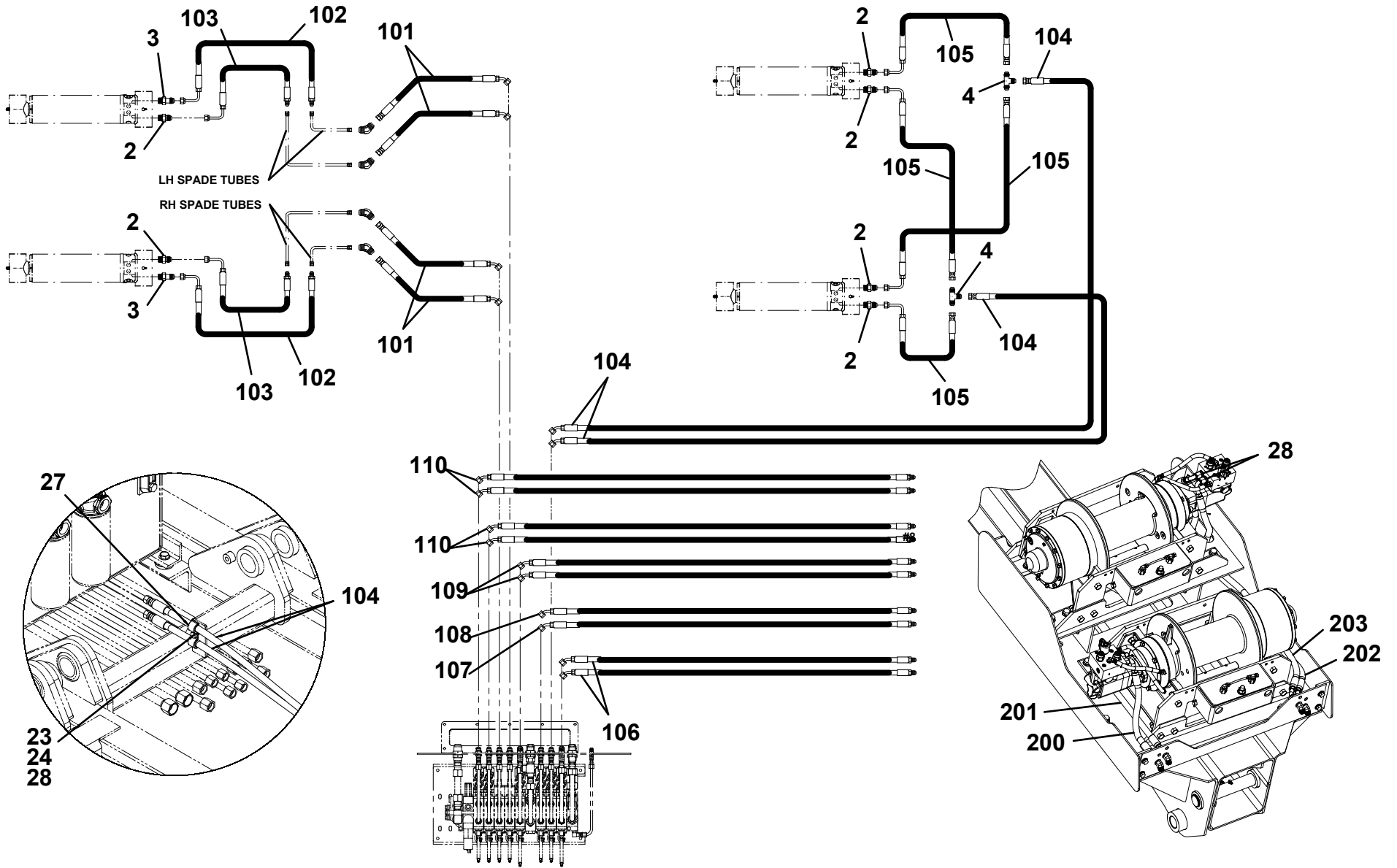
WIRELESS REMOTE INSTALLATION



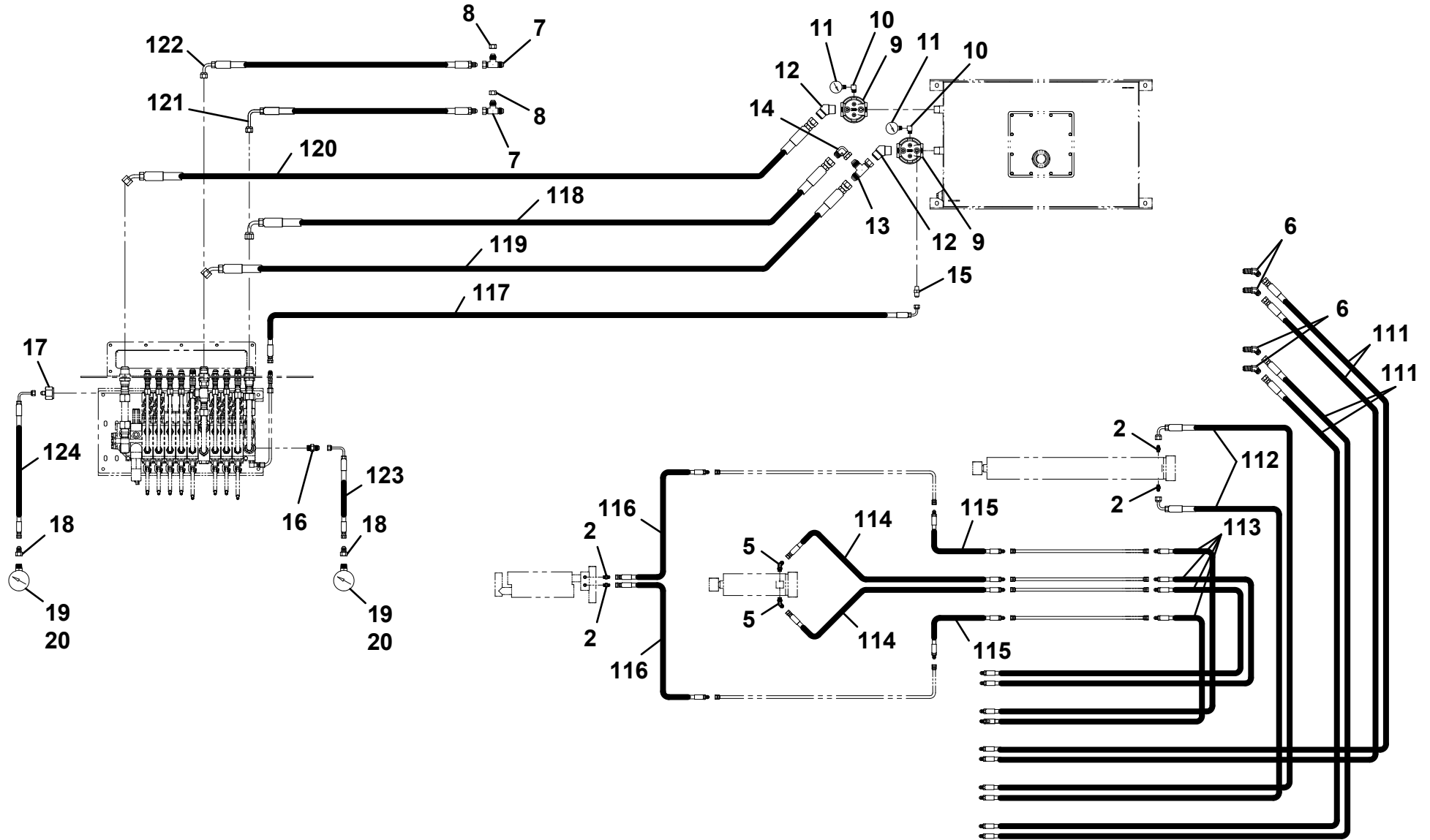
HYDRAULIC LINES AND FITTINGS INSTALLATION

ITEM	PART NO.	DESCRIPTION	QTY	ITEM	PART NO.	DESCRIPTION	QTY
1	1001228169	Hose Kit	1	110	1001228158	Hose Assembly	4
2	2220371	Fitting	10	111	4569160048	Hose Assembly	4
3	2220998	Fitting	2	112	4570000255	Hose Assembly	2
4	2220490	Fitting	2	113	4570000069	Hose Assembly	4
5	2220501	Fitting	2	114	1001155649	Hose Assembly	2
6	2230035	Fitting	4	115	1001155650	Hose Assembly	2
7	2220700	Fitting	2	116	4570000254	Hose Assembly	2
8	2220518	Fitting	2	117	1001228165	Hose Assembly	1
9	7430000004	Filter Assembly	2	118	1001228159	Hose Assembly	1
10	8540246	Fitting	2	119	1001228160	Hose Assembly	1
11	7470000002	Oil Filter	2	120	1001228161	Hose Assembly	1
12	2220357	Fitting	2	121	1001228162	Hose Assembly	1
13	2220642	Fitting	1	122	1001228163	Hose Assembly	1
14	2220878	Fitting	1	123	4567112024	Hose Assembly	1
15	7445060219	Fitting	1	124	4567113028	Hose Assembly	1
16	2220415	Fitting	1				
17	1001094694	Fitting	1			Hose Kit - 1001219190	
18	7445040421	Fitting	2	200	4567152018	Hose Assembly	1
19	7470000004	Pressure Guage	2	201	1001166531	Hose Assembly	1
20	7790060676	Screw, #6 x 0.38"	6	202	1001219188	Hose Assembly	1
21	1001228208	Bracket	1	203	1001219189	Hose Assembly	1
22	1001169083	Bolt, 0.38" -16 X 2.00"	2				
23	7660162601	Locknut, 0.38"-16	3				
24	7950160143	Flatwasher, 0.38" ID	5				
25	5526000553	Tie Strap	30				
26	7894000004	Tie Strap	20				
27	1001169080	Bolt, 0.38"-16 X 1.25"	1				
28	7445100843	Fitting	4				
		Hose Kit - 1001228169					
101	1001192504	Hose Assembly	4				
102	4570000268	Hose Assembly	2				
103	4570000269	Hose Assembly	2				
104	1001228164	Hose Assembly	2				
105	4567122023	Hose Assembly	4				
106	1001228152	Hose Assembly	2				
107	1001228154	Hose Assembly	1				
108	1001228155	Hose Assembly	1				
109	1001228156	Hose Assembly	2				

HYDRAULIC LINES AND FITTINGS INSTALLATION



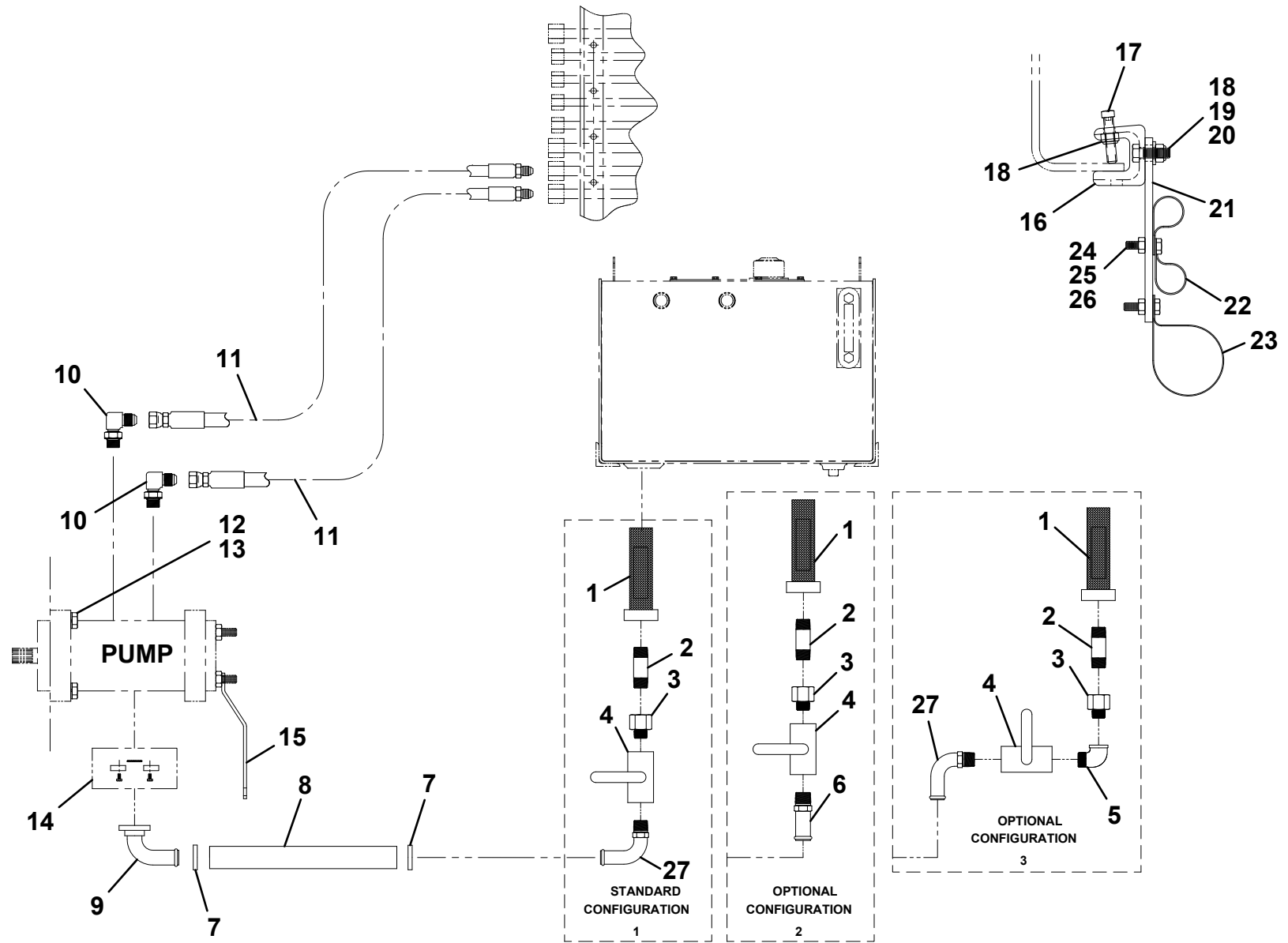
HYDRAULIC LINES AND FITTINGS INSTALLATION



SUPPLY PRESSURE AND RETURN INSTALLATION - 186-241 WB

ITEM	PART NO.	DESCRIPTION	QTY
1	7430000010	Filter	1
2	7650100137	Fitting	1
3	7444121050	Reducer	1
4	7935000116	Valve	1
5	7444121271	Fitting	A/R
6	7443000130	Fitting	A/R
7	7274000028	Clamp	2
8	8565000026	Suction Hose	25 ft
9	1001145056	Fitting	1
10	7445121645	Fitting	2
11	1001228335	Hose	2
12	7115181050	Capscrew, 0.50"-13NC x 1.25"	2
13	7950180000	Lockwasher 0.59" ID	2
14	7577000213	Flange	1
15	4178000248	Bracket	1
16	7274000076	Clamp	10
17	7785152420	Screw, 0.38"- 18 x 1.50"	10
18	7660152601	Locknut, 0.31"-18NC	20
19	7115151050	Capscrew, 0.31"-18NC X 1.25"	10
20	7950150161	Flatwasher 0.31" ID	10
21	4706003844	Plate	10
22	7274000041	Clamp	20
23	7274000071	Clamp	10
24	7115140850	Capscrew, 0.25"-20NC x 1.00"	20
25	7950140152	Washer, 0.25" ID	20
26	7660142601	Locknut, 0.25" -20NC	20
27	7443000254	Fitting	1

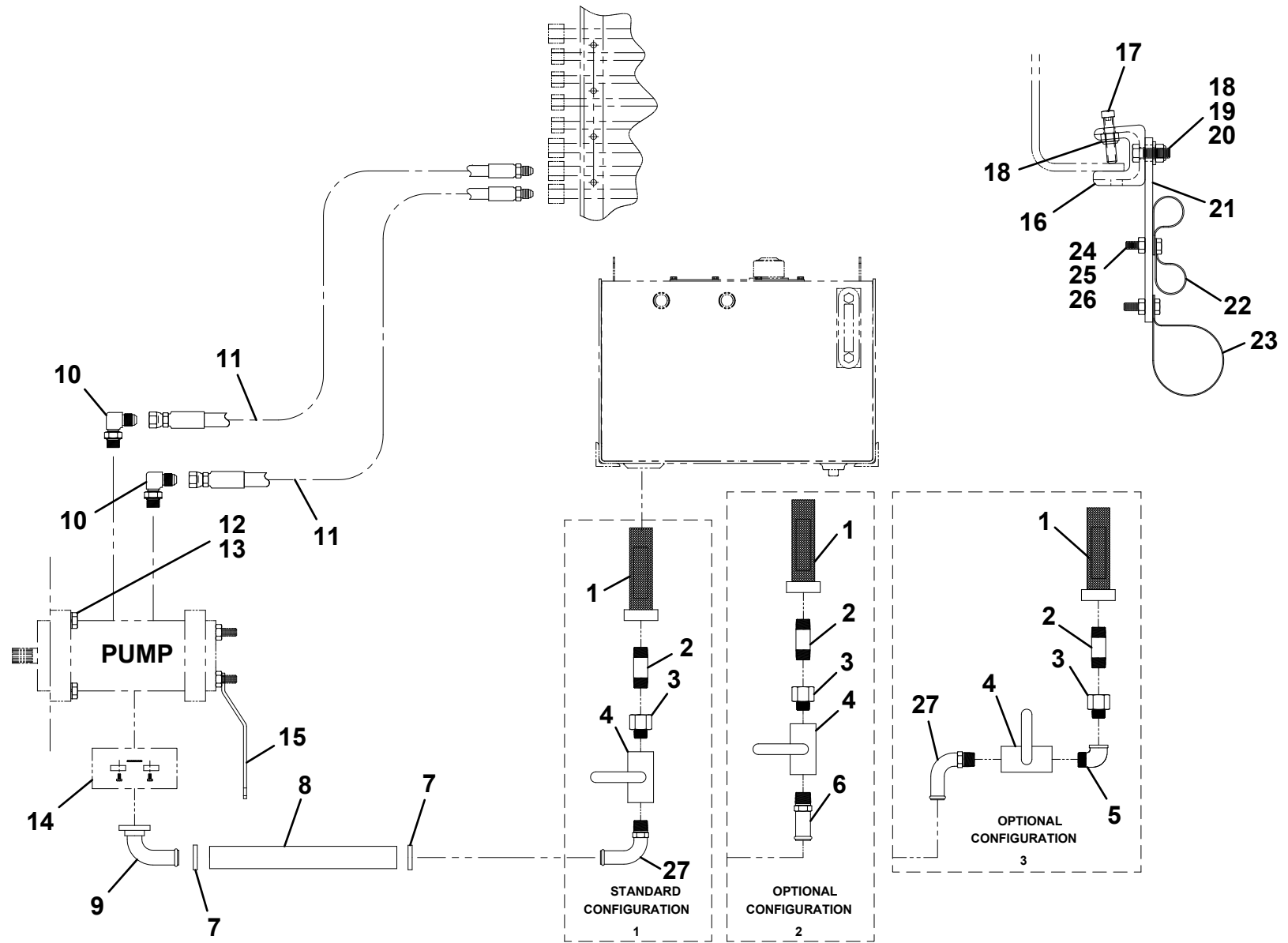
SUPPLY PRESSURE AND RETURN INSTALLATION - 186-241 WB



SUPPLY PRESSURE AND RETURN INSTALLATION - 242-281 WB

ITEM	PART NO.	DESCRIPTION	QTY
1	7430000010	Filter	1
2	7650100137	Fitting	1
3	7444121050	Reducer	1
4	7935000116	Valve	1
5	7444121271	Fitting	A/R
6	7443000130	Fitting	A/R
7	7274000028	Clamp	2
8	8565000026	Suction Hose	15 ft
9	1001145056	Fitting	1
10	7445121645	Fitting	2
11	1001228335	Hose	2
12	7115181050	Capscrew, 0.50"-13NC x 1.25"	2
13	7950180000	Lockwasher 0.59" ID	2
14	7577000213	Flange	1
15	4178000248	Bracket	1
16	7274000076	Clamp	10
17	7785152420	Screw, 0.38"- 18 x 1.50"	10
18	7660152601	Locknut, 0.31"-18NC	20
19	7115151050	Capscrew, 0.31"-18NC X 1.25"	10
20	7950150161	Flatwasher 0.31" ID	10
21	4706003844	Plate	10
22	7274000041	Clamp	20
23	7274000071	Clamp	10
24	7115140850	Capscrew, 0.25"-20NC x 1.00"	20
25	7950140152	Washer, 0.25" ID	20
26	7660142601	Locknut, 0.25" -20NC	20
27	7443000254	Fitting	1

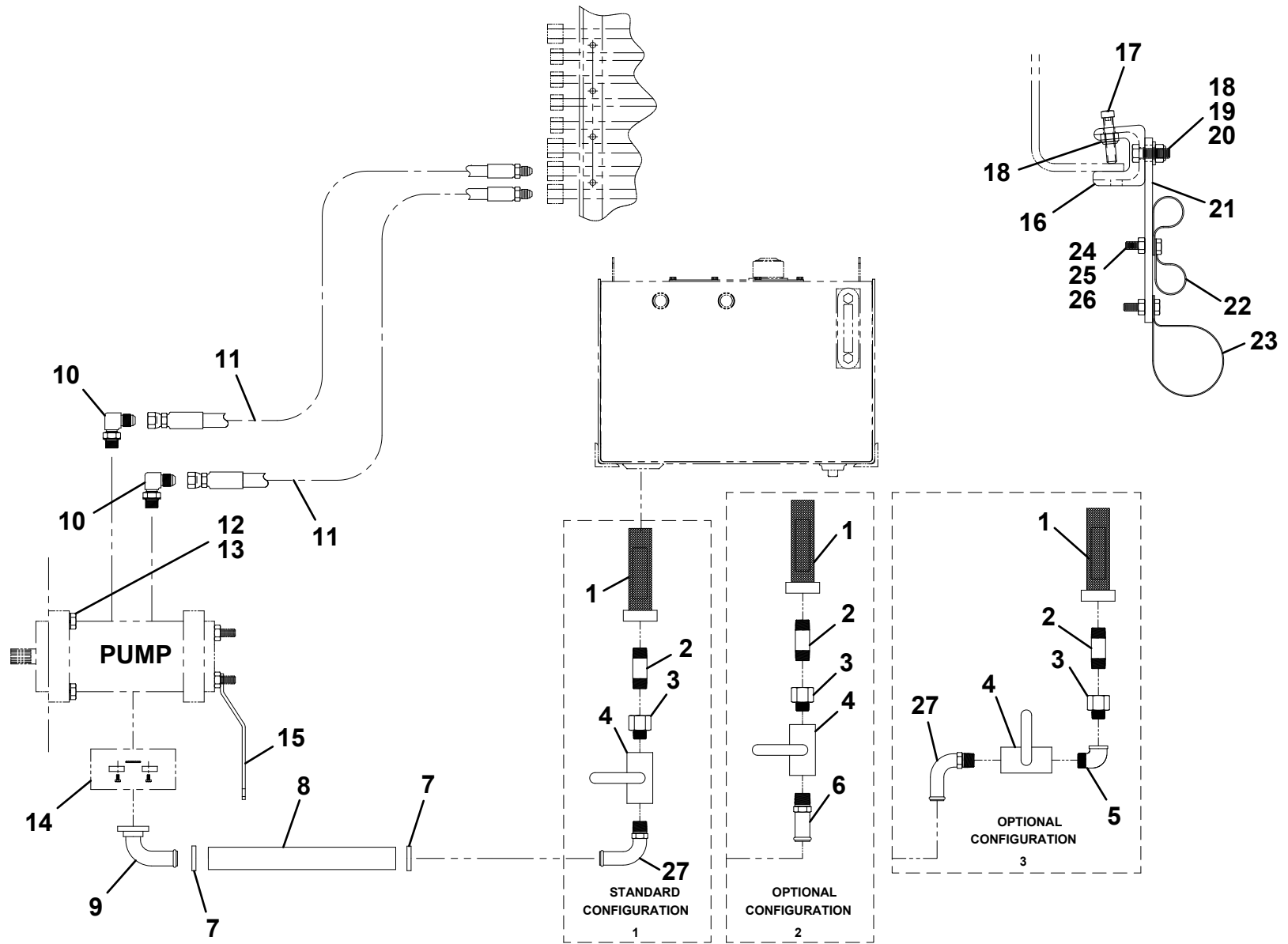
SUPPLY PRESSURE AND RETURN INSTALLATION - 242-281 WB



SUPPLY PRESSURE AND RETURN INSTALLATION - 282-321 WB

ITEM	PART NO.	DESCRIPTION	QTY
1	7430000010	Filter	1
2	7650100137	Fitting	1
3	7444121050	Reducer	1
4	7935000116	Valve	1
5	7444121271	Fitting	A/R
6	7443000130	Fitting	A/R
7	7274000028	Clamp	2
8	8565000026	Suction Hose	18.5ft
9	1001145056	Fitting	1
10	7445121645	Fitting	2
11	1001228335	Hose	2
12	7115181050	Capscrew, 0.50"-13NC x 1.25"	2
13	7950180000	Lockwasher 0.59" ID	2
14	7577000213	Flange	1
15	4178000248	Bracket	1
16	7274000076	Clamp	10
17	7785152420	Screw, 0.38"- 18 x 1.50"	10
18	7660152601	Locknut, 0.31"-18NC	20
19	7115151050	Capscrew, 0.31"-18NC X 1.25"	10
20	7950150161	Flatwasher 0.31" ID	10
21	4706003844	Plate	10
22	7274000041	Clamp	20
23	7274000071	Clamp	10
24	7115140850	Capscrew, 0.25"-20NC x 1.00"	20
25	7950140152	Washer, 0.25" ID	20
26	7660142601	Locknut, 0.25" -20NC	20
27	7443000254	Fitting	1

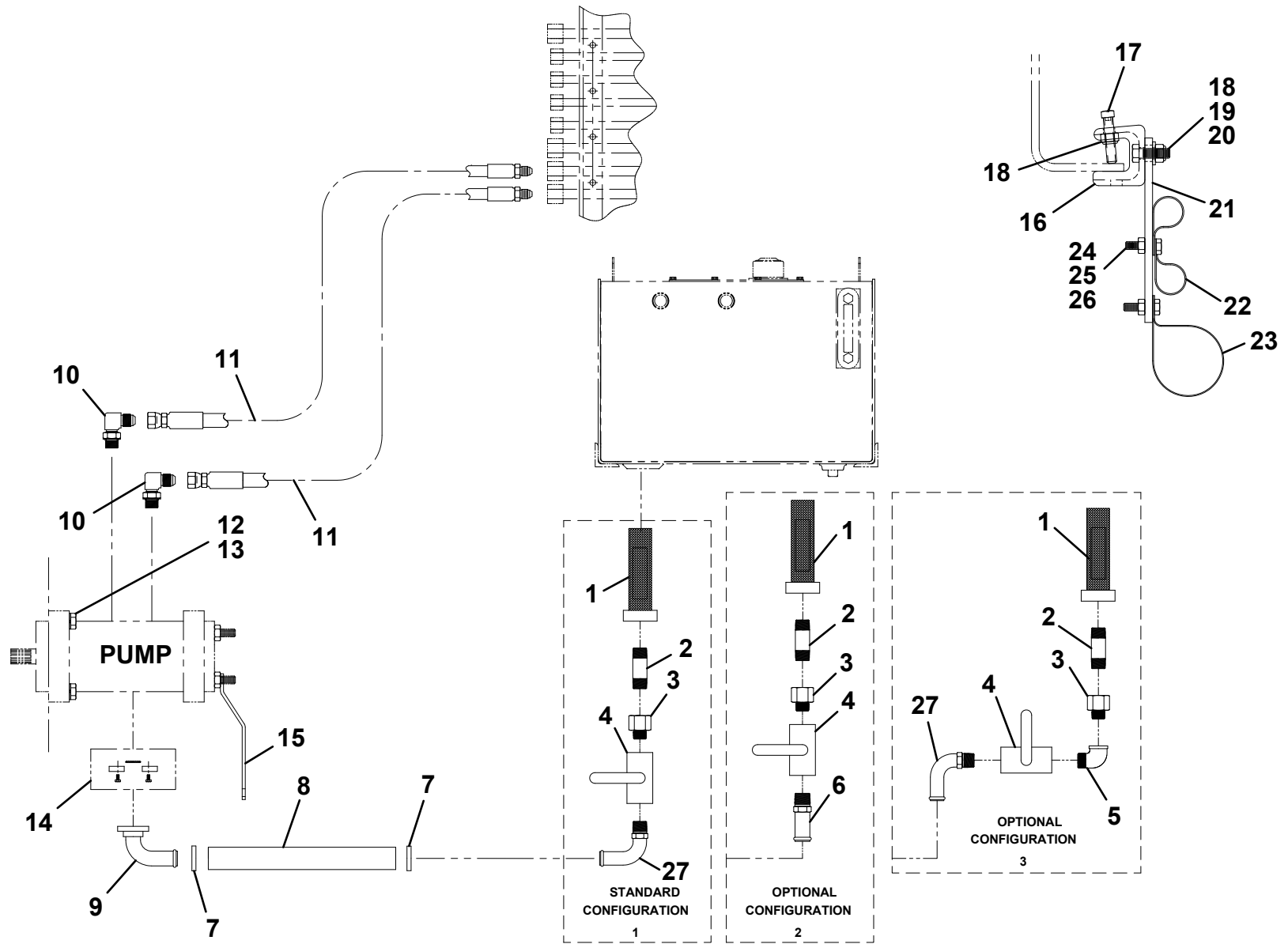
SUPPLY PRESSURE AND RETURN INSTALLATION - 282-321 WB



SUPPLY PRESSURE AND RETURN INSTALLATION - 322-361 WB

ITEM	PART NO.	DESCRIPTION	QTY
1	7430000010	Filter	1
2	7650100137	Fitting	1
3	7444121050	Reducer	1
4	7935000116	Valve	1
5	7444121271	Fitting	A/R
6	7443000130	Fitting	A/R
7	7274000028	Clamp	2
8	8565000026	Suction Hose	22 ft
9	1001145056	Fitting	1
10	7445121645	Fitting	2
11	1001228335	Hose	2
12	7115181050	Capscrew, 0.50"-13NC x 1.25"	2
13	7950180000	Lockwasher 0.59" ID	2
14	7577000213	Flange	1
15	4178000248	Bracket	1
16	7274000076	Clamp	10
17	7785152420	Screw, 0.38"- 18 x 1.50"	10
18	7660152601	Locknut, 0.31"-18NC	20
19	7115151050	Capscrew, 0.31"-18NC X 1.25"	10
20	7950150161	Flatwasher 0.31" ID	10
21	4706003844	Plate	10
22	7274000041	Clamp	20
23	7274000071	Clamp	10
24	7115140850	Capscrew, 0.25"-20NC x 1.00"	20
25	7950140152	Washer, 0.25" ID	20
26	7660142601	Locknut, 0.25" -20NC	20
27	7443000254	Fitting	1

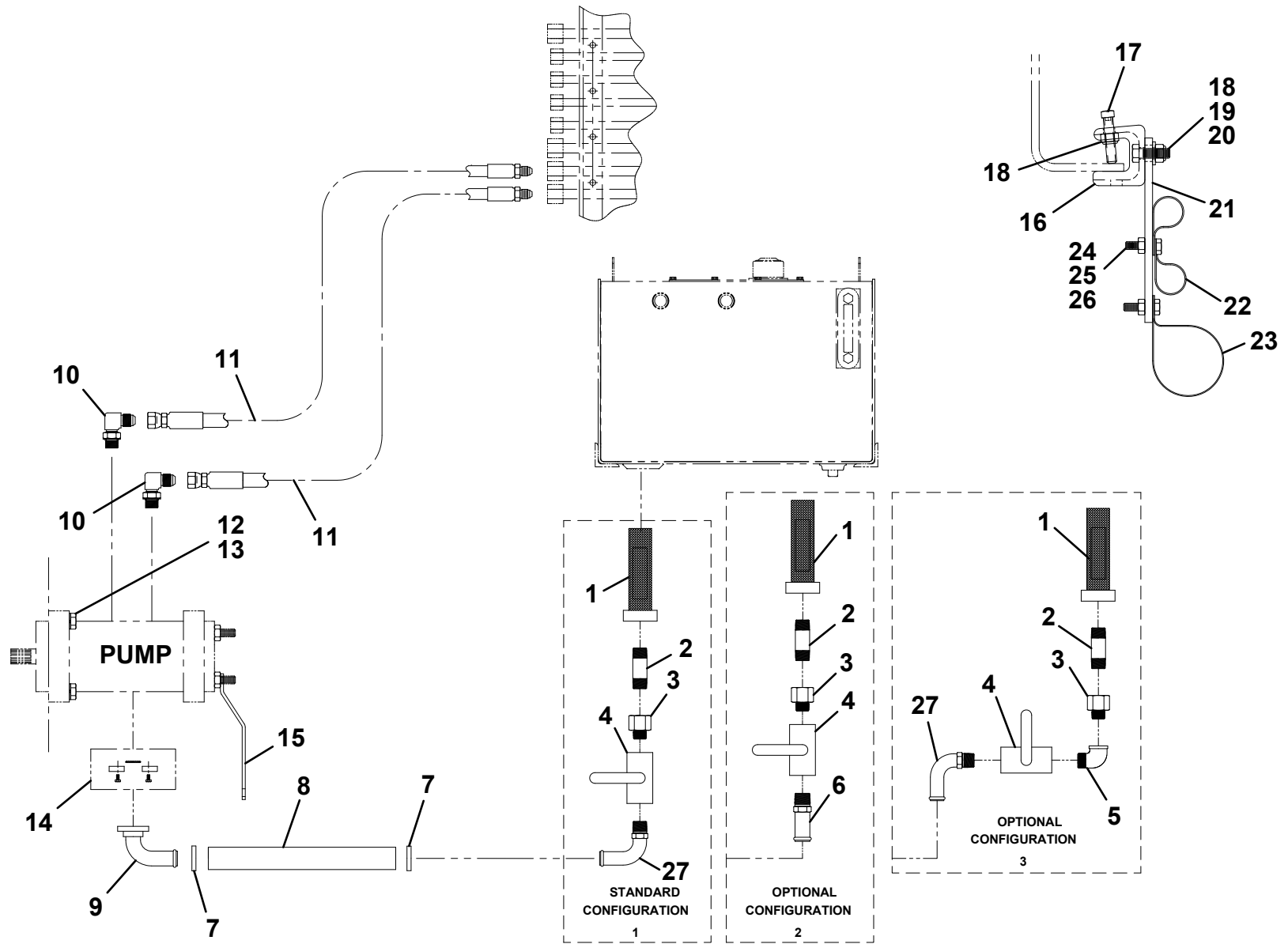
SUPPLY PRESSURE AND RETURN INSTALLATION - 322-361 WB



SUPPLY PRESSURE AND RETURN INSTALLATION - 362-401 WB

ITEM	PART NO.	DESCRIPTION	QTY
1	7430000010	Filter	1
2	7650100137	Fitting	1
3	7444121050	Reducer	1
4	7935000116	Valve	1
5	7444121271	Fitting	A/R
6	7443000130	Fitting	A/R
7	7274000028	Clamp	2
8	8565000026	Suction Hose	25 ft
9	1001145056	Fitting	1
10	7445121645	Fitting	2
11	1001228335	Hose	2
12	7115181050	Capscrew, 0.50"-13NC x 1.25"	2
13	7950180000	Lockwasher 0.59" ID	2
14	7577000213	Flange	1
15	4178000248	Bracket	1
16	7274000076	Clamp	10
17	7785152420	Screw, 0.38"- 18 x 1.50"	10
18	7660152601	Locknut, 0.31"-18NC	20
19	7115151050	Capscrew, 0.31"-18NC X 1.25"	10
20	7950150161	Flatwasher 0.31" ID	10
21	4706003844	Plate	10
22	7274000041	Clamp	20
23	7274000071	Clamp	10
24	7115140850	Capscrew, 0.25"-20NC x 1.00"	20
25	7950140152	Washer, 0.25" ID	20
26	7660142601	Locknut, 0.25" -20NC	20
27	7443000254	Fitting	1

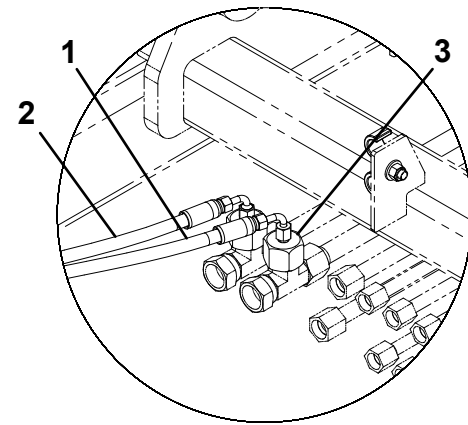
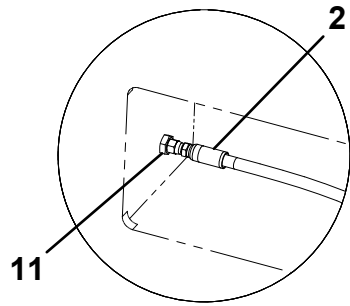
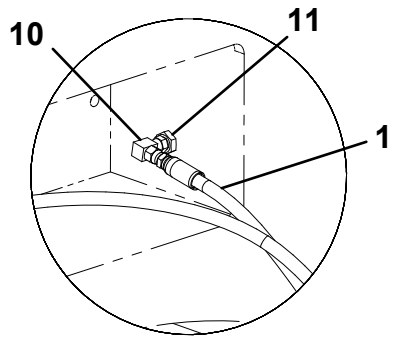
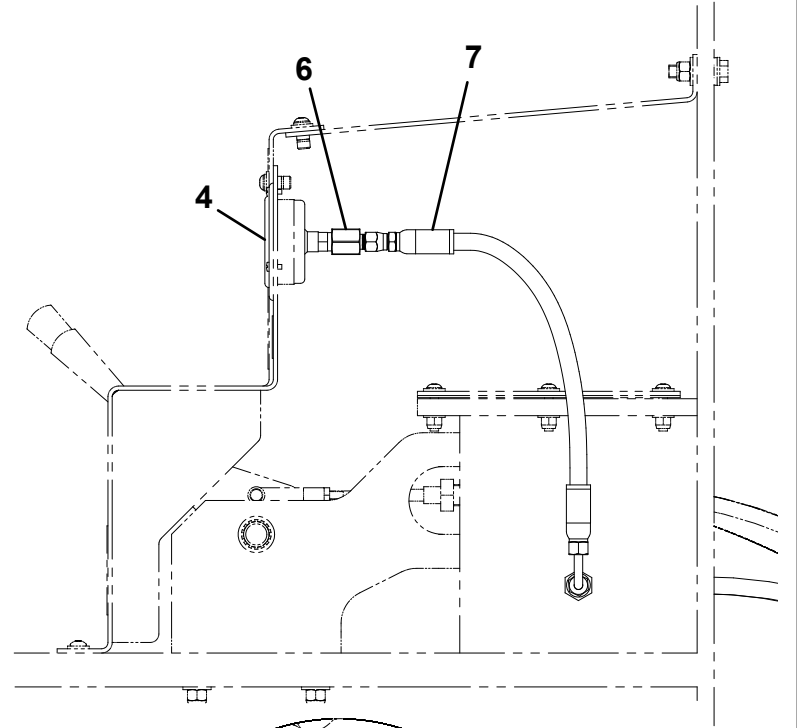
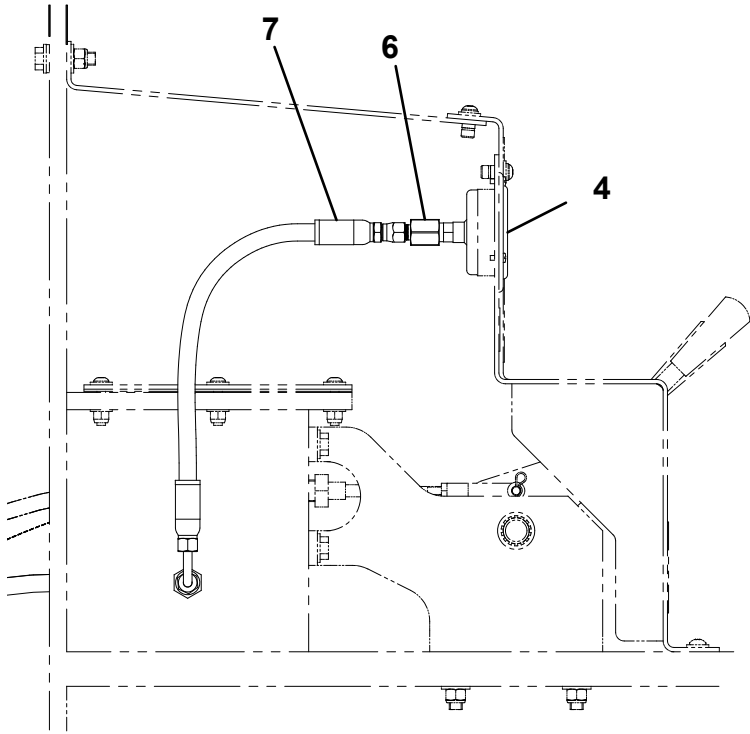
SUPPLY PRESSURE AND RETURN INSTALLATION - 362-401 WB



DRIVER SIDE GAUGE INSTALLATION

ITEM	PART NO.	DESCRIPTION	QTY
1	1001228166	Hose Assembly	1
2	1001228167	Hose Assembly	1
3	1001094694	Fitting	2
4	7470000004	Gauge	2
5	7790060676	Screw, #6 x 0.38"	6
6	7445040421	Fitting	2
7	1001219790	Hose Assembly	2
8	1001196909	Decal	1
9	1001196910	Decal	1
10	2220654	Fitting	1
11	2230021	Fitting	2

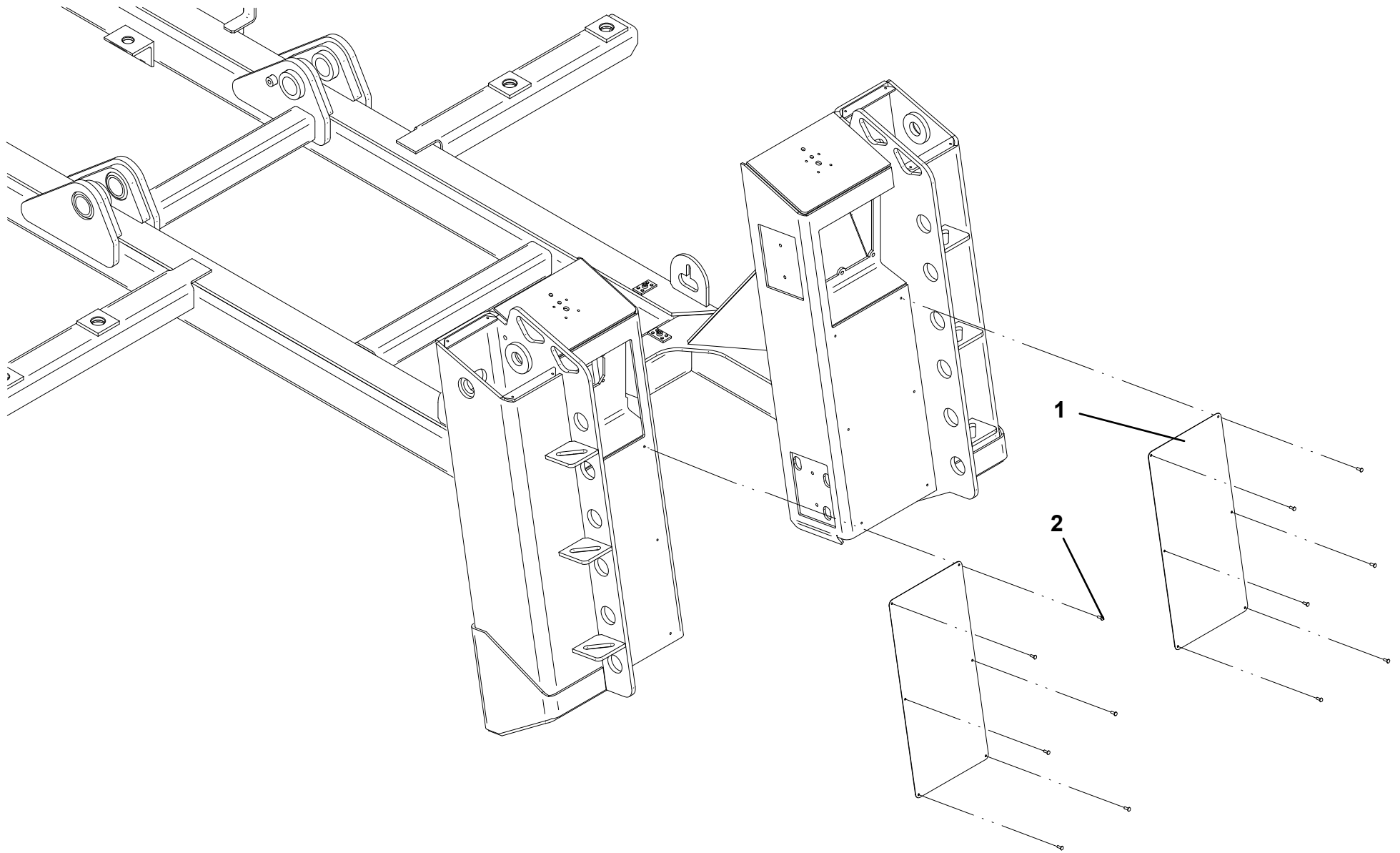
DRIVER SIDE GAUGE INSTALLATION



REAR TAIL PLATE INSTALLATION

ITEM	PART NO.	DESCRIPTION	QTY
1	4706002491	Plate	2
2	7759000018	Rivet	12

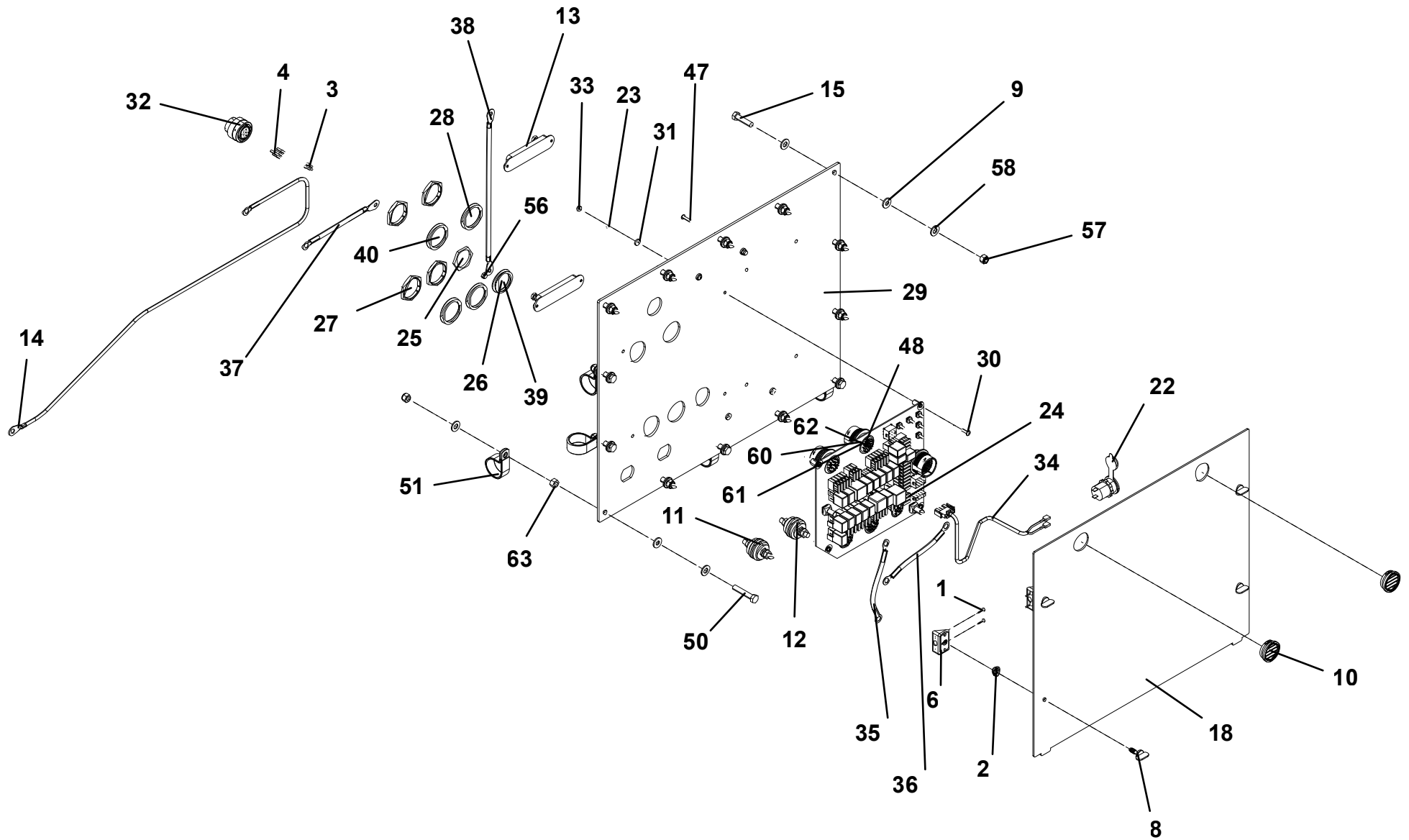
REAR TAIL PLATE INSTALLATION



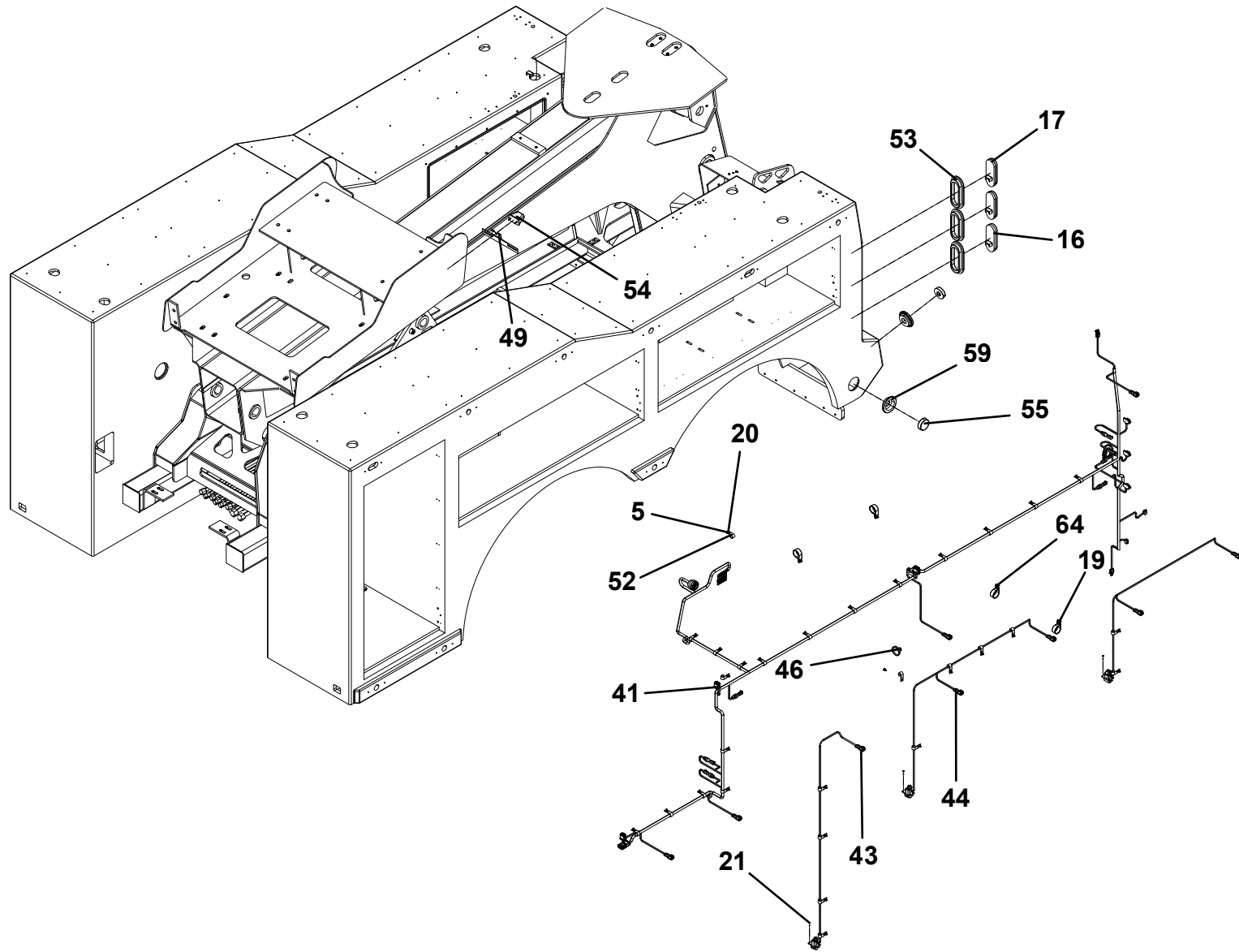
BODY WIRING INSTALLATION

ITEM	PART NO.	DESCRIPTION	QTY	ITEM	PART NO.	DESCRIPTION	QTY
1	750604	Screw	8	40	1001209366	Seal	4
2	3760308	Retainer	4	41	1001228361	Harness, LH	1
3	4460466	Terminal	3	42	1001228362	Harness, RH	1
4	4460509	Terminal	4	43	1001209056	Harness, Tunnel	2
5	4740513	Washer, 0.25" ID	2	44	1001216186	Harness, Marker lights	2
6	1001122235	Bracket	4	45	1001216187	Harness, Marker Lights	2
7	1001130310	Adhesive	A/R	46	5526000553	Tie Strap	25
8	1001166930	Latch	4	47	7114100618	Screw, #10-24 X 0.75"	2
9	1001166974	Washer, 0.38" ID	14	48	7114100818	Screw, #10-24 X 1.00"	2
10	1001167607	Plug	2	49	7178000025	Licence Plate Bracket	1
11	1001168320	Terminal	1	50	1001169083	Capscrew, 0.38"-16 X 2.00	5
12	1001168321	Terminal	1	51	7274000042	Clamp	9
13	1001168322	Terminal	2	52	7280000006	Clip	57
14	1001168328	Cable	1	53	7493000026	Grommet	6
15	1001168993	Capscrew, 0.38"-16 x 1.50"	9	54	7590000105	licence Plate Bracket	1
16	1001174680	Lamp	2	55	7590000343	Light	4
17	7590000370	Lamp	4	56	7660102601	Nut, #10 - 24NC	2
18	1001191602	Panel	1	57	7660162601	Locknut, 0.38" - 16NC	14
19	1001194676	Screw, 0.25" x 0.75"	4	58	7950160143	Flatwasher, 0.38" ID	28
20	1001195257	Screw, 0.25" x 0.50"	57	59	1001220431	Grommet	4
21	1001196552	Screw, #8 x 0.75"	24	60	7661000002	Nut, #10-24	2
22	1001201384	Socket	1	62	7274000036	Clamp	1
23	1001201926	Washer, #10 ID	8	63	7660160001	Nut, 0.38" - 16NC	5
24	1001203234	Electrical Assembly	1	64	7950140143	Flatwasher, 0.25" ID	4
25	1001204788	Terminal	1	65	3311001	Nut, #10-24NC	2
26	1001204789	Terminal	1				
27	1001205043	Terminal	4				
28	1001205044	Terminal	4				
29	1001206505	Plate	1				
30	1001207734	Screw	4				
31	1001207736	Washer, #10 ID	8				
32	1001208066	Socket	1				
33	1001208303	Nut, #10 - 24	4				
34	1001209031	Harness	1				
35	1001209040	Cable	1				
36	1001209041	Cable	1				
37	1001209042	Cable	1				
38	1001209044	Cable	1				
39	1001209365	Seal	1				

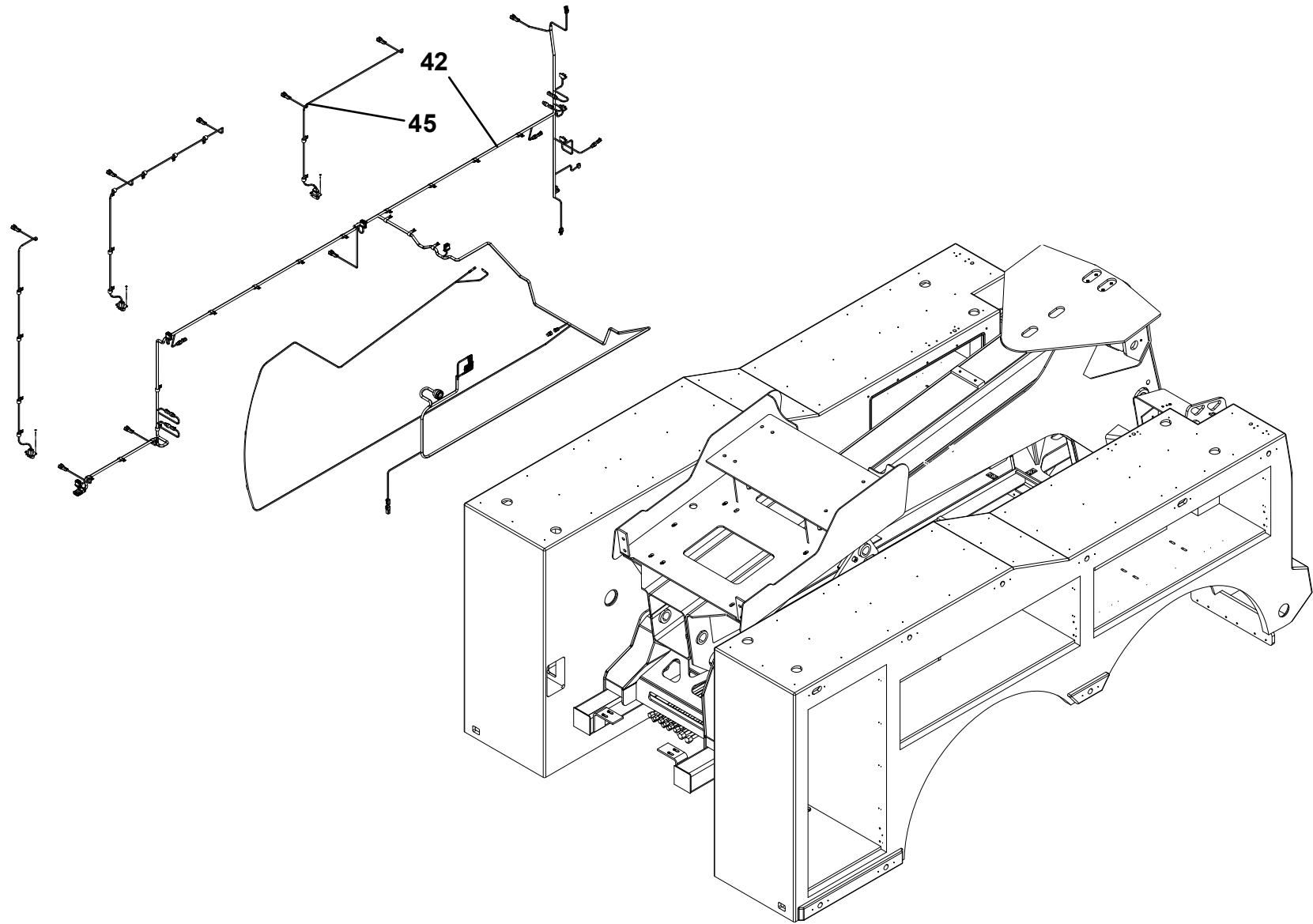
BODY WIRING INSTALLATION



BODY WIRING INSTALLATION



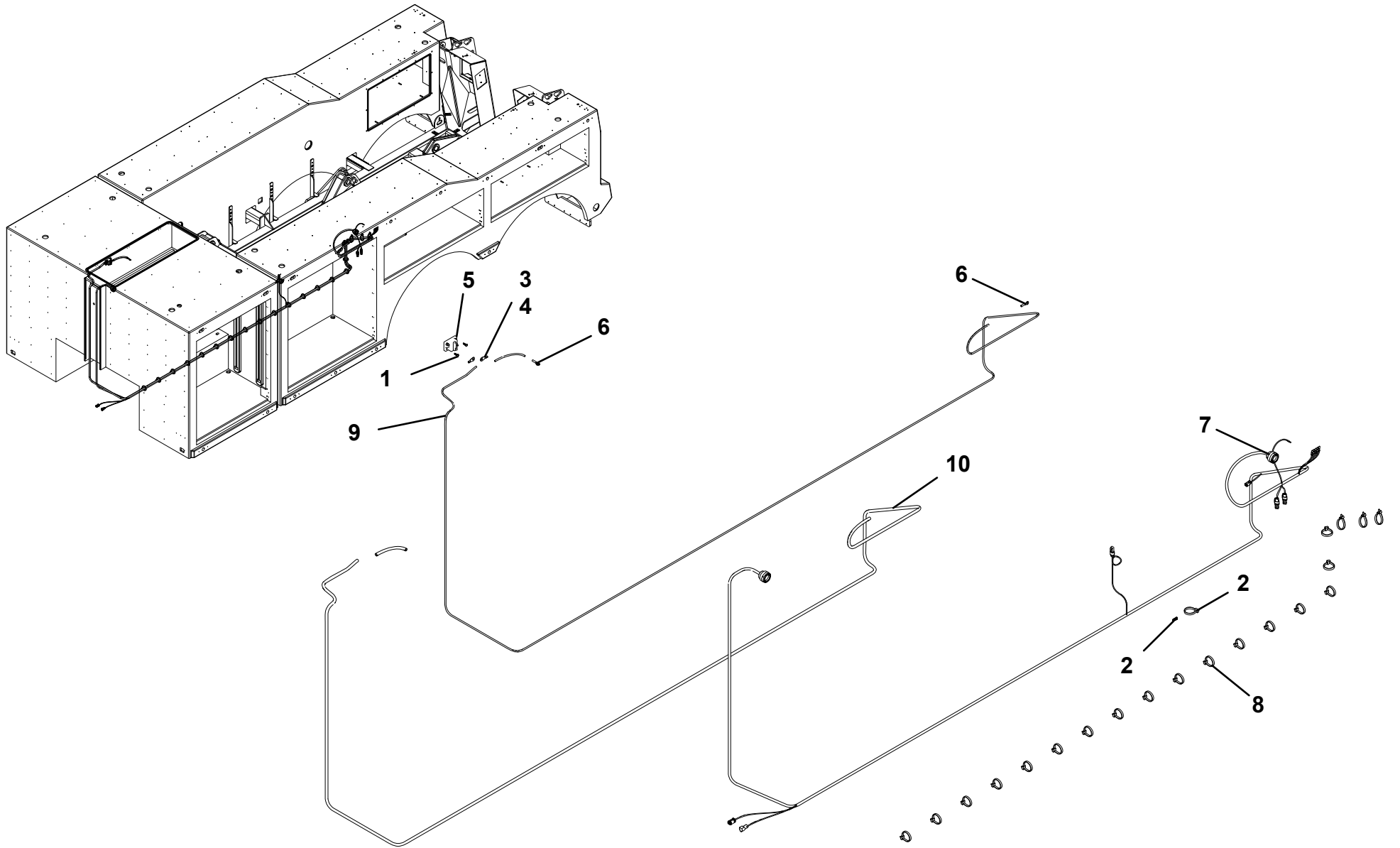
BODY WIRING INSTALLATION



CENTER WIRING HARNESS INSTALLATION

ITEM	PART NO.	DESCRIPTION	QTY
1	1001194676	Screw, 0.25" x 0.75"	2
2	1001202986	Strap	1
3	7345242202	Terminal	2
4	7346000045	Tubing	.25ft
5	7870000043	Switch	1
6	1001125479	Terminal	2
7	1001217442	Harness	1
8	5526000553	Tie Strap	21
9	7978000011	Cable	25ft
10	8597650001	Wire Loom	25ft

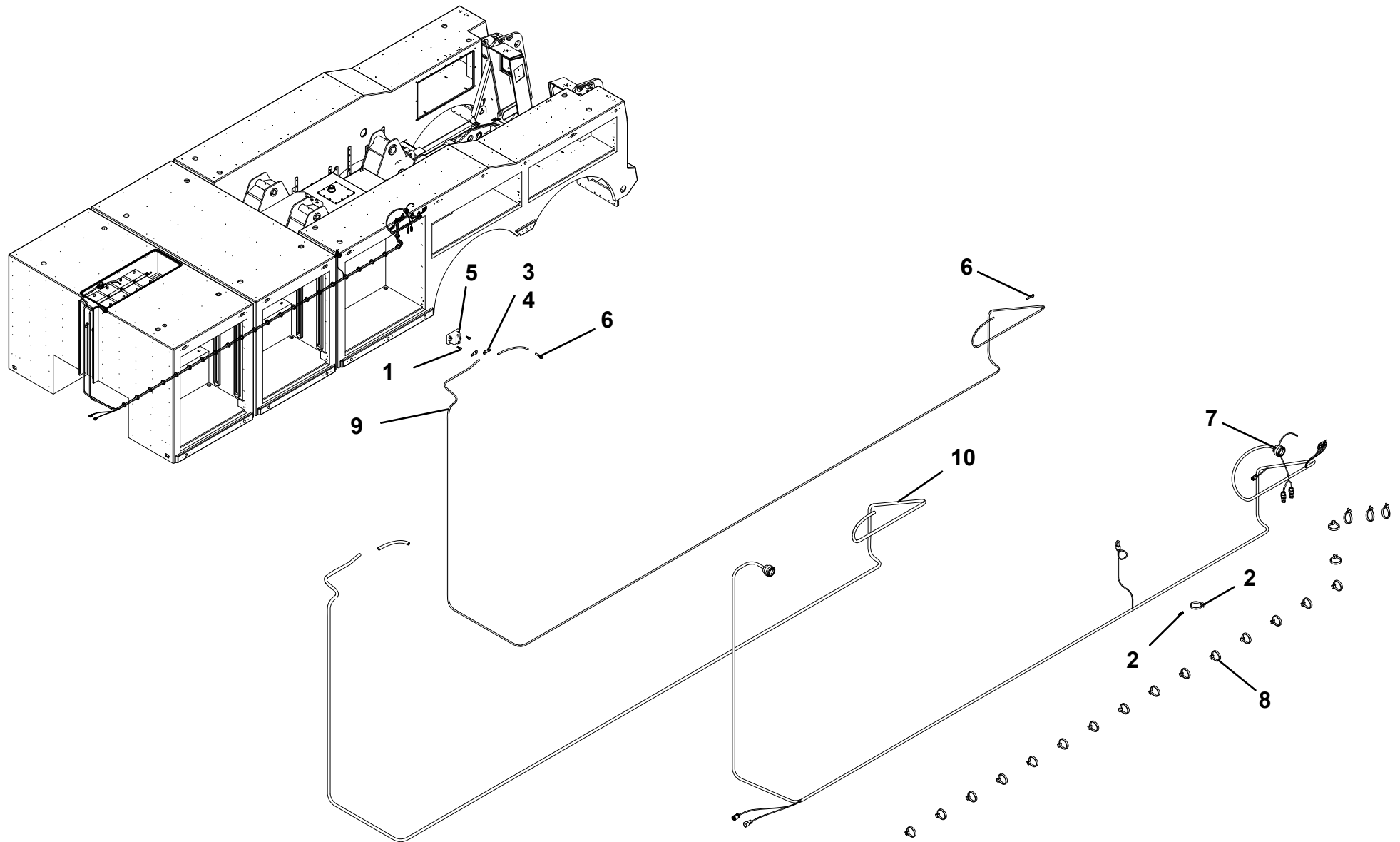
CENTER WIRING HARNESS INSTALLATION



CENTER WIRING HARNESS INSTALLATION

ITEM	PART NO.	DESCRIPTION	QTY
1	1001194676	Screw, 0.25" x 0.75"	2
2	1001202986	Strap	1
3	7345242202	Terminal	2
4	7346000045	Tubing	.25ft
5	7870000043	Switch	1
6	1001125479	Terminal	2
7	1001217442	Harness	1
8	5526000553	Tie Strap	21
9	7978000011	Cable	29ft
10	8597650001	Wire Loom	29ft

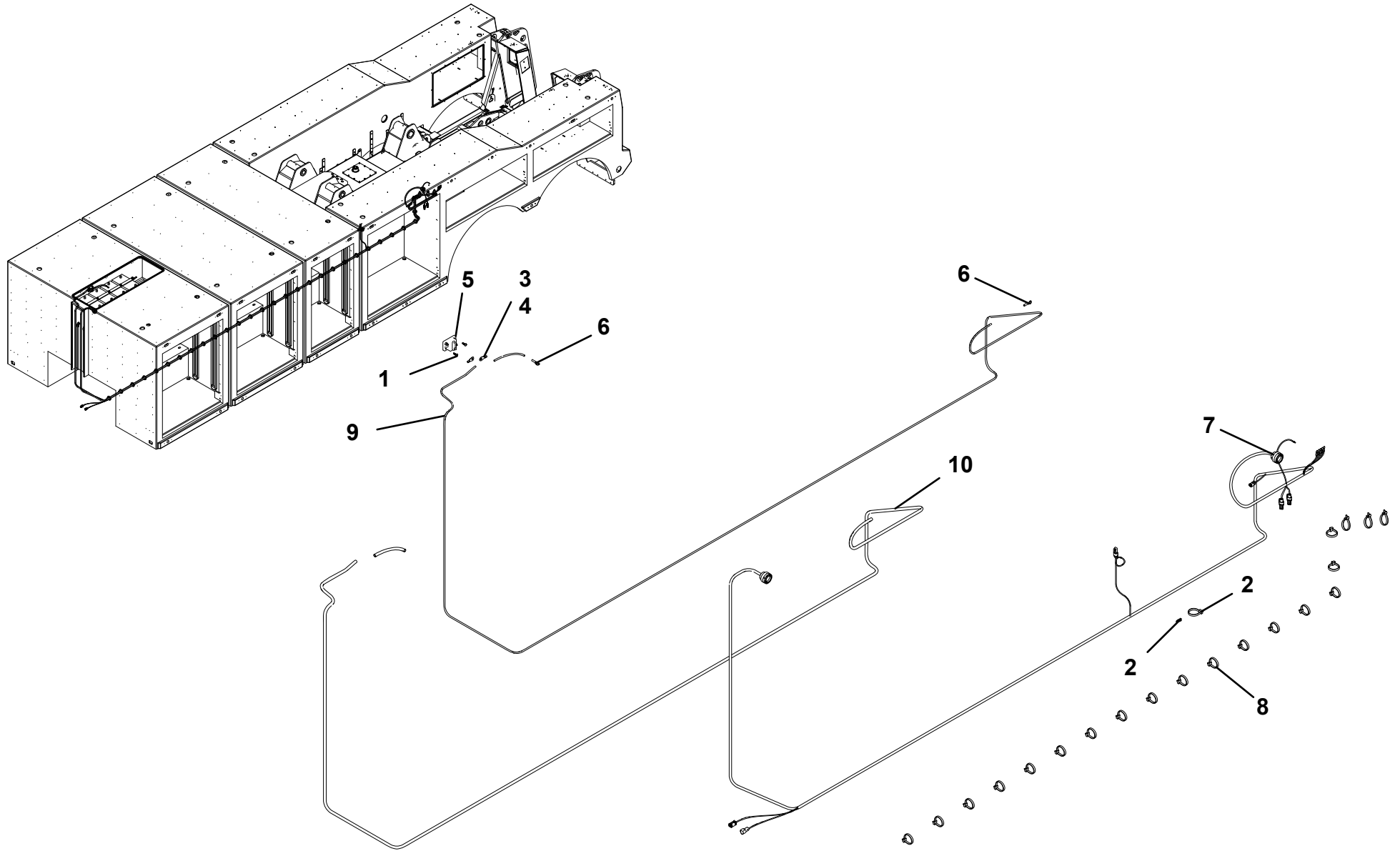
CENTER WIRING HARNESS INSTALLATION



CENTER WIRING HARNESS INSTALLATION

ITEM	PART NO.	DESCRIPTION	QTY
1	1001194676	Screw, 0.25" x 0.75"	2
2	1001202986	Strap	1
3	7345242202	Terminal	2
4	7346000045	Tubing	.25ft
5	7870000043	Switch	1
6	1001125479	Terminal	2
7	1001217442	Harness	1
8	5526000553	Tie Strap	21
9	7978000011	Cable	32ft
10	8597650001	Wire Loom	32ft

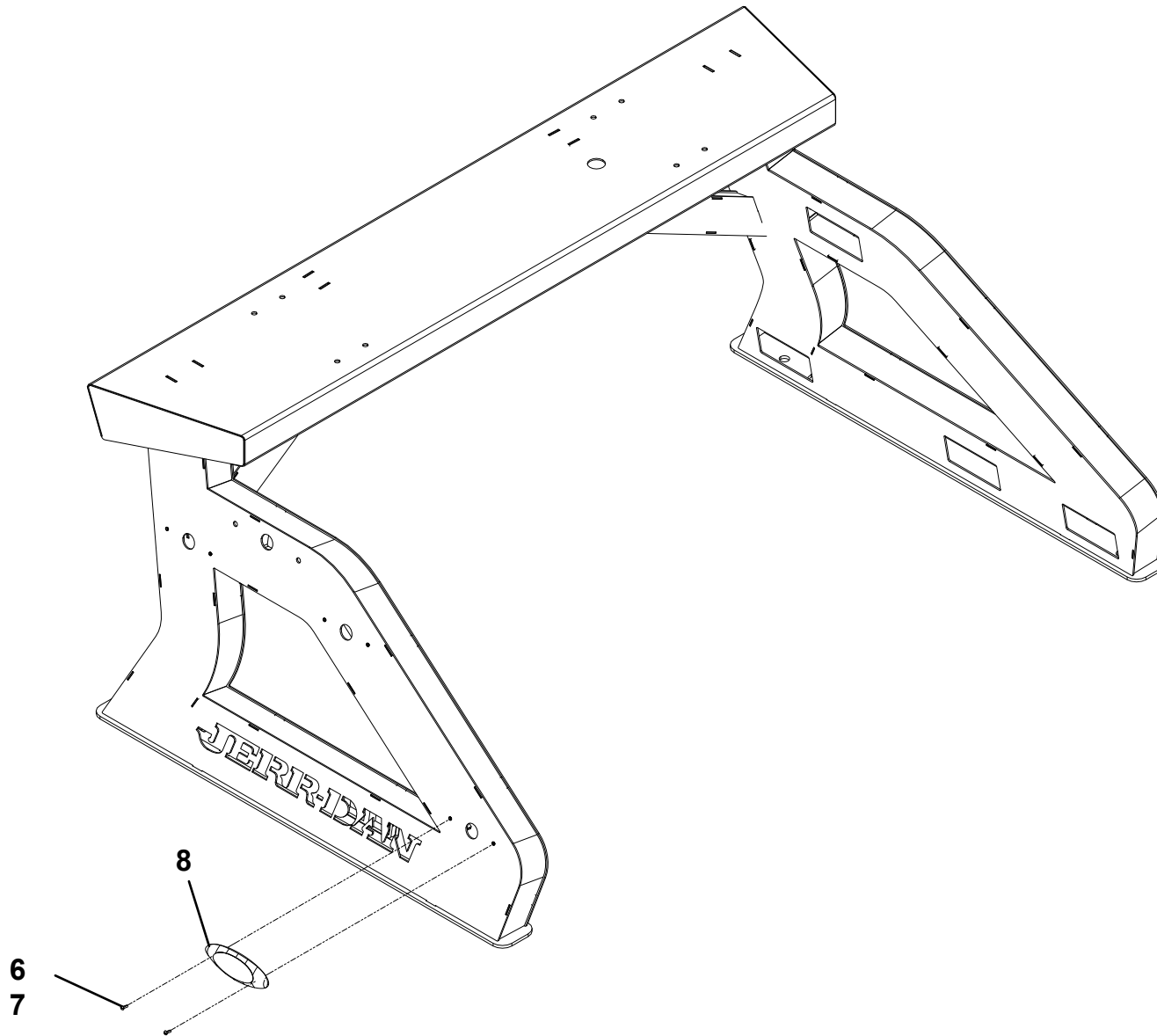
CENTER WIRING HARNESS INSTALLATION



PYLON LIGHT INSTALLATION

ITEM	PART NO.	DESCRIPTION	QTY
1	1001151546	Nut, #8 - 32NC	12
2	7114080418	Screw, #8 - 32NC x 0.50"	12
3	7590000358	Light	6

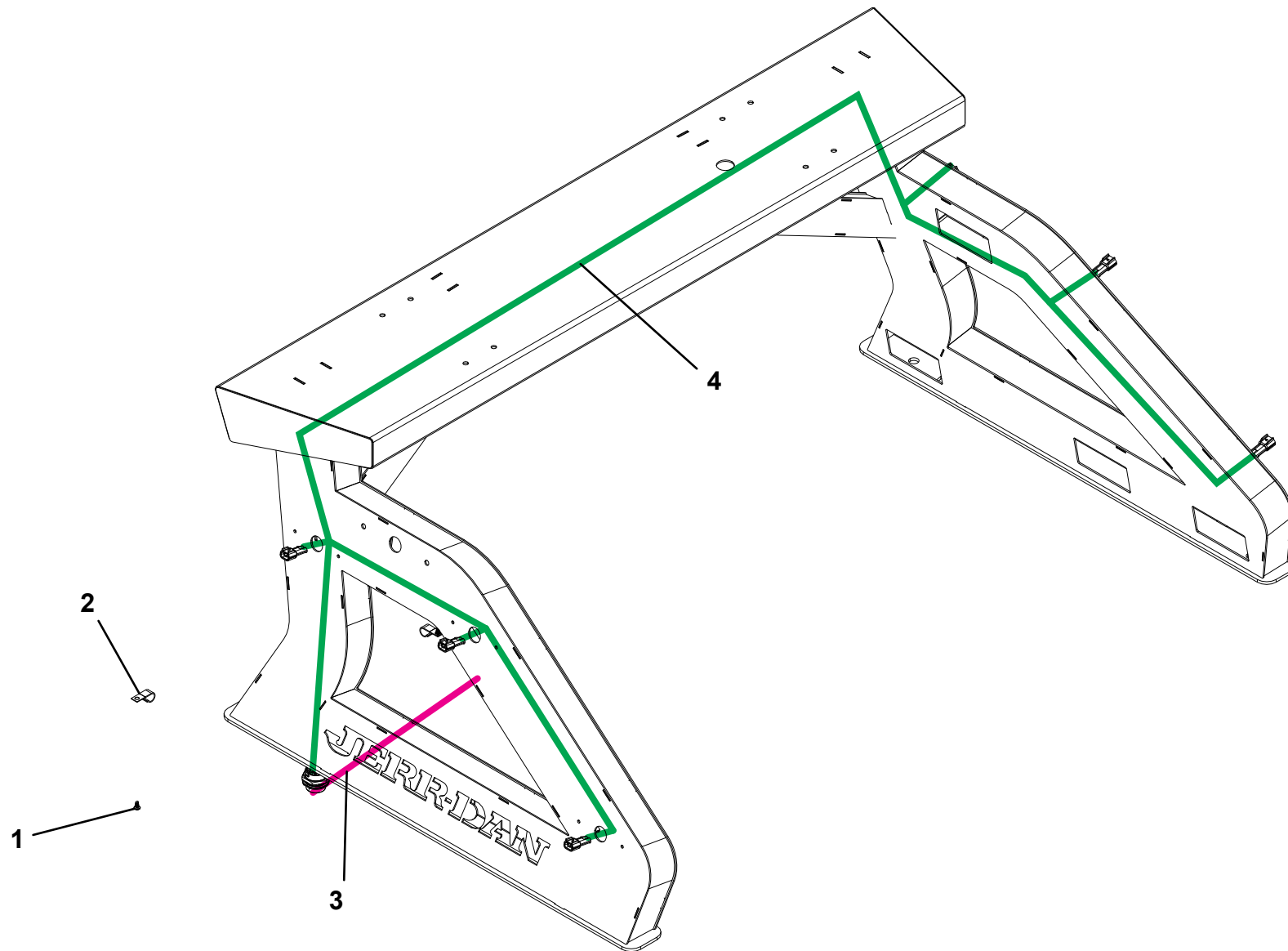
PYLON LIGHT INSTALLATION



PYLON HARNESS INSTALLATION

ITEM	PART NO.	DESCRIPTION	QTY
1	1001195257	Screw, 0.25" x 0.50"	3
2	7280000006	Clip	3
3	1001214605	Harness	1
4	1001214606	Harness	1

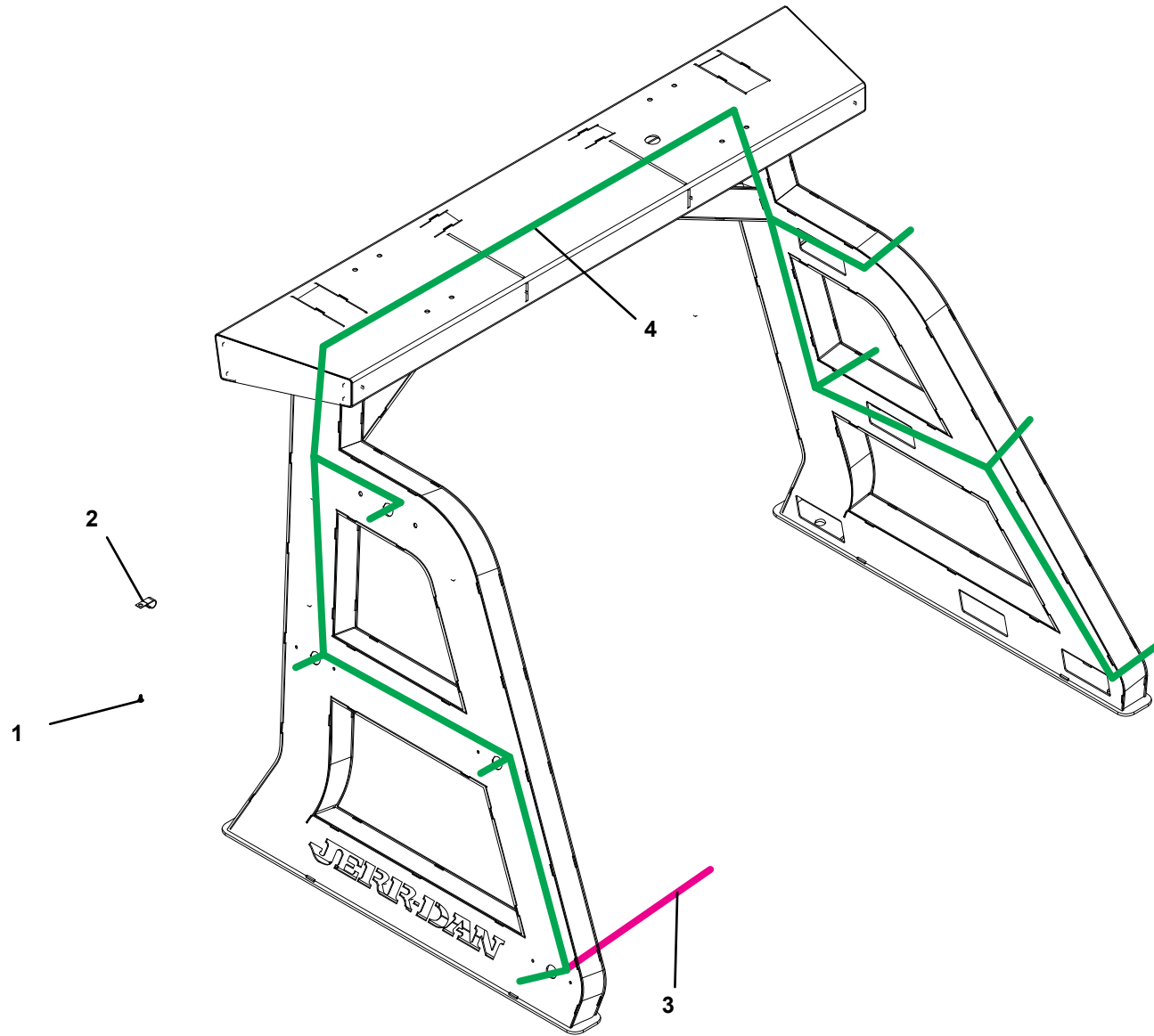
PYLON HARNESS INSTALLATION



PYLON HARNESS INSTALLATION

ITEM	PART NO.	DESCRIPTION	QTY
1	1001195257	Screw, 0.25" x 0.50"	3
2	7280000006	Clip	3
3	1001214605	Harness	1
4	1001215110	Harness	1

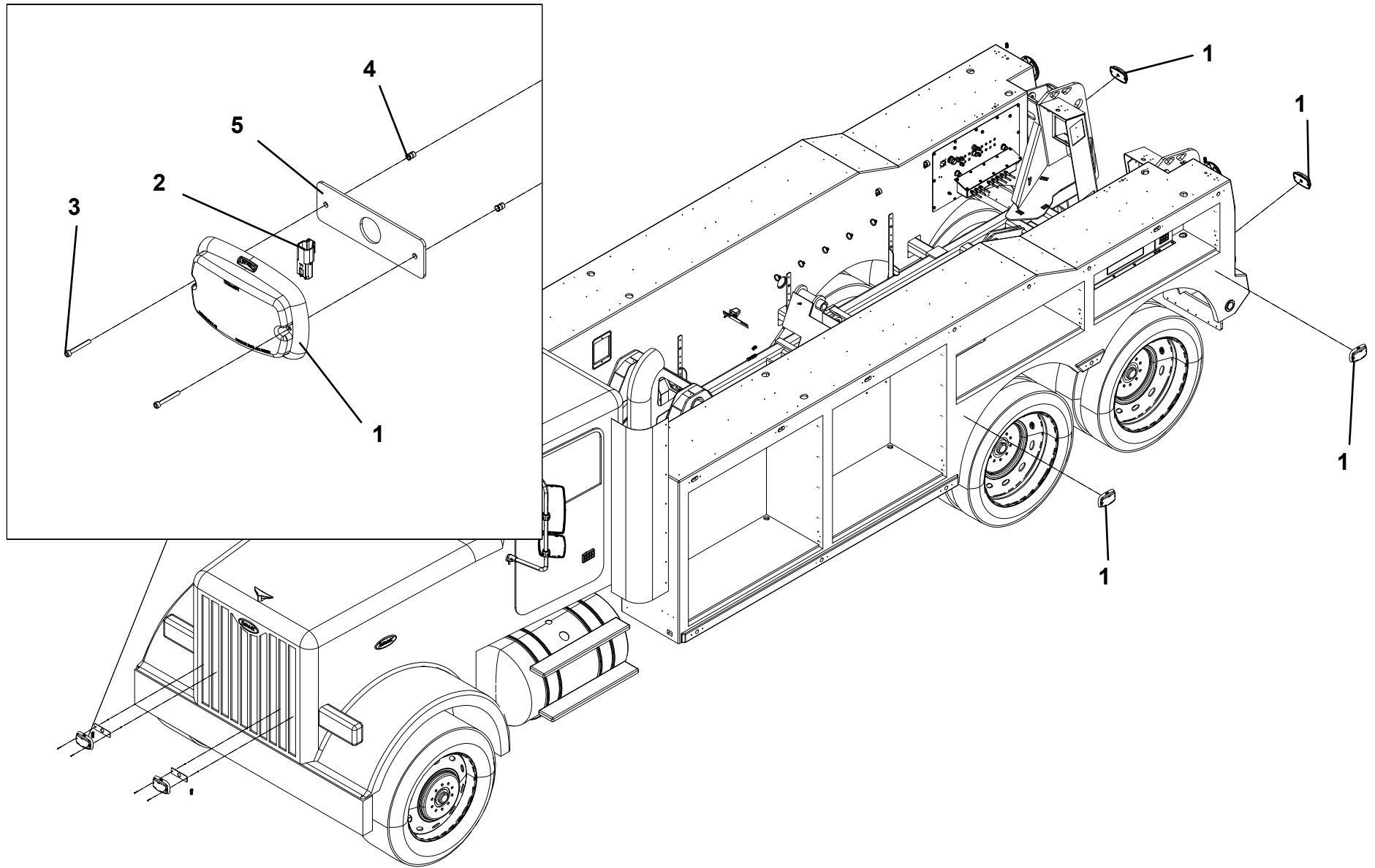
PYLON HARNESS INSTALLATION



FLASHER LIGHT INSTALLATION

ITEM	PART NO.	DESCRIPTION	QTY
1	1001143284	Lamp	8
2	1001215157	Harness	1
3	3930820	Capscrew, #8 - 32NC x 1.25"	4
4	1001151546	Nut, #8 - 32NC	4
5	1001216586	Bar	2
6	7894000004	Tiestrap	20

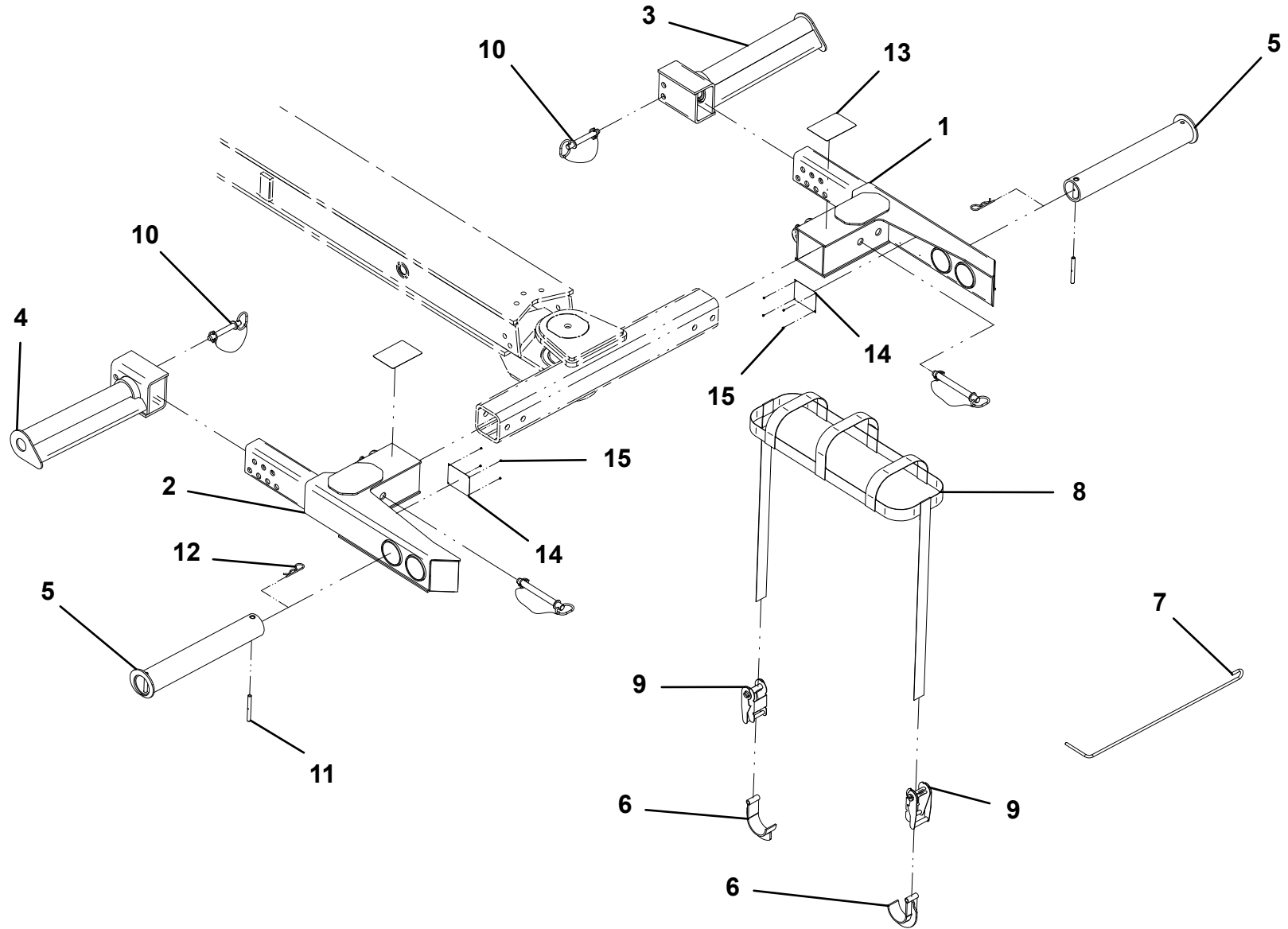
FLASHER LIGHT INSTALLATION



UNDERLIFT TOOLS - 14,000 LB TIRE LIFT

ITEM	PART NO.	DESCRIPTION	QTY
1	3484000048	Tire Lift Grid - RH	1
2	3484000049	Tire Lift Grid - LH	1
3	3020000120	Tire Lift Arm Weldment - RH	1
4	3020000119	Tire Lift Arm Weldment - LH	1
5	3912000038	Tire Lift Tube Weldment	2
6	3561000008	Hook	4
7	4561000012	Pull Hook	1
8	7894000037	Strap	2
9	7894000028	Ratchet Strap	4
10	7691000026	Hitch Pin	2
11	4691000274	Pin	4
12	7691000020	Hairpin	4
13	7330000278	Decal, Caution	2
14	1001132268	Decal, Rating	2
15	7759000004	Pop Rivet	8

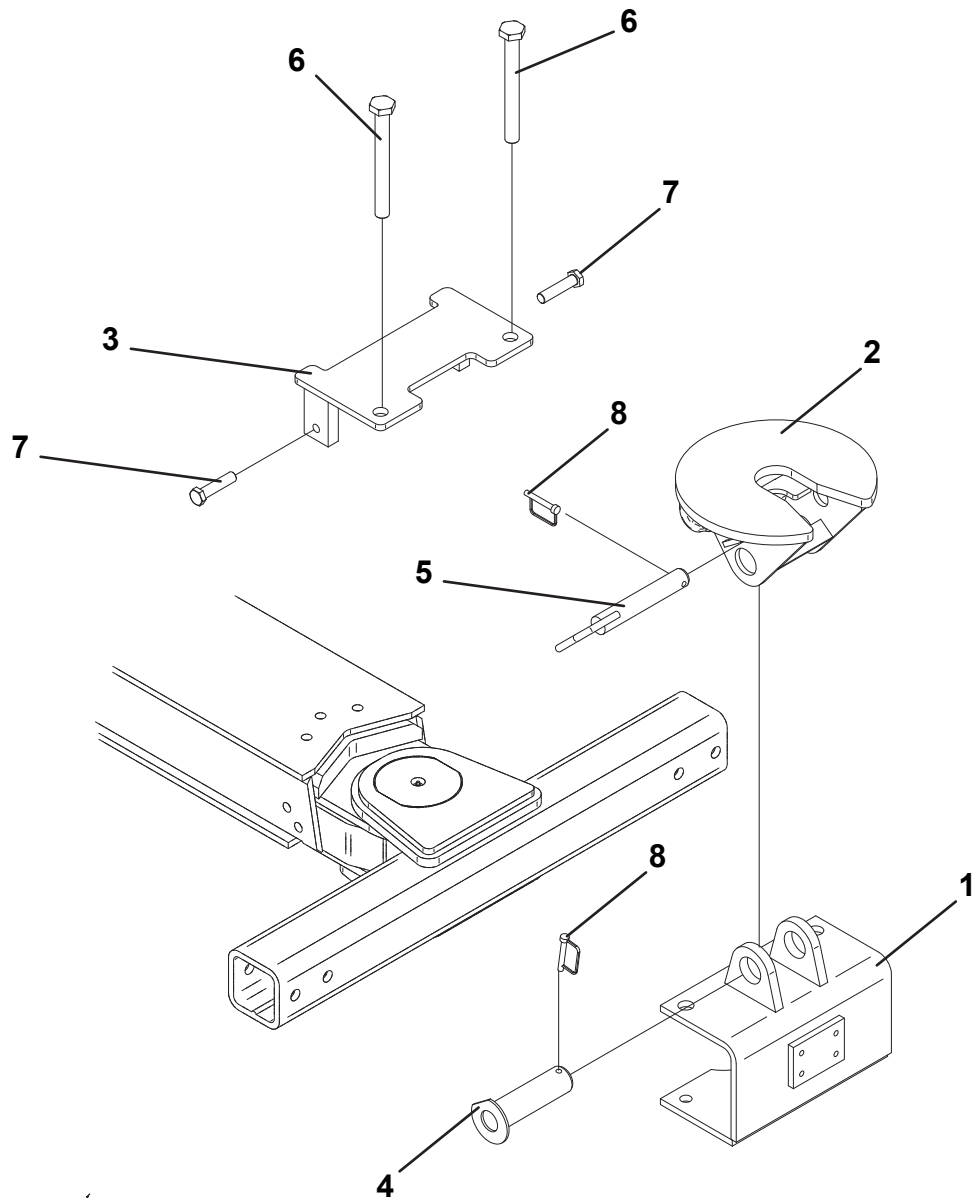
UNDERLIFT TOOLS - 14,000 LB TIRE LIFT



UNDERLIFT TOOLS - 5TH WHEEL INSTALLATION

ITEM	PART NO.	DESCRIPTION	QTY
1	3178000240	Bracket	1
2	3178000499	Bracket	1
3	3706000080	Plate	1
4	3691000144	Pin	1
5	3691000145	Pin	1
6	7118267250	Capscrew, 1.00" - 8UNC x 9.00"	2
7	7120000036	Capscrew, 0.75" - 10UNC x 3.25"	2
8	7691000025	Pin	2

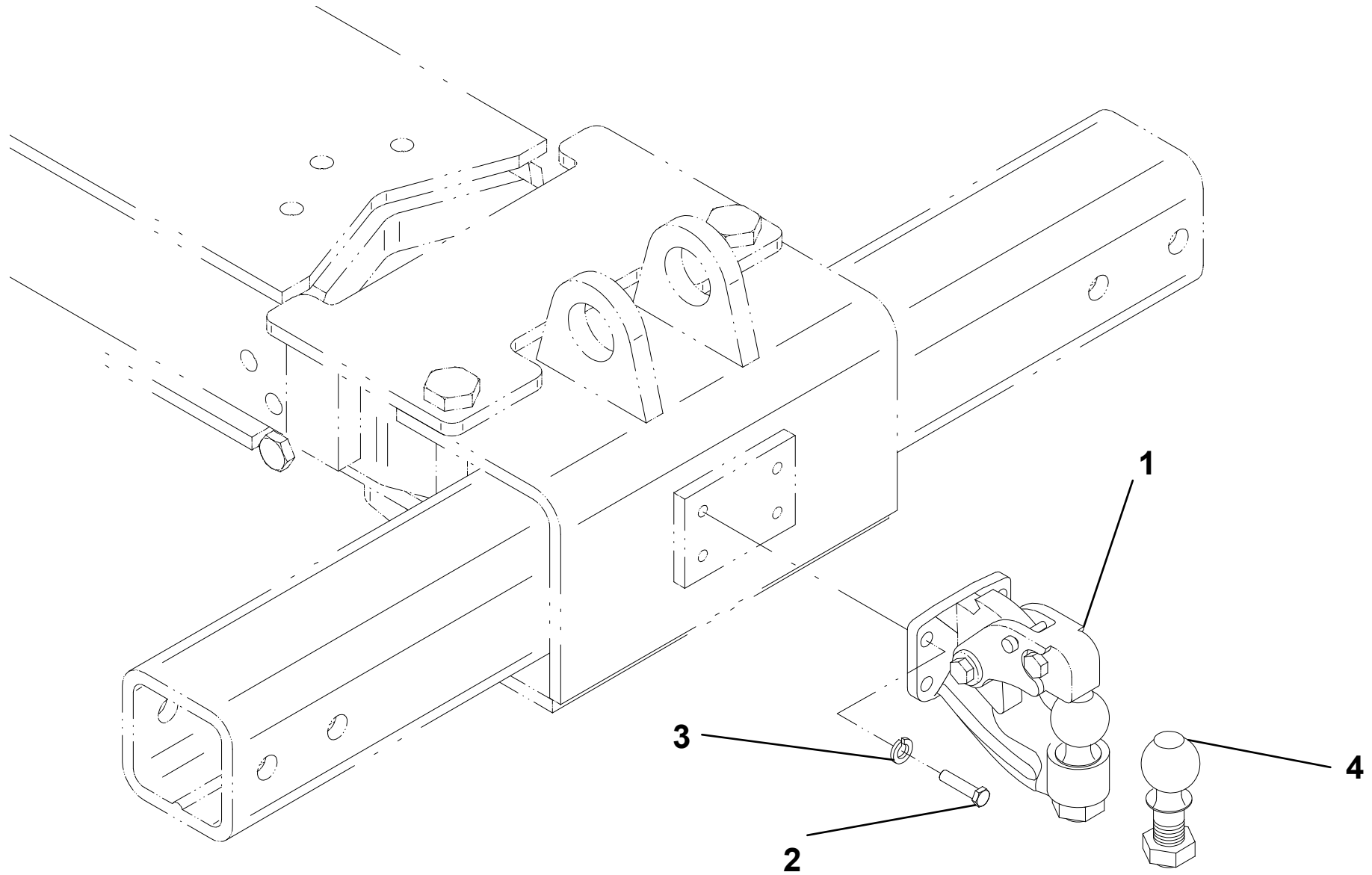
UNDERLIFT TOOLS - 5TH WHEEL INSTALLATION



UNDERLIFT TOOLS - PINTLE HOOK

ITEM	PART NO.	DESCRIPTION	QTY
1	7561000020	Hitch, Pintle Hook with 2" Dia. Ball	1
2	7118181250	Capscrew, 0.50"-13NC x 1.50"	4
3	7950180000	Lockwasher, 0.50" ID	4
4	7056000003	Ball, 1.88" Dia	1
	7056000004	Ball, 2.00" Dia	
	7056000005	Ball, 2.31" Dia	
	7056000006	Ball, 50mm Dia	

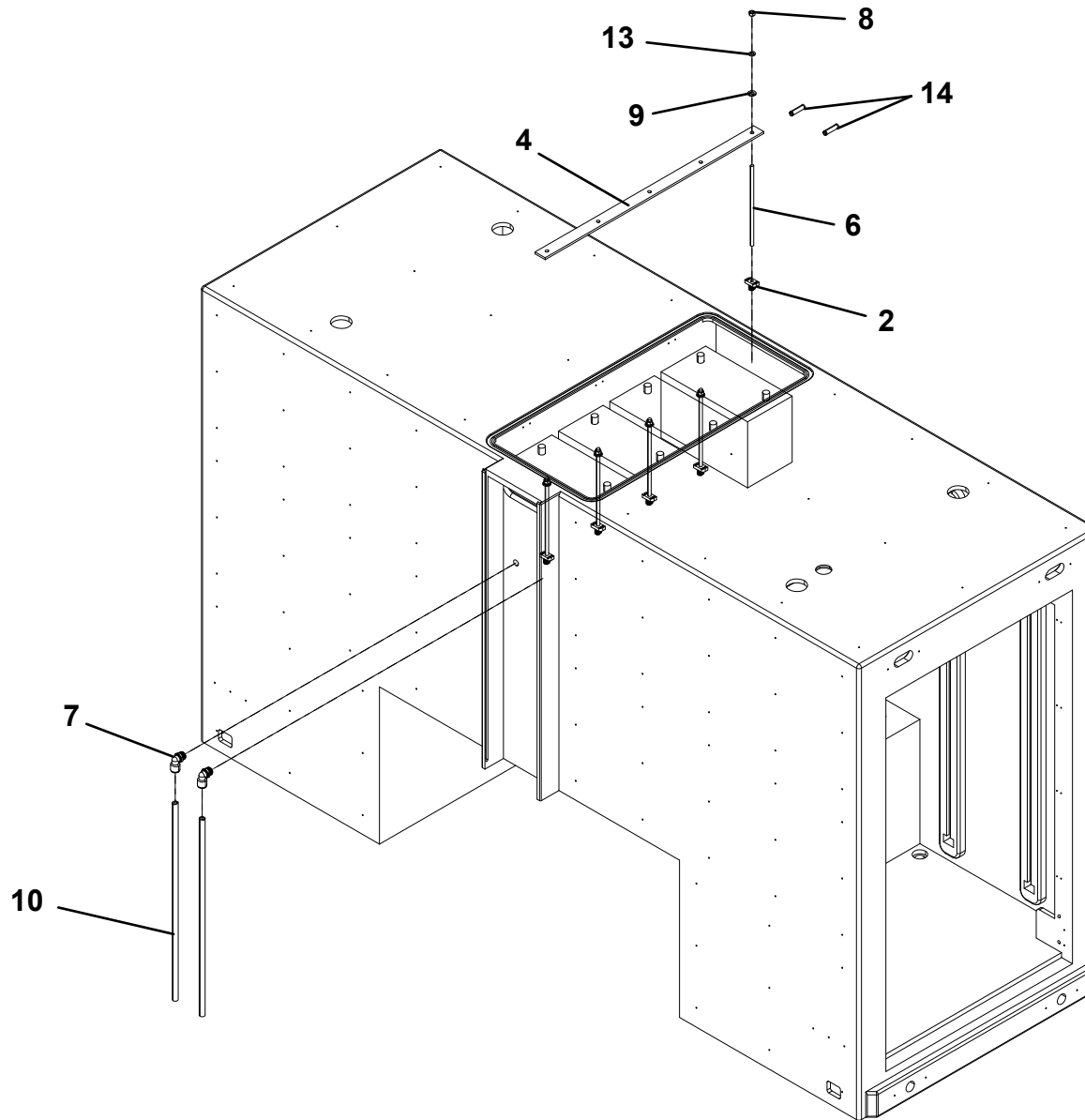
UNDERLIFT TOOLS - PINTLE HOOK



BATTERY RELOCATION INSTALLATION

ITEM	PART NO.	DESCRIPTION	QTY
1	1060706	Cable	8ft
2	1001166644	Nut, 0.38" - 16NC	5
3	1001166670	Rod, 0.38" - 16NC	5
4	1001183200	Bar	1
6	1001188538	Cable	8ft
7	7446100836	Fitting	2
8	7660160000	Nut, 0.38" - 16NC	5
9	7950160153	Flatwasher, 0.38" ID	5
10	7565000015	Tube	4ft
11	7346000131	Connector	8
12	7346000040	Tube	1
13	7950160000	Lockwasher, 0.38" ID	5
14	1001217996	Connector	2
15	1001210960	Wire	4ft

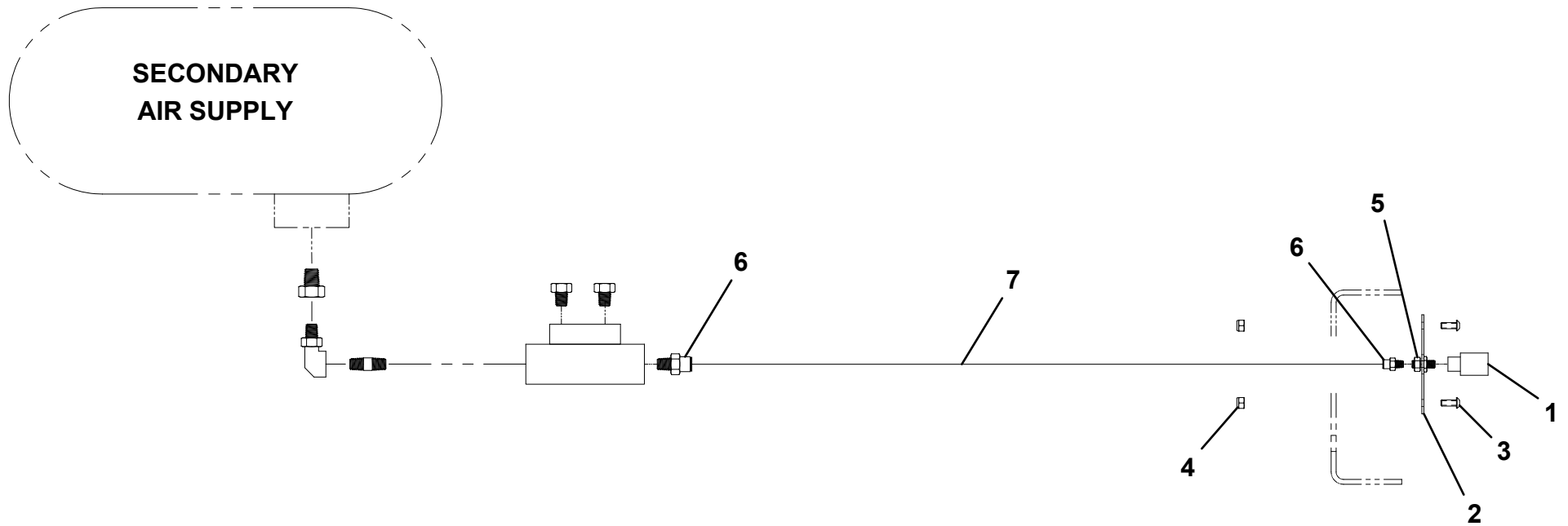
BATTERY RELOCATION INSTALLATION



AUXILIARY AIR INSTALLATION

ITEM	PART NO.	DESCRIPTION	QTY
1	7312000017	Coupling	1
2	4811001135	plate	1
3	7114140518	Capscrew, 0.25" - 20NC x 0.62"	4
4	7660142604	Locknut, 0.25" - 20NC	4
5	7446502518	Fitting	1
6	7443000175	Fitting	2
7	7565000014	Tubing	25ft

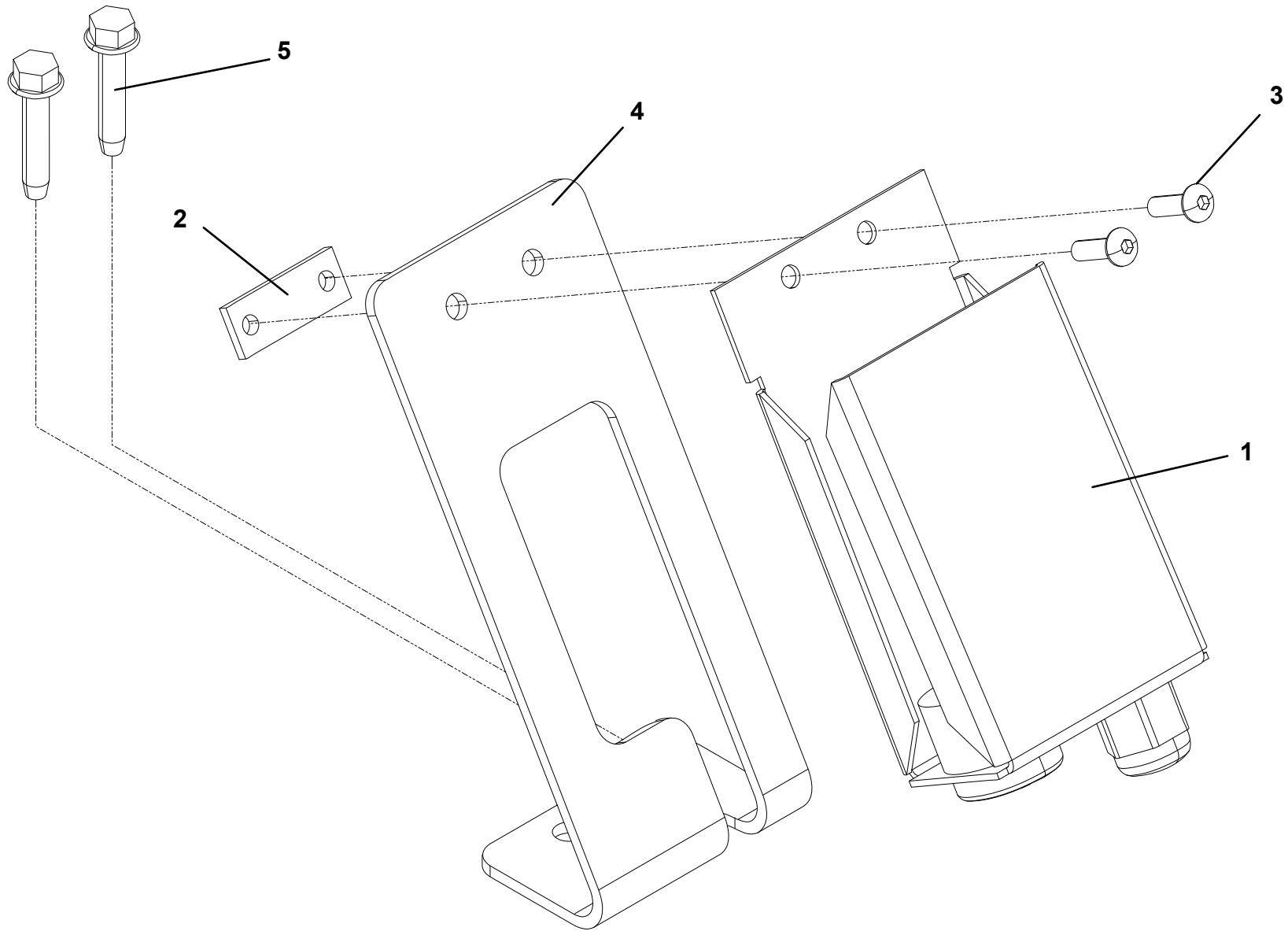
AUXILIARY AIR INSTALLATION



WIRELESS REMOTE HOLDER INSTALLATION

ITEM	PART NO.	DESCRIPTION	QTY
1	7002000521	Wireless Remote Holder	1
2	7661000056	Nut, #10-24NC	1
3	7114100518	Bolt, #10-24NC	2
4	1001230127	Mount	1
5	7790142051	Screw, 0.25" x 1.25"	2

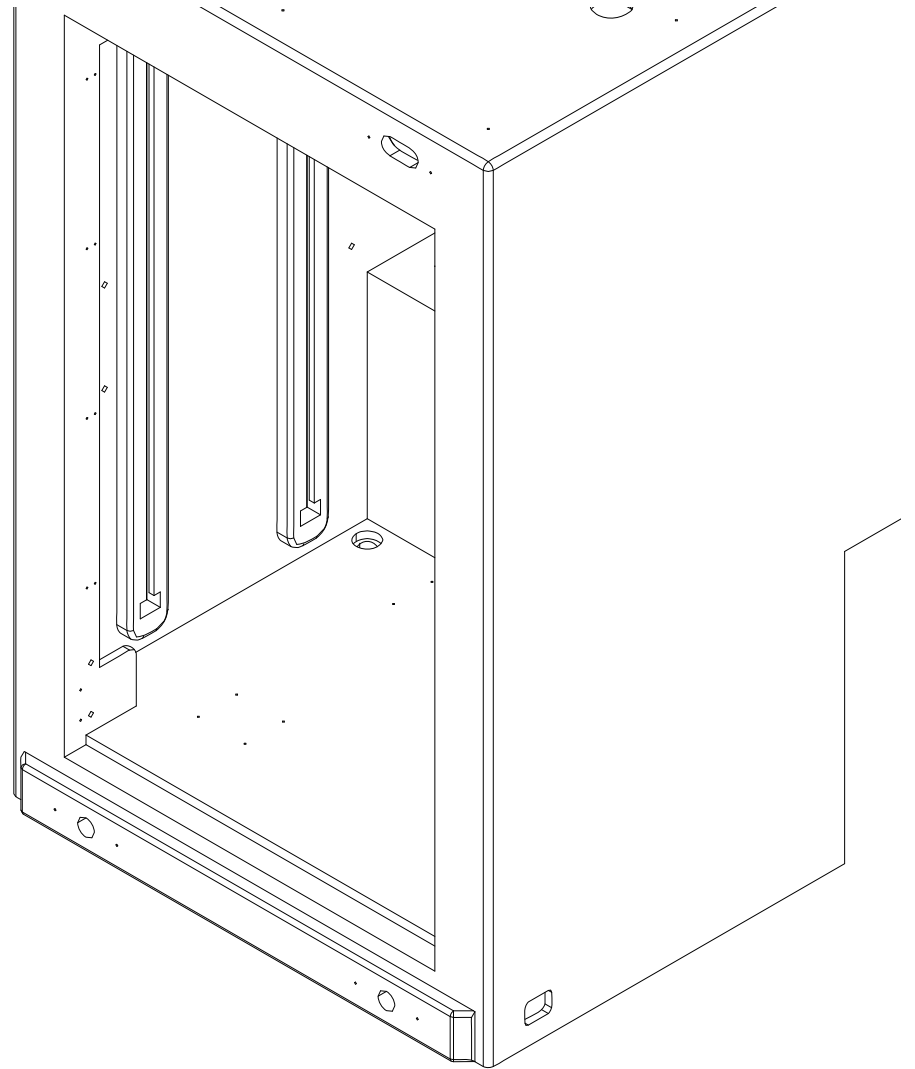
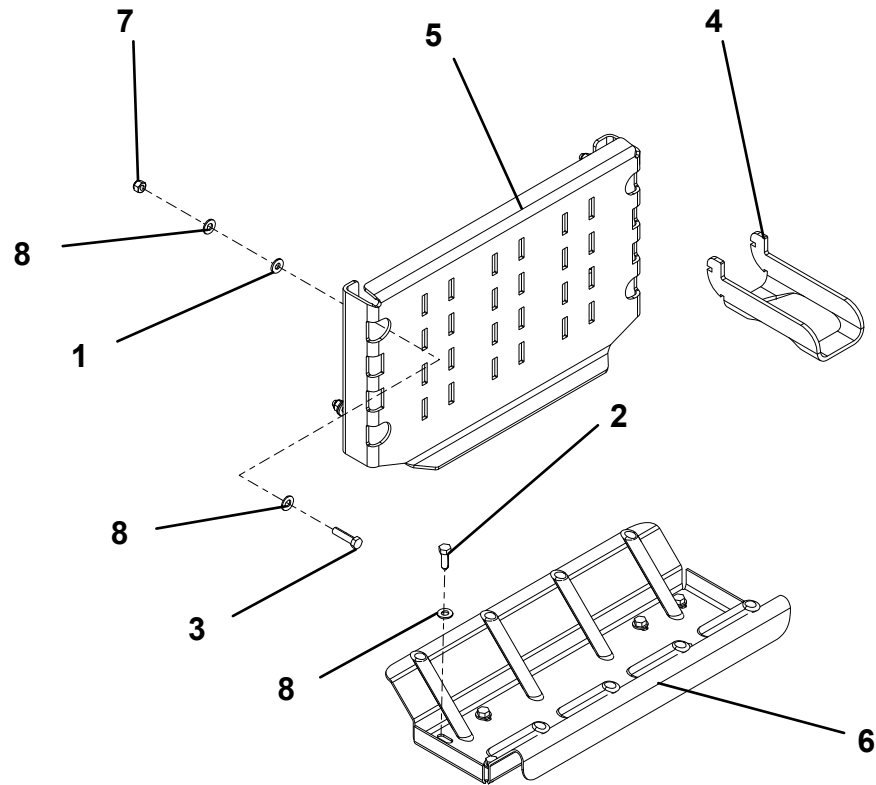
WIRELESS REMOTE HOLDER INSTALLATION



SNATCH BLOCK STORAGE INSTALLATION - TANDEM

ITEM	PART NO.	DESCRIPTION	QTY
1	1001166974	Washer, 0.38" ID	4
2	1001168545	Capscrew, 0.38" - 1.25"	8
3	1001168993	Capscrew, 0.38" - 1.50"	4
4	1001217101	Bracket, Hook Mount	4
5	1001217102	Bracket, Wall Mount	1
6	1001217103	Tray Assembly	1
7	7660162601	Locknut, 0.38" - 16NC	4
8	7950160143	Flatwasher, 0.38" ID	16

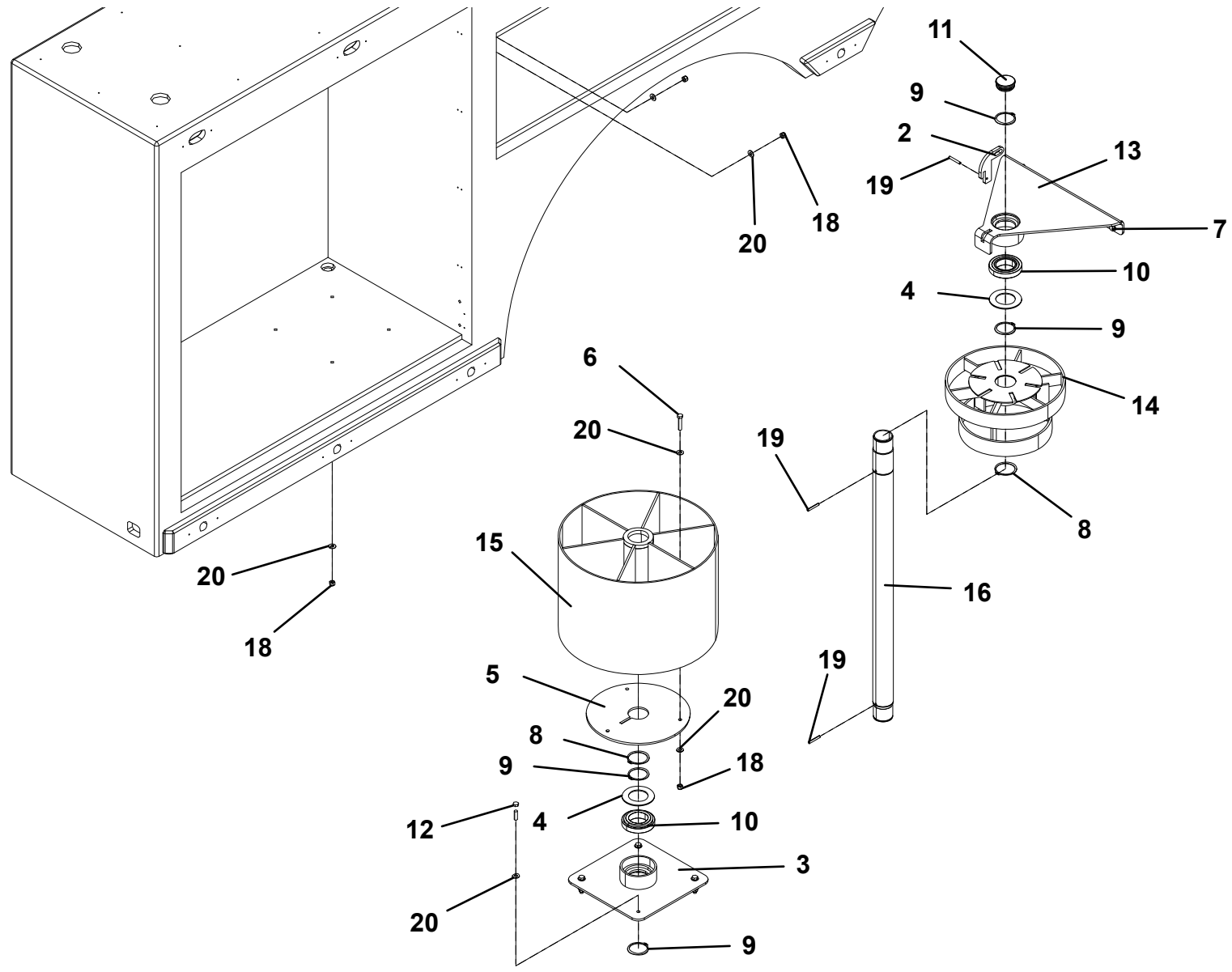
SNATCH BLOCK STORAGE INSTALLATION - TANDEM



ROTARY CHAIN STORAGE INSTALLATION

ITEM	PART NO.	DESCRIPTION	QTY
1	3020029	Grease	1
2	1001165564	Plate	1
3	1001165571	Bracket	1
4	1001165584	Plate	2
5	1001165652	Support	1
6	1001168544	Capscrew, 0.38" - 16NC x 1.75"	3
7	1001168993	Capscrew, 0.38" - 16NC x 1.50"	2
8	1001169063	Retaining Ring	2
9	1001169064	Retaining Ring	4
10	1001169076	Bearing	2
11	1001169078	Plug	1
12	1001169083	Capscrew, 0.38" - 16NC x 2.00"	4
13	1001190218	Bracket	1
14	1001190223	Bracket	1
15	1001190228	Tray	1
16	1001190265	Tube	1
17	7330000535	Decal	1
18	7660162601	Locknut, 0.38" - 16NC	9
19	7690142845	Pin	3
20	7950160143	Flatwasher, 0.38" ID	18

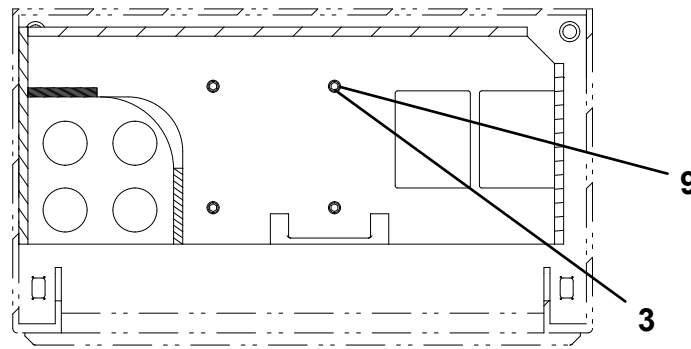
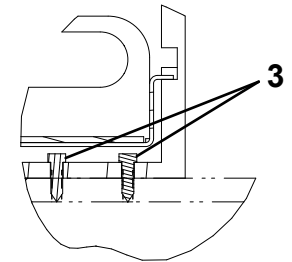
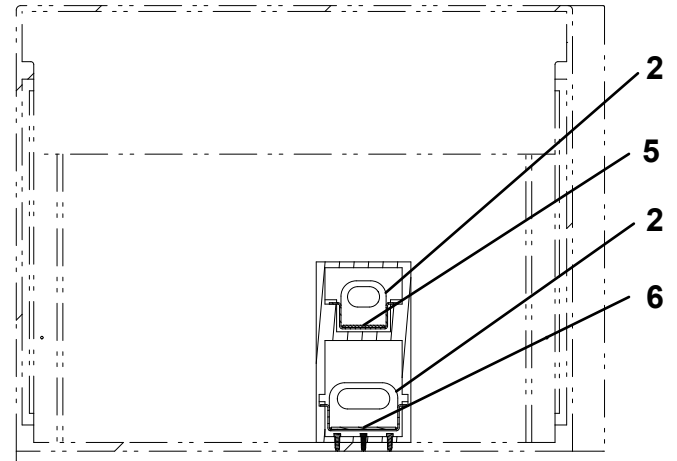
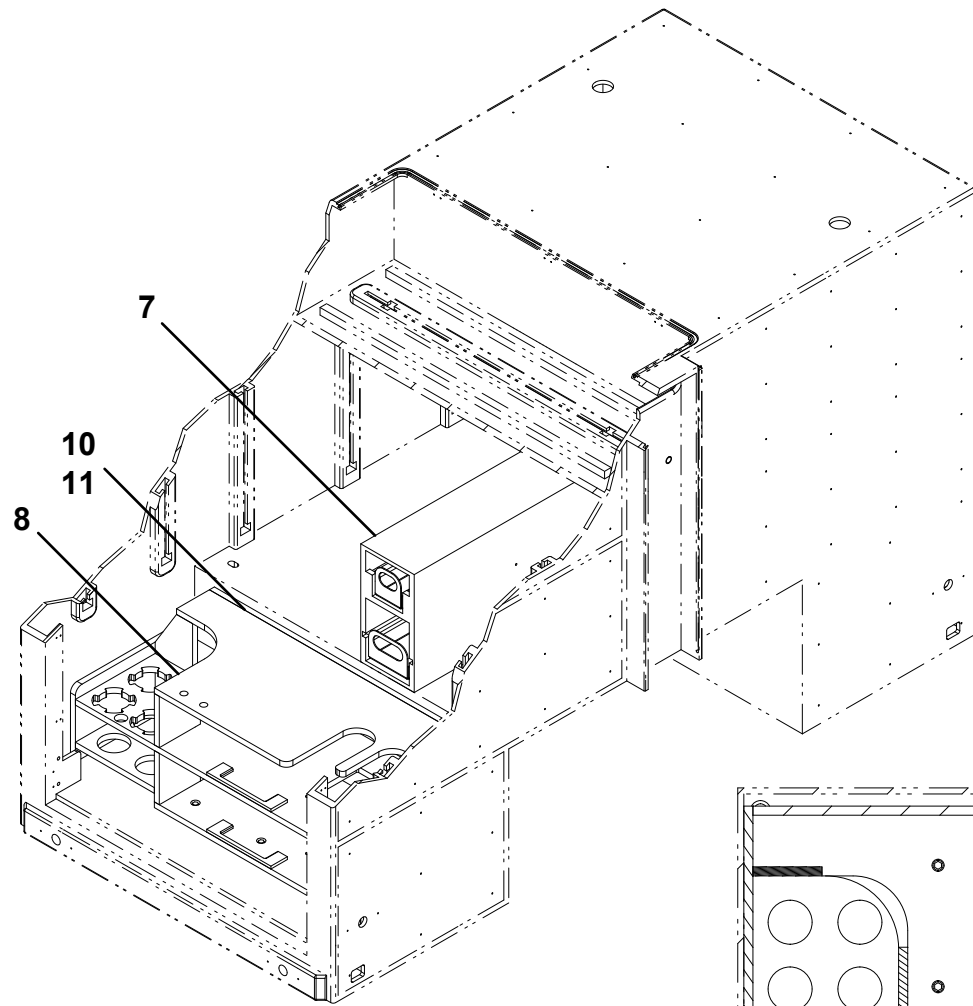
ROTARY CHAIN STORAGE INSTALLATION



TIRE LIFT STORAGE - 51" AND 49" TOOLBOX

ITEM	PART NO.	DESCRIPTION	QTY
1	1001165862	Channel, Small	1
2	1001165863	Channel, Large	1
3	1001168545	Capscrew, 0.38" x 1.25"	10
4	1001170968	Pad, Small	1
5	1001170970	Pad, Large	1
6	1001170971	Bracket	1
7	1001190409	Bus Arm Storage	1
8	7950160143	Flatwasher, 0.38" ID	4
9	1380135	Clip	1
10	390339	Screw, #6-19NC x 0.50"	1

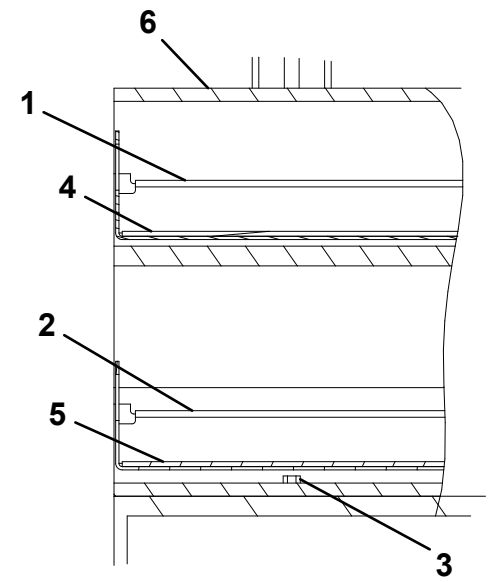
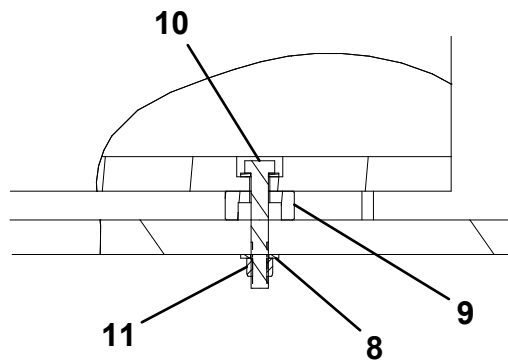
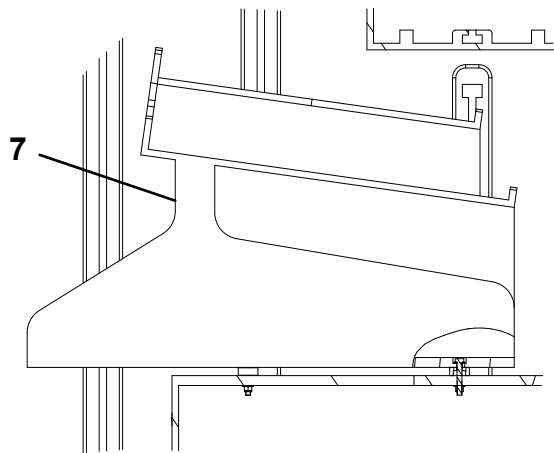
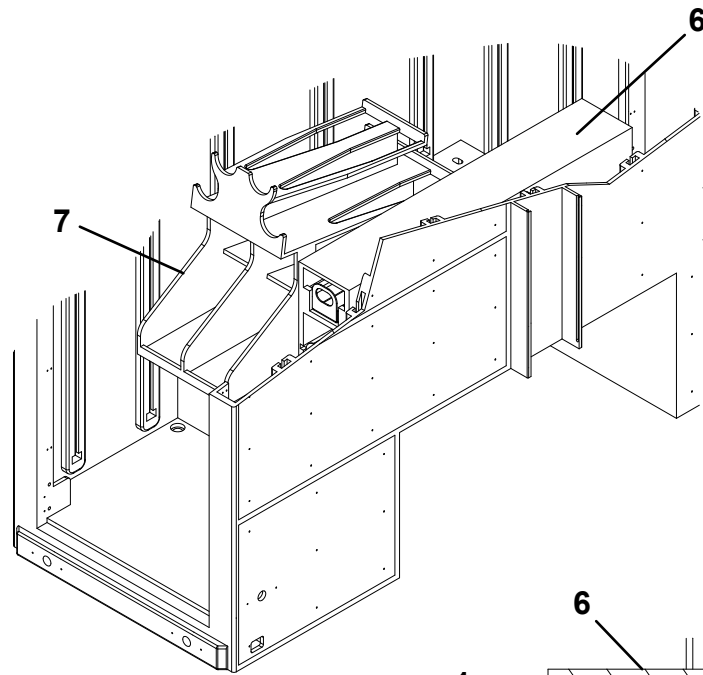
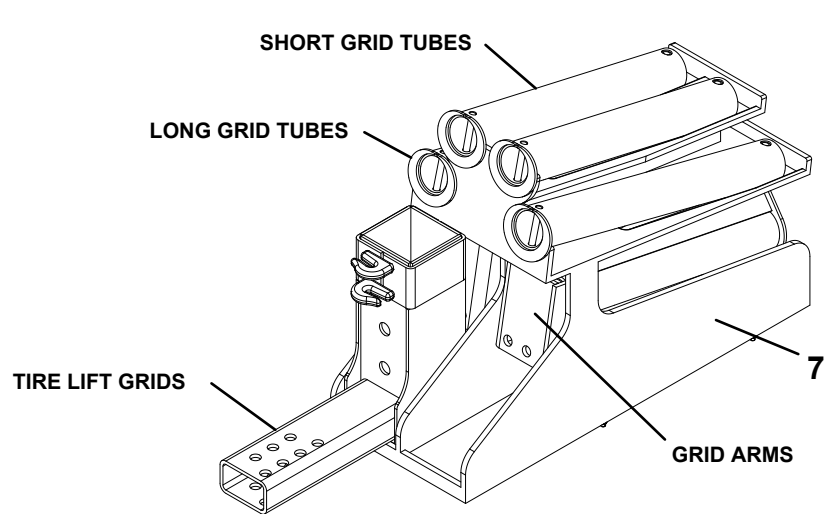
TIRE LIFT STORAGE - 51" AND 49" TOOLBOX



TIRE LIFT STORAGE - 39" AND 37" TOOLBOX

ITEM	PART NO.	DESCRIPTION	QTY
1	1001165862	Tray, Small	1
2	1001165863	Tray, Large	1
3	1001168545	Screw, 0.38" X 1.25"	4
4	1001170968	Pad, Small	1
5	1001170970	Pad, Large	1
6	1001170971	Bracket	1
7	1001192287	Storage	1
8	7950160143	Flatwasher, 0.38" ID	8
9	1001190579	Mount	4
10	7115162050	Screw, 0.38"-16NC X 2.50"	4
11	7660162601	Locknut, 0.38"-16NC	4

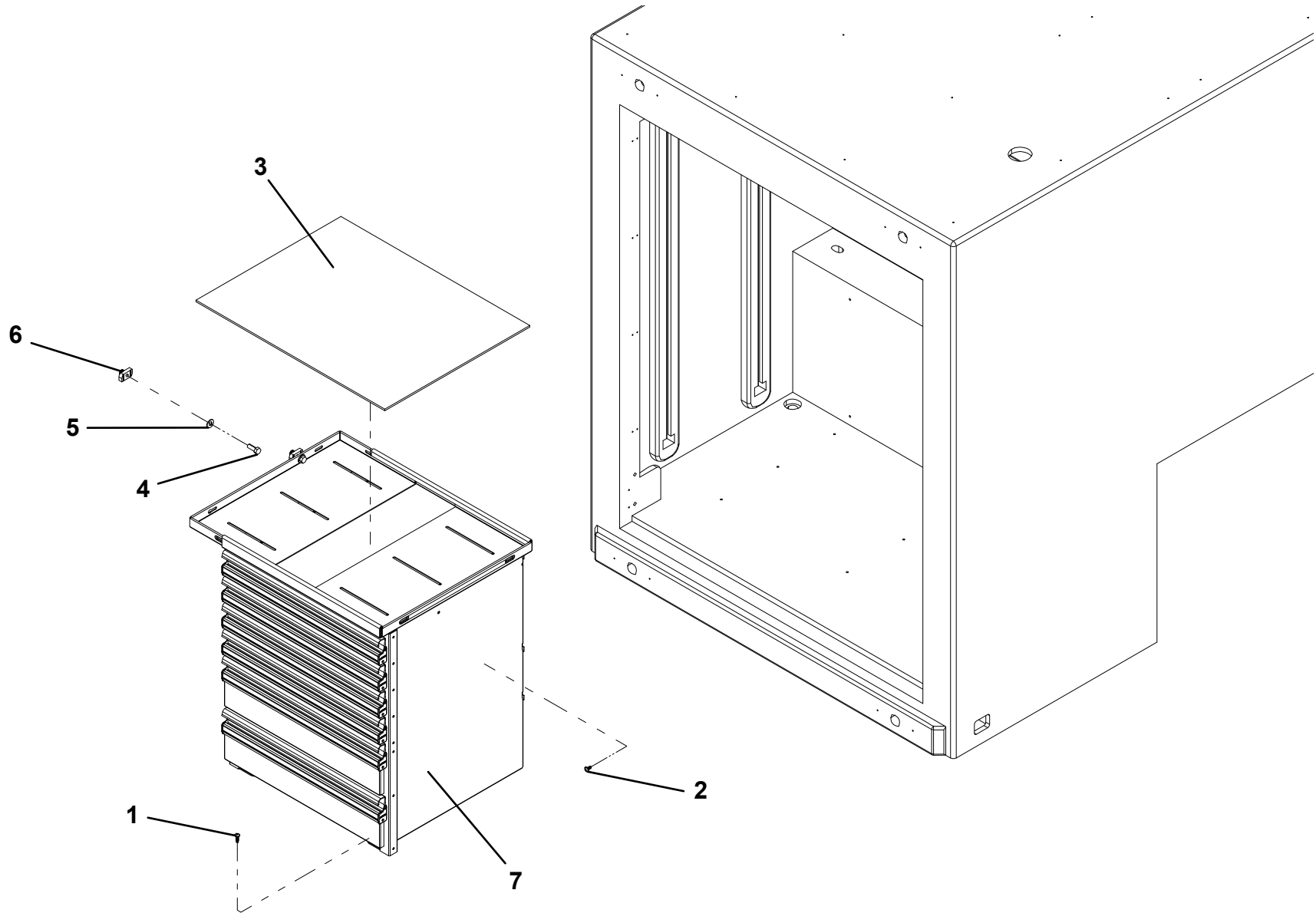
TIRE LIFT STORAGE - 39" AND 37" TOOLBOX



TOOL DRAWER INSTALLATION

ITEM	PART NO.	DESCRIPTION	QTY
1	1001183037	Nut, 0.25" - 20NC	2
2	1001194676	Screw, 0.25" x 0.75"	6
3	1001195257	Screw, 0.25 x 0.50"	4
4	1001195341	Pad	1
5	7114140818	Capscrew, 0.25" 20 x 1.00"	2
6	7950140143	Flatwasher, 0.25" ID	2
7	1001190410	Tool Box	1

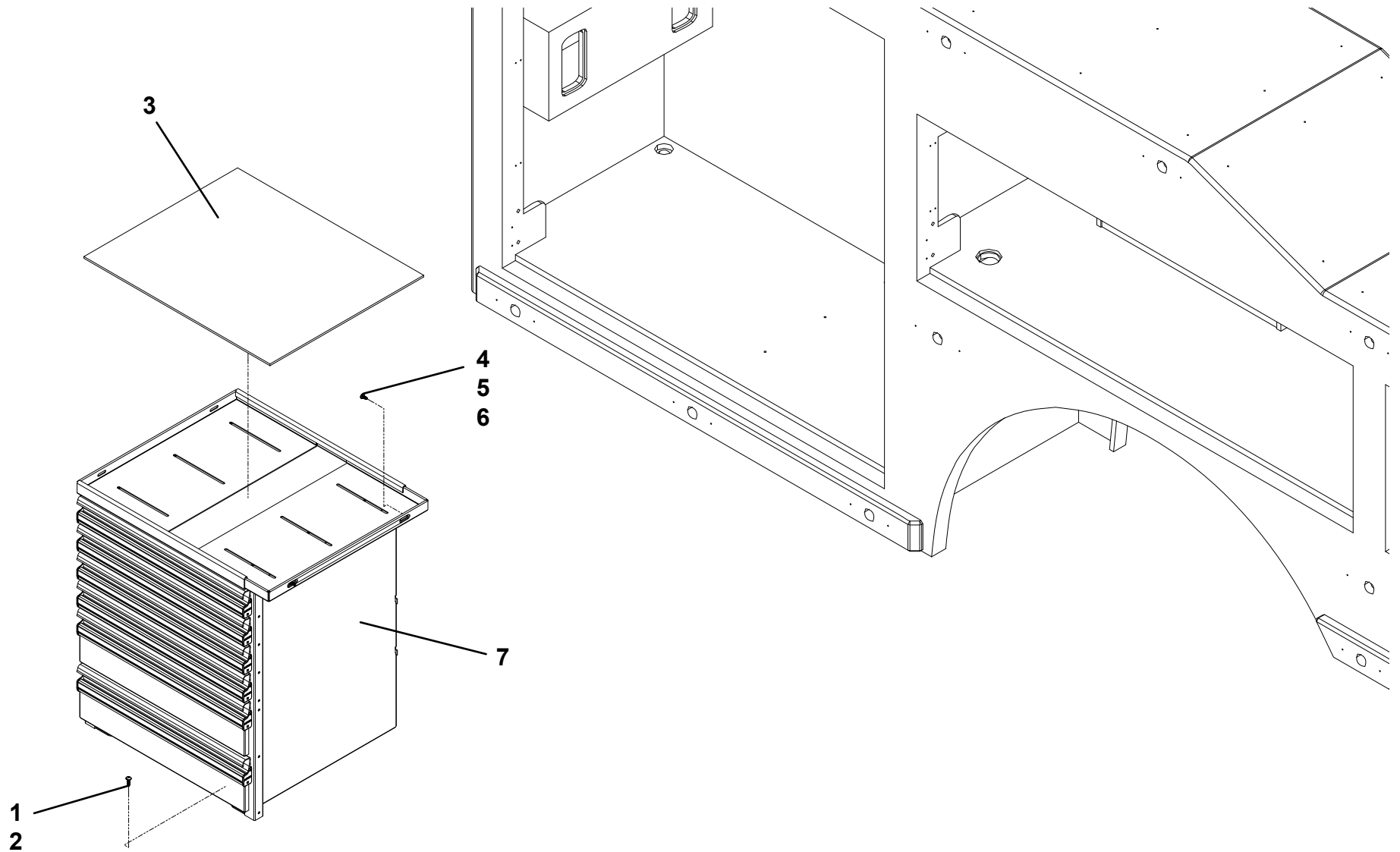
TOOL DRAWER INSTALLATION



TOOL DRAWER INSTALLATION - TANDEM

ITEM	PART NO.	DESCRIPTION	QTY
1	1001194676	Screw, 0.25" x 0.75"	6
2	1001195257	Screw, 0.25" x 0.50"	4
3	1001195341	Pad	1
4	7114140818	Capscrew, 0.25" - 20NC x 1.00"	2
5	7950140143	Flatwasher, 0.25" ID	2
6	1001183037	Nut, 0.25" - 20NC	2
7	1001190410	Tool Box	1

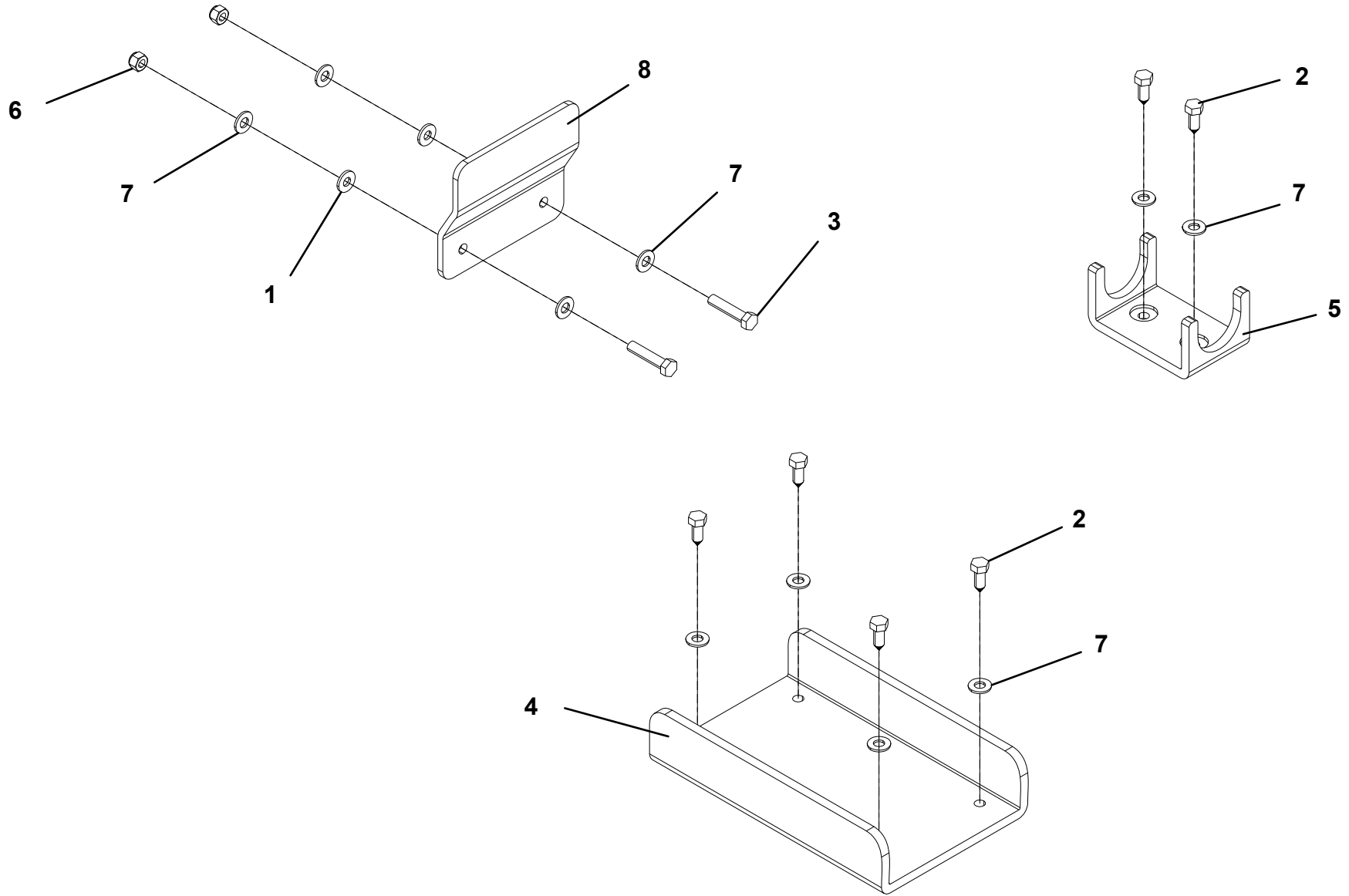
TOOL DRAWER INSTALLATION - TANDEM



FIFTH WHEEL STORAGE INSTALLATION

ITEM	PART NO.	DESCRIPTION	QTY
1	1001166974	Washer, 0.38" ID	2
2	1001168428	Capscrew, 0.38" x 1.00"	6
3	1001168544	Capscrew, 0.38" - 16NC x 1.75"	2
4	1001183001	Channel	1
5	1001191810	Bracket	1
6	7660162601	Locknut, 0.38" - 16NC	2
7	7950160143	Flatwasher, 0.38" ID	10
8	1001183002	Channel	1

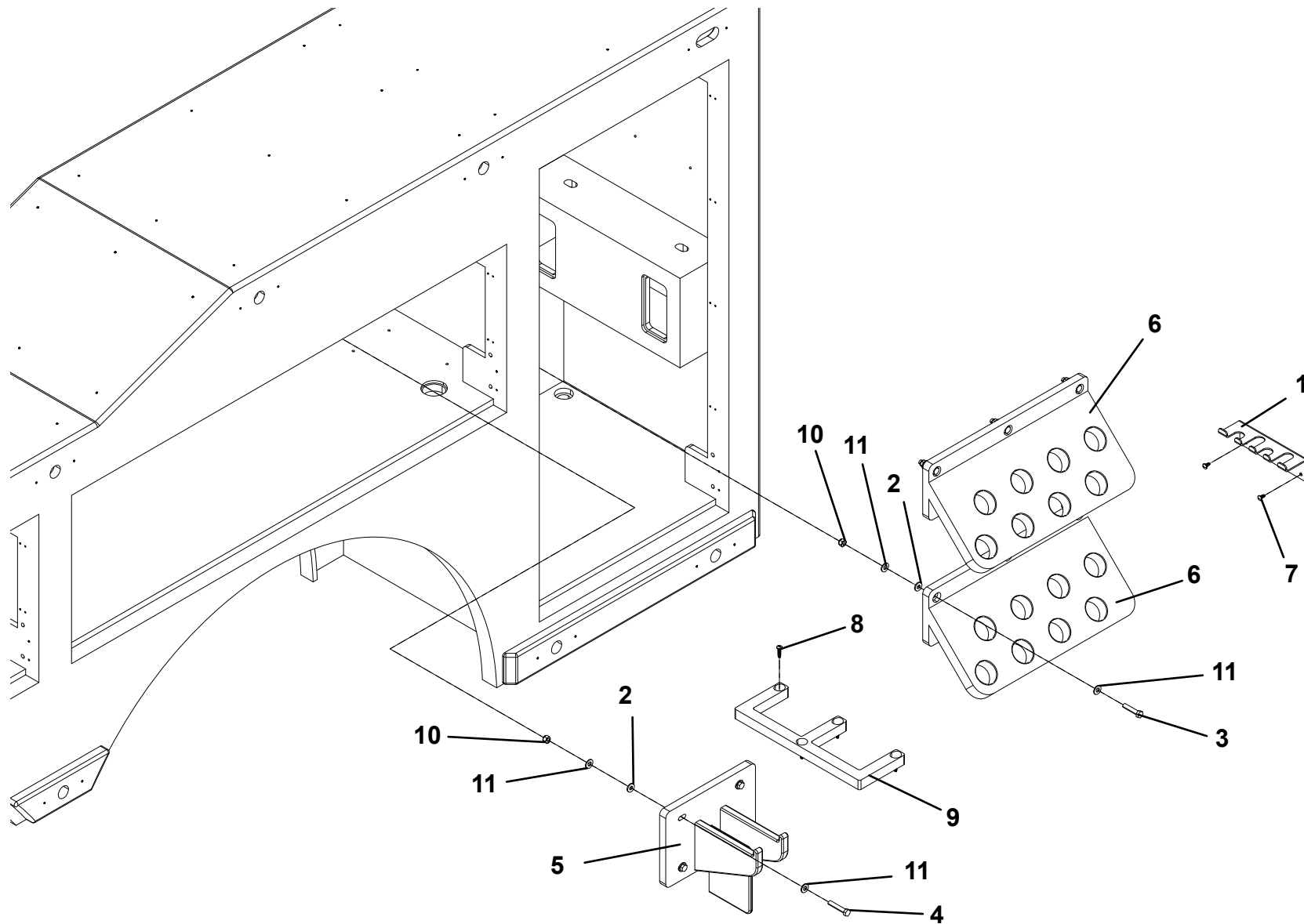
FIFTH WHEEL STORAGE INSTALLATION



FRAME FORK STORAGE INSTALLATION

ITEM	PART NO.	DESCRIPTION	QTY
1	1001160799	Bracket	1
2	1001166974	Washer, 0.38" ID	10
3	1001168544	Capscrew, 0.38" - 16NC x 1.75"	6
4	1001169083	Capscrew, 0.38" - 16NC x 2.00"	4
5	1001190926	Bracket	1
6	1001228201	Bracket	2
7	1001195257	Screw, 0.25" x 0.50"	2
8	1001195523	Screw, 0.25" x 1.00"	4
9	1001195838	Bracket	1
10	7660162601	Locknut, 0.38" - 16NC	10
11	7950160143	Flatwasher, 0.38" ID	20

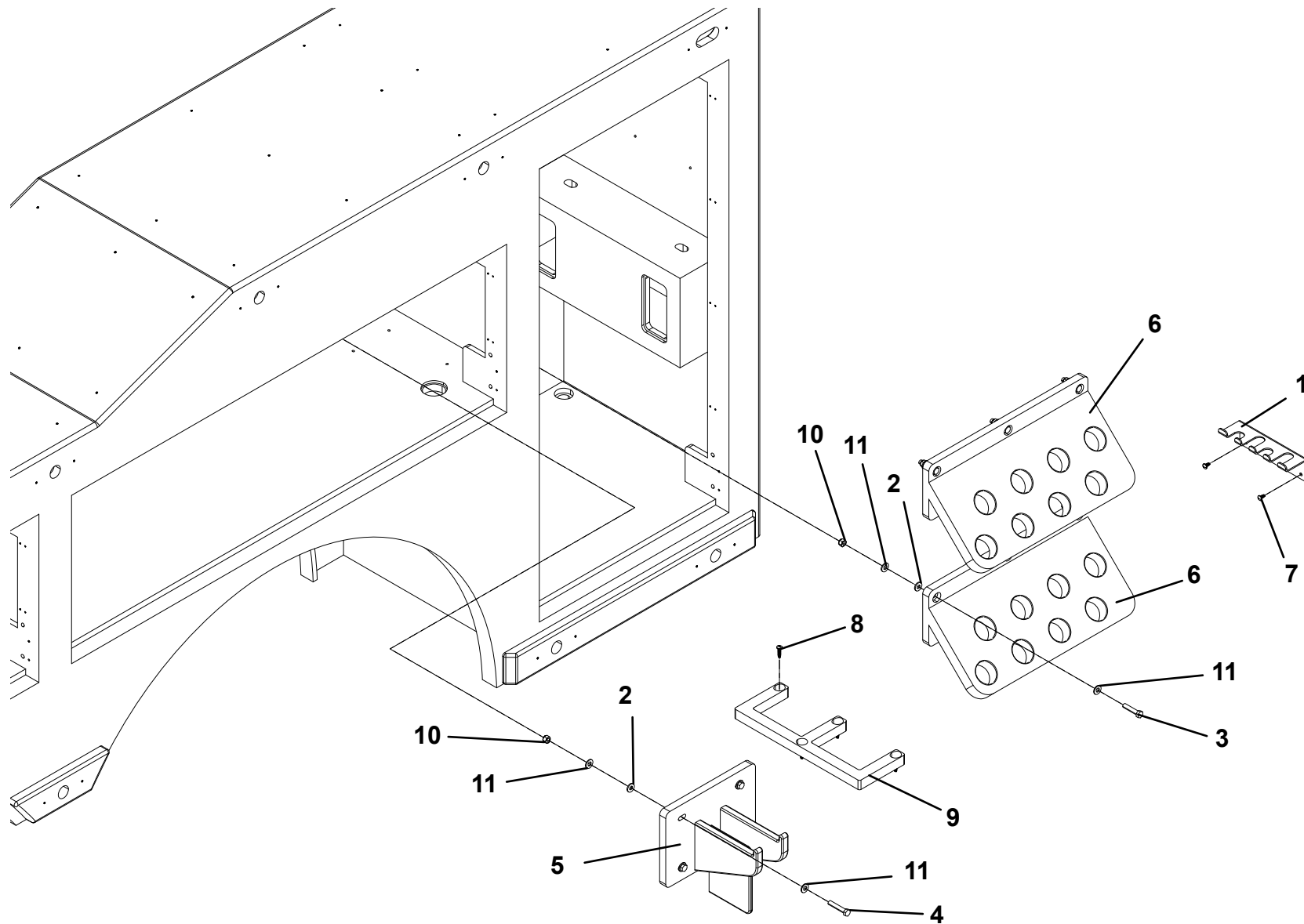
FRAME FORK STORAGE INSTALLATION



FRAME FORK STORAGE INSTALLATION

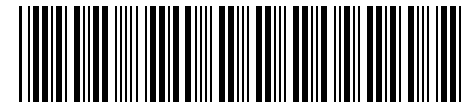
ITEM	PART NO.	DESCRIPTION	QTY
1	1001160799	Bracket	1
2	1001166974	Washer, 0.38" ID	10
3	1001168544	Capscrew, 0.38" - 16NC x 1.75"	6
4	1001169083	Capscrew, 0.38" - 16NC x 2.00"	4
5	1001190926	Bracket	1
6	1001228201	Bracket	2
7	1001195257	Screw, 0.25" x 0.50"	2
8	1001195523	Screw, 0.25" x 1.00"	4
9	1001195838	Bracket	1
10	7660162601	Locknut, 0.38" - 16NC	10
11	7950160143	Flatwasher, 0.38" ID	20

FRAME FORK STORAGE INSTALLATION





Phone (800) 926-9666



5376000205